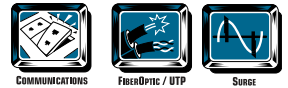


WIREMOLD



CableSmart™ Series Nonmetallic Raceway

Dual-Channel 40N2 Series Nonmetallic Raceway Systems



With its tamper-resistant design, the CableSmart 40N2 Series Raceway is ideal for schools or office settings, where greater security is a requirement. The 40N2 Series Raceway from Wiremold/Legrand offers separate channels for power and communications cabling with a single cover.



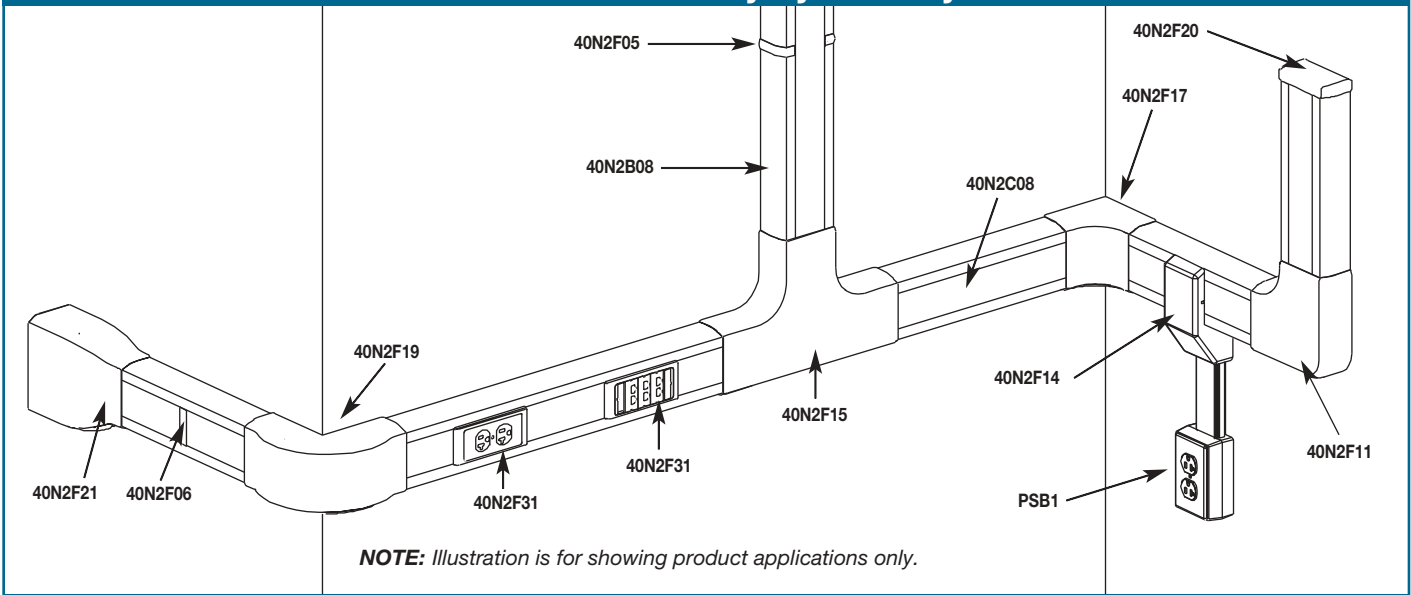
40N2 Series Raceway featuring
40N2F31 Device Bracket.

Features & Benefits

- **Extremely tamper-resistant.** Perfect for school applications or anywhere additional security is a priority.
- **FiberReady® 2" [51mm] fittings.** The FiberReady Series of fittings snap on to overlap raceway base and cover for an aesthetic installation. Fittings are cULus verified for a 2" [51mm] bend radius and exceed the recommendations of TIA/EIA-569. They provide cable protection in lay-in and pull-through cable installations.
- **Available prewired.** Manufactured to job site lengths, raceway comes completely prewired, ready to install. Jobs can be packaged by area, floor, or building and shipped per job site requirements.
- **Electrical device identification for prewired jobs.** Eliminates guesswork and circuit tracking to speed additions and renovations.
- **Pre-punched mounting holes.** Faster and easier installation.
- **New transition fitting options.** Used to transition to PN03, PN05 and PN10 Series Latching Raceways.
- **Made of PVC material.** Lightweight and easy to cut.
- **High capacity device box options.** 40N2F55 C-Box allows both power and data devices to be installed in the power channel, greatly increasing cable fill capacity for data cabling.
- **Ivory and white finish.** Blends with any decor. Paintable using latex paint.
- **Corner drop feed.** Provides solution for feeding horizontal runs of raceway.
- **Datacom connectivity options.** Accepts industry standard and proprietary devices from a wide range of manufacturers to provide a seamless and aesthetically pleasing interface for voice, data, audio, and video applications at the point of use.



40N2 Series Raceway System Layout



40N2 Series Raceway Wire Fill Capacities

40N2 RACEWAY WIRE FILL CAPACITIES FOR POWER

| | WIRE SIZE THHN/THWN | O.D. | | NUMBER OF CONDUCTORS | | MAX. NUMBER OF CONDUCTORS BOTH COMPARTMENTS |
|-------------------------------|------------------------|--------|-------|-------------------------|---------|---|
| | | Inches | [mm] | Comp. A | Comp. B | |
| Power Wiring | 14 AWG | 0.111 | [2.8] | 20 | 20 | 28 |
| | 12 AWG | 0.130 | [3.3] | 18 | 18 | 36 |
| With or Without Devices | 10 AWG | 0.164 | [4.2] | 17 | 17 | 24 |
| | 8 AWG | 0.216 | [5.5] | 15 | 15 | 20 |
| | 6 AWG | 0.254 | [6.5] | 5 | 5 | 10 |

40N2 RACEWAY WIRE FILL CAPACITIES FOR DATA/COMMUNICATIONS

| CABLE TYPE | CATEGORY/ DESIGNATION | O.D. | | Section C | Section D |
|----------------------------|--------------------------|---------------|---------|-----------|-----------|
| | | Inches | [mm] | 40% Fill* | 40% Fill* |
| UNSHIELDED TWISTED PAIR | 4-pair, 24 AWG Cat 3 | 0.190 | [4.8] | 45 | 24 |
| | 4-pair, 24 AWG Cat 5e | 0.210 | [5.3] | 37 | 19 |
| | 4-pair, 24 AWG Cat 6 | 0.250 | [6.3] | 26 | 13 |
| | 4-pair, 24 AWG Cat 6a** | 0.354 | [9.0] | 13 | 6 |
| | 25-pair, 24 AWG | 0.410 | [10.4] | 9 | 5 |
| COAXIAL | RG6/U | 0.270 | [6.9] | 22 | 11 |
| FIBER | ZipCord | 0.118 x 0.236 | [3 x 6] | 103 | 55 |
| | Round 4 Strand | 0.187 | [4.8] | 46 | 24 |
| | Round 6 Strand | 0.256 | [6.5] | 25 | 13 |

* 40% cable fill is the maximum designed cable fill based on TIA/EIA 569-A.

** Category 6 augmented (6a) cable for 10 gigabit ethernet – max allowed cable diameter per addenda No. 11 ANSI TIA/EIA 568-B.2.

TRANSITION FITTINGS TO EXISTING WIRING OR OTHER WIREMOLD RACEWAYS

| FROM | TO | CAT. NO. |
|--|---------------------------|----------|
| 1/2" or 3/4" trade size conduit or armored cable | 40N2 | 40N2F20 |
| 3/4", 1", 1 1/4" & 1 1/2" trade size conduit or armored cable | 40N2 | 40N2F21 |
| 40N2 Series Raceway | PN03, PN05, PN10, PN20 | 40N2F74 |

