

WIREMOLD

 leggrand®

CableSmart™ Series Nonmetallic Raceway

Dual-Channel 40N2 Series Nonmetallic Raceway Systems

With its tamper-resistant design, the CableSmart 40N2 Series Raceway is ideal for schools or office settings, where greater security is a requirement. The 40N2 Series Raceway from Wiremold/Legrand offers separate channels for power and communications cabling with a single cover.



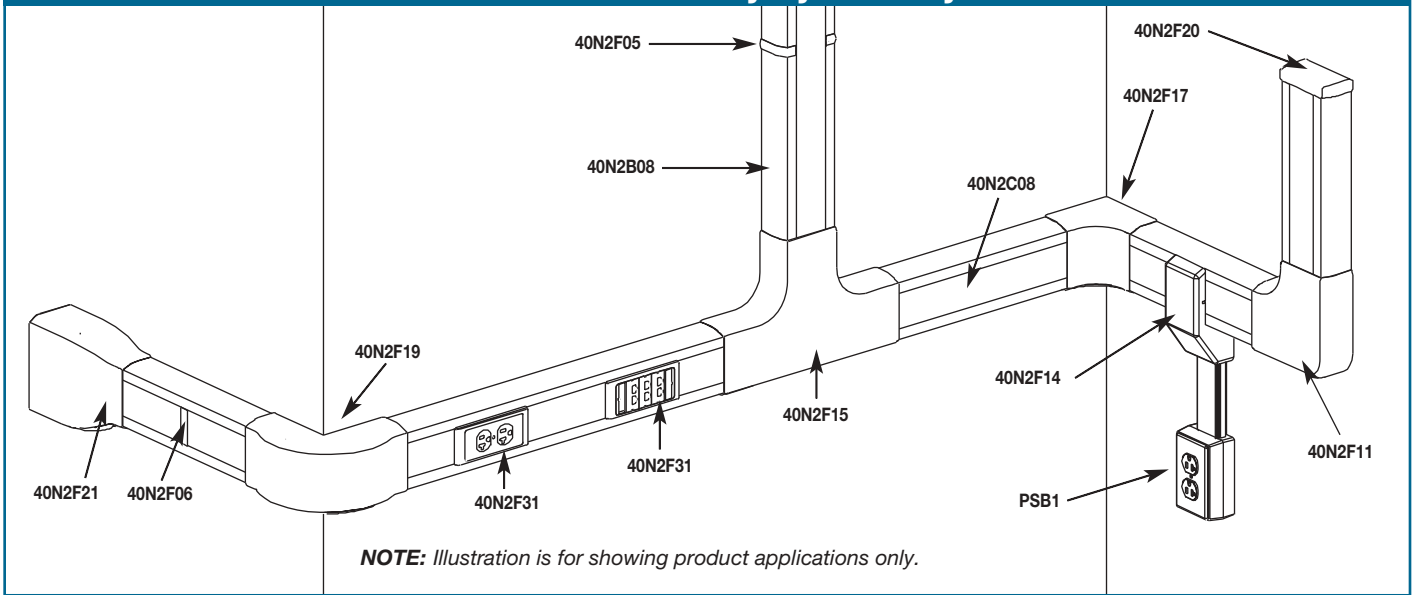
*40N2 Series Raceway featuring
40N2F31 Device Bracket.*

Features & Benefits

- **Extremely tamper-resistant.** Perfect for school applications or anywhere additional security is a priority.
- **FiberReady® 2" [51mm] fittings.** The FiberReady Series of fittings snap on to overlap raceway base and cover for an aesthetic installation. Fittings are cULus verified for a 2" [51mm] bend radius and exceed the recommendations of TIA/EIA-569. They provide cable protection in lay-in and pull-through cable installations.
- **Available prewired.** Manufactured to job site lengths, raceway comes completely prewired, ready to install. Jobs can be packaged by area, floor, or building and shipped per job site requirements.
- **Electrical device identification for prewired jobs.** Eliminates guesswork and circuit tracking to speed additions and renovations.
- **Pre-punched mounting holes.** Faster and easier installation.
- **New transition fitting options.** Used to transition to PN03, PN05 and PN10 Series Latching Raceways.
- **Made of PVC material.** Lightweight and easy to cut.
- **High capacity device box options.** 40N2F55 C-Box allows both power and data devices to be installed in the power channel, greatly increasing cable fill capacity for data cabling.
- **Ivory and white finish.** Blends with any decor. Paintable using latex paint.
- **Corner drop feed.** Provides solution for feeding horizontal runs of raceway.
- **Datacom connectivity options.** Accepts industry standard and proprietary devices from a wide range of manufacturers to provide a seamless and aesthetically pleasing interface for voice, data, audio, and video applications at the point of use.



40N2 Series Raceway System Layout



40N2 Series Raceway Wire Fill Capacities

40N2 RACEWAY WIRE FILL CAPACITIES FOR POWER

	WIRE SIZE THHN/THWN	O.D.		NUMBER OF CONDUCTORS		MAX. NUMBER OF CONDUCTORS BOTH COMPARTMENTS
		Inches	[mm]	Comp. A	Comp. B	
Power Wiring	14 AWG	0.111	[2.8]	20	20	28
	12 AWG	0.130	[3.3]	18	18	36
With or Without Devices	10 AWG	0.164	[4.2]	17	17	24
	8 AWG	0.216	[5.5]	15	15	20
	6 AWG	0.254	[6.5]	5	5	10

40N2 RACEWAY WIRE FILL CAPACITIES FOR DATA/COMMUNICATIONS

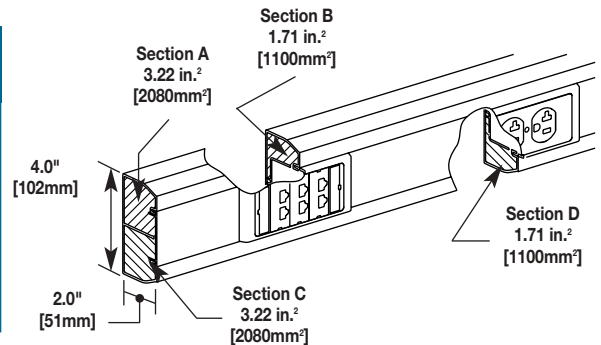
CABLE TYPE	CATEGORY/ DESIGNATION	O.D.		Section C	Section D
		Inches	[mm]	40% Fill*	40% Fill*
UNSHIELDED TWISTED PAIR	4-pair, 24 AWG Cat 3	0.190	[4.8]	45	24
	4-pair, 24 AWG Cat 5e	0.210	[5.3]	37	19
	4-pair, 24 AWG Cat 6	0.250	[6.3]	26	13
	4-pair, 24 AWG Cat 6a**	0.354	[9.0]	13	6
	25-pair, 24 AWG	0.410	[10.4]	9	5
COAXIAL	RG6/U	0.270	[6.9]	22	11
FIBER	ZipCord	0.118 x 0.236	[3 x 6]	103	55
	Round 4 Strand	0.187	[4.8]	46	24
	Round 6 Strand	0.256	[6.5]	25	13

* 40% cable fill is the maximum designed cable fill based on TIA/EIA 569-A.

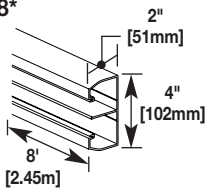
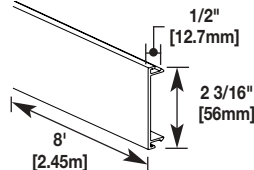
** Category 6 augmented (6a) cable for 10 gigabit ethernet – max allowed cable diameter per addenda No. 11 ANSI TIA/EIA 568-B.2.

TRANSITION FITTINGS TO EXISTING WIRING OR OTHER WIREMOLD RACEWAYS

FROM	TO	CAT. NO.
1/2" or 3/4" trade size conduit or armored cable	40N2	40N2F20
3/4", 1", 1 1/4" & 1 1/2" trade size conduit or armored cable	40N2	40N2F21
40N2 Series Raceway	PN03, PN05, PN10, PN20	40N2F74

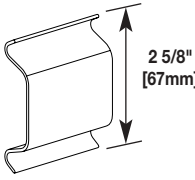
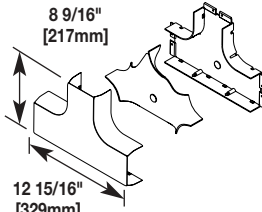
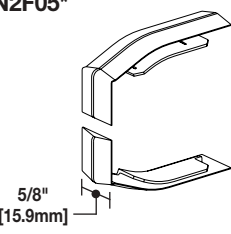
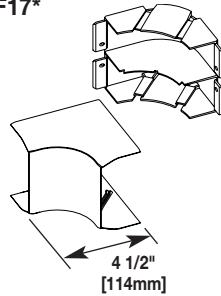
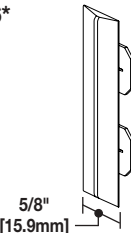
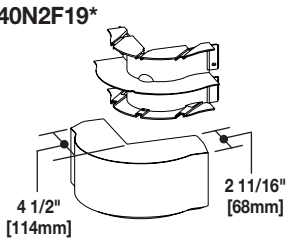
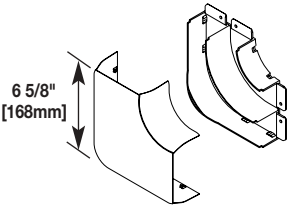
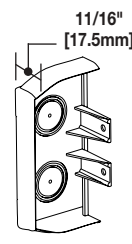


40N2 Series Raceway Profile

Catalog No./Item	Description/Specifications	Catalog No./Item	Description/Specifications
40N2B08* 	Two-Compartment Base – Two equal compartments. Use with 40N2 Cover only. 40N2B08 available in 8' [2.4m] lengths with pre-punched mounting holes.	40N2C08* 	Full Width Cover – Use with 40N2B08 Base. 40N2C08 available in 8' [2.4m] lengths.

*Add "V" suffix for Ivory finish or "WH" suffix for White finish.

40N2 Series Raceway Fittings

Catalog No./Item	Description/Specifications	Catalog No./Item	Description/Specifications
40N2FWC 	Wire Clip – Used to retain cables in raceway during installation.	40N2F15* 	2" [51mm] Bend Radius Full Capacity Tee – For branches at right angles. A full capacity tee fitting that provides separation of services and 2" [51mm] cable bend radius for UTP and fiber optic installations.
40N2F05* 	Base Clip – Covers seams between sections of 40N2 Base.	40N2F17* 	2" [51mm] Bend Radius Full Capacity Internal Elbow – A 90° internal corner with integral dividers to provide 2" [51mm] cable bend radius for UTP and fiber optic installations. Ideal for lay-in or pull-through installations.
40N2F06* 	Cover Clip – Covers seam between sections of 40N2 Cover.	40N2F19* 	2" [51mm] Bend Radius Full Capacity External Elbow – A 90° external corner with integral dividers to provide 2" [51mm] cable bend radius for UTP and fiber optic installations. Ideal for lay-in or pull-through applications.
40N2F11* 	2" [51mm] Bend Radius Full Capacity Flat Elbow – A 90° flat corner with integral dividers to provide 2" [51mm] cable bend radius for UTP and fiber optic installations. Ideal for lay-in or pull-through installations.	40N2F20* 	Blank End Fitting – Closes off raceway end runs. Can be used to feed raceway using 1/2" or 3/4" trade size conduit. Holes for conduit must be drilled. Use a step drill or other means.