



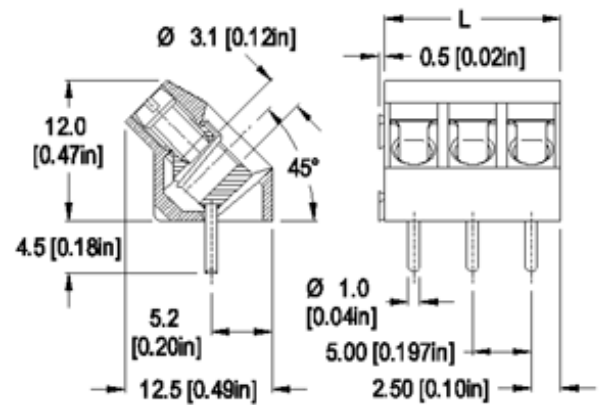
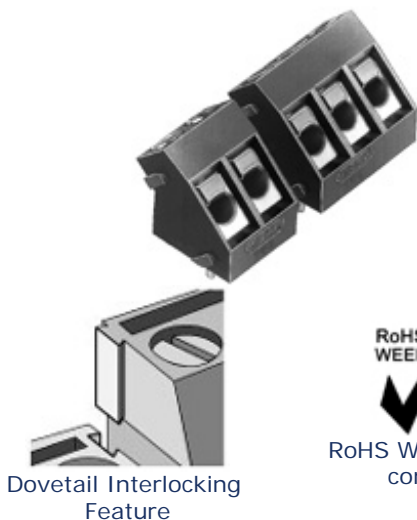
## Screw Connectors for Printed Circuit Boards

### TYPE 974-T (-DS)

5 mm spacing - 2 and 3 poles



|                        |                              |                          |                               |                              |                                      |                       |
|------------------------|------------------------------|--------------------------|-------------------------------|------------------------------|--------------------------------------|-----------------------|
| <a href="#">Series</a> | <a href="#">Download PDF</a> | <a href="#">3D Model</a> | <a href="#">Can plug with</a> | <a href="#">How to order</a> | <a href="#">Color specifications</a> | <a href="#">Print</a> |
|------------------------|------------------------------|--------------------------|-------------------------------|------------------------------|--------------------------------------|-----------------------|



Dimensions: mm (in.)

Length of Connector (L)  
L = No. of Poles x Center to Center Spacing

When locating connector, allow 0.5 mm clearance around it for process-induced variations.

### Description

Can be installed anywhere on PCB without wires or screws interfering with the rest of PCB. Can be located next to each other back-to-back, front-to-front and front-to-back. The screws and wire entries are easily visible, accessible and usable, an ergonomic advantage.

- Dovetail version
- Wire entrance at 45° angle to PC Board
- End-to-end stackable while maintaining the 5 mm spacing.
- Can be factory, field or distributor assembled to almost any length.

### Technical Data

**Center to Center Spacing:** 5 mm (0.197 in.)  
**Nominal Cross Section:**  
 2.5 mm<sup>2</sup> (3874 mils<sup>2</sup>)  
**Wire Stripping Length:** 6.5 mm (0.26 in.)  
**Recommended Hole Diameter in PC Board:**  
 1.3 mm (0.051 in.)

### Approval Information

UL File No.E69841   
 CSA File No.LR24322

| Rating | Current(A) | Voltage(V) | Application group | AWG   |
|--------|------------|------------|-------------------|-------|
| UL     | 20         | 300        | B,D               | 26-12 |
| CSA    | 15         | 300        | B,D,E             | 22-10 |

\* Version DS is CSA certified for 26-10 AWG.  
 UL: 24-26 AWG range for factory wiring only.

### Screw Tightening Torque:

UL: 4.5 lbin  
 CSA: 0.51 Nm

### International Approvals:



**Rated Impulse Withstand Voltage:** 2500 V

### Material

**Molding:** Polyamide, self extinguishing UL 94, V-0, color grey

**Temperature limits:**

**Short Time:** 140°C (284°F)

**Continuous:** RTI 105°C (221°F)

**Low Limit:** -40°C (-40°F)

**Comparative Tracking Index:** CTI > 600

**Oxygen Index Rating:** 32%

**Terminal Body:** Tin plated copper alloy

**Wire Protector:** Tin plated copper alloy

**Screw:** M3, Slotted head, zinc plated clear passivated, steel substrate

**Solder Pin:** Ø 1.0 mm (0.04 in.), Tin plated copper alloy

 [Top of page](#)

## How to order

**Item** 974-T (-DS)

**Options**

CN: Consecutive Numbering (hot stamped numbers)

SM: Special Marking (please provide sketch)

G05: Gold Plating (5 micro inches)

G30: Gold Plating (30 micro inches)

S30: Silver Plating (30 micro inches)

XXMM: Longer solder Pins up to 75 mm (3 in.)

Protruding length of pins, in millimeters:

**Note:** Plated component: terminal body

WIRE PROTECTOR:  
with: - DS

POLES:  
02 and 03

974-T

/

[Request sample](#)

[Request quote](#)

Quantity

**Accessories**

[BST Self Adhesive Marking Strips.](#)

[Consecutively numbered.](#)

[Jumper, Type 970-J1.](#)

[Jumper, Type 970-J2.](#)

[Add to shopping cart](#)