



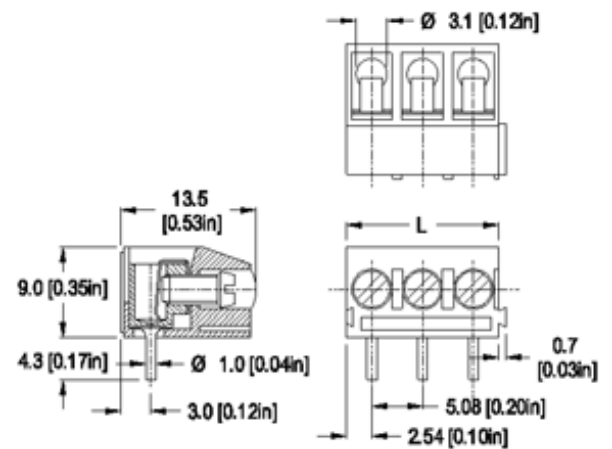
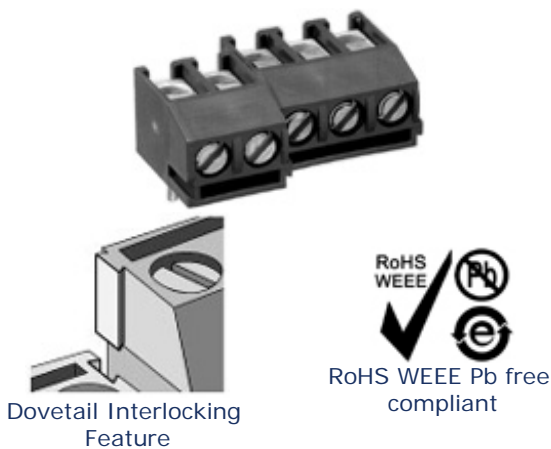
Screw Connectors for Printed Circuit Boards

TYPE 961-T (-DS)

0.2 in. spacing - 2 and 3 poles

Distributor Stock Check

Series	Download PDF	3D Model	Can plug with	How to order	Color specifications	Print
--------	--------------	----------	---------------	--------------	----------------------	-------



Description

- Dovetail version
- Wire entrance perpendicular to PC Board
- Can be factory, field or distributor assembled to almost any length

Technical Data

**Center to Center Spacing:** 5.08 mm (0.200 in.)

**Nominal Cross Section:**

2.5 mm<sup>2</sup> (3874 mils<sup>2</sup>)

**Wire Stripping Length:** 5.5 mm (0.22 in.)

**Recommended Hole Diameter in PC Board:**

1.3 mm (0.051 in.)

Approval Information

UL File No.E69841

CSA File No.LR24322

Rating	Current(A)	Voltage(V)	Application group	AWG
UL	20	300	B,D	26-12
CSA	15	300	B,D,E	22-10

\* Version DS is CSA certified for 26-10 AWG.  
UL: 24-26 AWG range for factory wiring only.

Screw Tightening Torque:

UL: 4.5 lbf·in

CSA: 0.51 Nm

International Approvals:



Rated Impulse Withstand Voltage: 2500 V

## Material

**Molding:** Polyamide, self extinguishing UL 94, V-0, color grey

**Temperature limits:**

**Short Time:** 140°C (284°F)

**Continuous:** RTI 105°C (221°F)

**Low Limit:** -40°C (-40°F)

**Comparative Tracking Index:** CTI > 600

**Oxygen Index Rating:** 32%

**Terminal Body:** Tin plated copper alloy

**Wire Protector:** Tin plated copper alloy

**Screw:** M3, Slotted head, zinc plated blue passivated, steel substrate

**Solder Pin:** Ø 1.0 mm (0.04 in.), Tin plated copper alloy

 [Top of page](#)

## How to order

**Item** 961-T (-DS)

### Options

CN: Consecutive Numbering (hot stamped numbers)

SM: Special Marking (please provide sketch)

PS: Clear Chromate Passivated, zinc plated, Steel Screws

WG: Wire Guide

G05: Gold Plating (5 micro inches)

G30: Gold Plating (30 micro inches)

S30: Silver Plating (30 micro inches)

BS: Copper Alloy Screw

**Note:** Plated component: terminal body

WIRE PROTECTOR:  
with: - DS

POLES:  
02 and 03

961-T

/

[Request sample](#)

[Request quote](#)

Quantity

### Accessories

[BST Self Adhesive Marking Strips.](#)

[Consecutively numbered.](#)

[Jumper, Type 970-J1.](#)

[Jumper, Type 970-J2.](#)

[Add to shopping cart](#)