



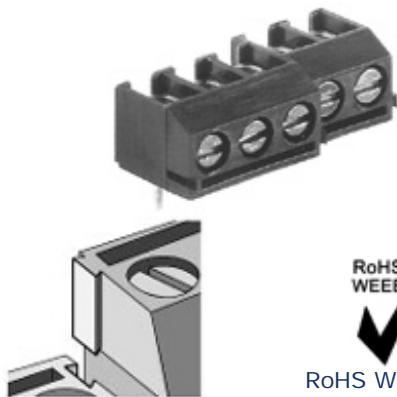
Screw Connectors for Printed Circuit Boards

TYPE 951-T (-DS)

5 mm spacing - 2 and 3 poles

[Distributor Stock Check](#)

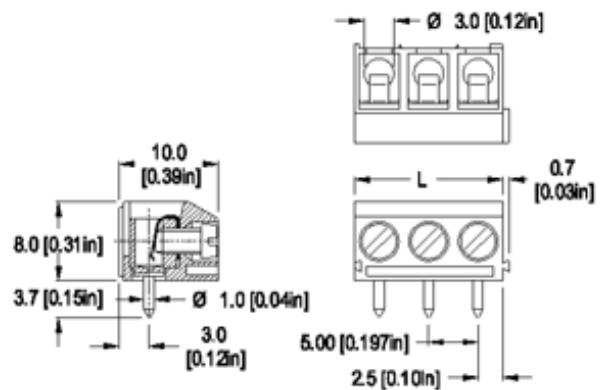
Series	Download PDF	3D Model	Can plug with	How to order	Color specifications	Print
------------------------	------------------------------	--------------------------	-------------------------------	------------------------------	--------------------------------------	-----------------------



Dovetail Interlocking Feature



RoHS WEEE Pb free compliant



Dimensions: mm (in.)

Length of Connector (L)

L = No. of Poles x Center to Center Spacing

When locating connector, allow 0.5 mm clearance around it for process-induced variations.

Description

- Dovetail version
- low profile
- Wire entrance perpendicular to PC Board
- Can be factory, field or distributor assembled to almost any length

Technical Data

Center to Center Spacing: 5 mm (0.197 in.)

Nominal Cross Section:

1.5 mm² (2325 mils²)

Wire Stripping Length: 5 mm (0.197 in.)

Recommended Hole Diameter in PC Board:

1.3 mm (0.051 in.)

Approval Information

UL File No.E69841

CSA File No.LR24322



Rating	Current(A)	Voltage(V)	Application group	AWG
UL	15	300	B	26-14
CSA	15	300	B	26-12

* Version DS is CSA certified for 26-14 AWG.

Screw Tightening Torque:

UL: 3.5 lbf·in

CSA: 0.4 Nm

International Approvals:



Rated Impulse Withstand Voltage: 2500 V

Material

Molding: Polyamide, self extinguishing UL 94, V-0, color grey

Temperature limits:

Short Time: 140°C (284°F)

Continuous: RTI 105°C (221°F)

Low Limit: -40°C (-40°F)

Comparative Tracking Index: CTI > 600

Oxygen Index Rating: 32%

Terminal Body: Tin plated copper alloy

Wire Protector: Tin plated copper alloy

Screw: M2.6, Slotted head, zinc plated blue passivated, steel substrate

Solder Pin: Ø 1.0 mm (0.04 in.), Tin plated copper alloy

 [Top of page](#)

How to order

Item 951-T (-DS)

Options

CN: Consecutive Numbering (hot stamped numbers)

SM: Special Marking (please provide sketch)

BS: Copper Alloy Screw

PS: Clear Chromate Passivated, zinc plated, Steel Screws

G05: Gold Plating (5 micro inches)

G30: Gold Plating (30 micro inches)

S30: Silver Plating (30 micro inches)

Note: Plated component: terminal body

951-T

WIRE PROTECTOR:
with: - DS

POLES:
2 and 3

/

[Request sample](#)

[Request quote](#)

Quantity

Accessories

[BST Self Adhesive Marking Strips.](#)

[Consecutively numbered.](#)

[Jumper, Type 970-J1.](#)

[Add to shopping cart](#)