



Plug-in Screw Connector System for Printed Circuit Boards

TYPE 950-NLFL-DS

5 mm spacing - 2 to 12 poles



Distributor Stock Check

Series	Download PDF	3D Model	Can plug with	How to order	Color specifications	Print
--------	--------------	----------	---------------	--------------	----------------------	-------



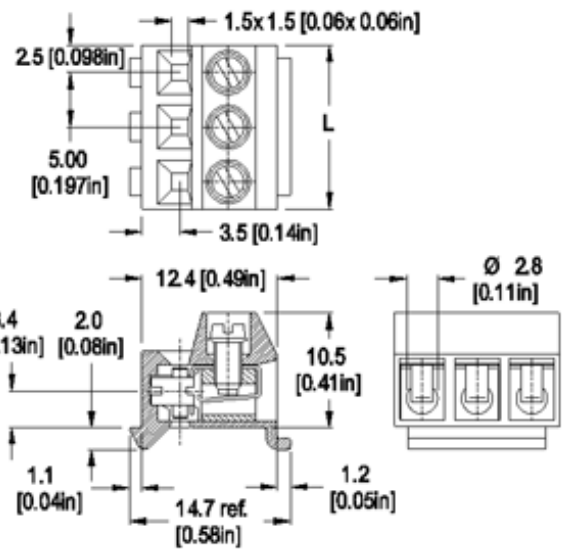
950-NLFL-DS



One possible variation of assembly



RoHS WEEE Pb free compliant



Dimensions: mm (in.)

Length of Connector (L)

L = No. of Poles x Center to Center Spacing

When locating connector, allow 0.5 mm clearance around it for process-induced variations.

Approval Information

UL File No.E69841

CSA File No.LR24322



Rating	Current(A)	Voltage(V)	Application group	AWG
UL	10	300	B	26-14
CSA	10	300	B,D,E	26-14

Screw Tightening Torque:

UL: 3.5 lbf·in

CSA: 0.4 Nm

Rated Impulse Withstand Voltage: 2500 V

Description

Material

This two piece connector was designed for the HVAC industry, and allows external wiring to be connected to type 950-NLFL-DS which is mounted to a slot in the base plate by means of a locking foot. The cover is equipped with type 971-SLK pinstrip which is soldered to a printed circuit board. Contact is made when the cover and base plate are assembled.

- Plug
- Plug-In Direction Perpendicular to PCB and Wire Entrance Parallel to PCB when plugged with **971-SLK /-SLS /-SLW, 971-SLK-SMD, 971-SLK-THR, 971-SLK-CPL, 971-SLT-SMD**
- With locking foot.
- This product can be assembled to the baseplate maintaining 5 mm center-to-center spacing. Thus any number of poles can end-to-end stack.

Technical Data

Center to Center Spacing: 5 mm (0.197 in.)

Nominal Cross Section:

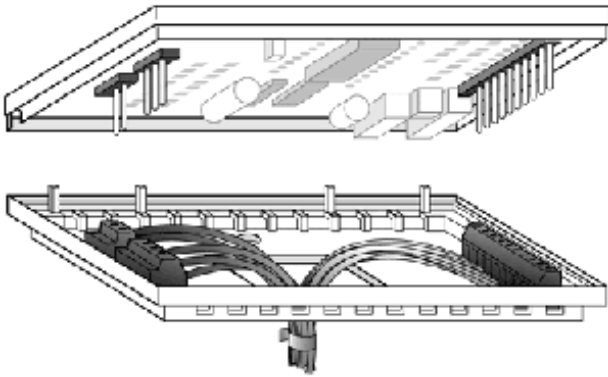
1.5 mm² (2325 mils²)

Wire Stripping Length: 6 mm (0.25 in.)

Application

For information and instructions on the design of the footprint and cutouts for the base design please contact WECO. For the design of the interaction between the PCB mounted pinstrip, the cover and the baseplate mounted plug please contact WECO.

Illustration



[▲
Top of page](#)

Molding: Polyamide, self extinguishing UL 94, V-0, color black

Temperature limits:

Short Time: 140°C (284°F)

Continuous: RTI 105°C (221°F)

Low Limit: -40°C (-40°F)

Comparative Tracking Index: CTI > 600

Oxygen Index Rating: 32%

Terminal Body: Nickel plated copper alloy

Wire Protector: Tin plated copper alloy

Screw: M2.6, Slotted head, zinc plated blue passivated, steel substrate

[How to order](#)