

## Euro-Style Terminal Blocks

### TYPE 2-DIN-46284-ST (-HDS)

13 mm spacing - 2 poles

[Inventory Check](#)

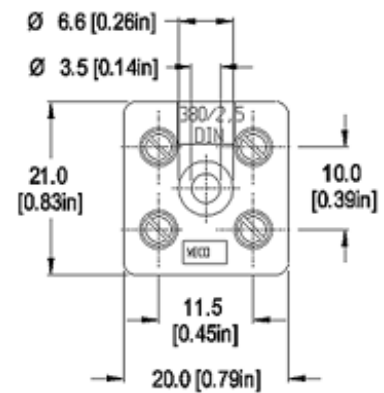
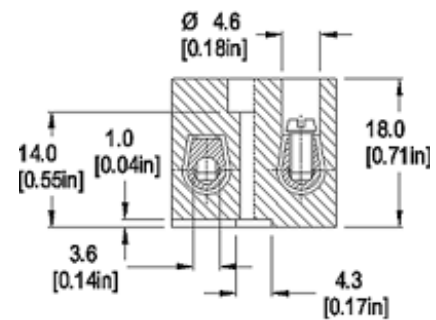
<a href="#">Series</a>	<a href="#">Download PDF</a>	<a href="#">3D Model</a>	<a href="#">Can plug with</a>	<a href="#">How to order</a>	<a href="#">Print</a>
------------------------	------------------------------	--------------------------	-------------------------------	------------------------------	-----------------------



2-DIN-46284-ST



RoHS WEEE Pb free compliant



Dimensions: mm (in.)

Length of Connector (L)

L = 20 (0.79) 2 pole / 34 (1.33) 3 pole

**When locating connector, allow 0.5 mm clearance around it for process-induced variations.**

## Description

The porcelain molding for these terminal blocks was designed to provide excellent resistance to high temperatures and the ability to allow high current voltage ratings.

The DIN-46284 standard pertains to two- and three-pole appliance terminals with 380V AC and 440V DC. They are supplied with a stainless steel wire protector to prevent damage to stranded wiring.

Recommended mounting hardware: M4 cheese head screw (#8-32 fillister head screw)

- Ceramic Terminal Block
- Medium Duty
- With Clamping Screws
- With Mounting Holes

## Technical Data

**Center to Center Spacing:** 13 mm (0.512 in.)

**Nominal Cross Section:**

2.5 mm<sup>2</sup> (3874 mils<sup>2</sup>)

**Wire Stripping Length:** 7 mm (0.28 in.)

## Approval Information

CSA File No. LR24322

Rating	Current(A)	Voltage(V)	Application group	AWG
UL				
CSA	20	300	B,C,D,E	18-12

**Screw Tightening Torque:**  
4.5

**International Approvals:**



[Top of page](#)

## Material

**Molding:** Glazed porcelain KER 111, DIN 40685, color white

**Temperature upper limit:** 200°C (392°F)

**Terminal Body:** Nickel plated brass

**Wire Protector:** Stainless steel

**Screw:** M3, Zinc plated blue passivated, steel substrate

## How to order

**Item** 2-DIN-46284-ST (-HDS)

### Options

BS: Brass Screws

G05: Gold Plating (5 micro inches)

G30: Gold Plating (30 micro inches)

S30: Silver Plating (30 micro inches)

**Ordering Note:** Plated component: terminal body For 3-pole version see part #3-DIN-46284-ST

WIRE PROTECTOR:  
with: - HDS

2 -DIN-46284-ST

[Request sample](#)

[Request quote](#)

Quantity

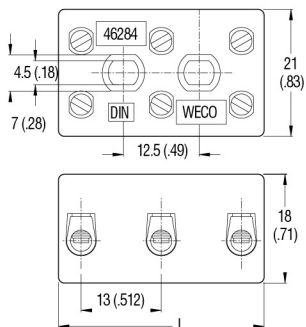
### Accessories

[Add to shopping cart](#)

Series DIN-46284-ST

Type DIN-46284-ST (-HDS)

13 mm spacing • 2 and 3 poles



Dimensions: mm (in.) When locating connector, allow 0.5 mm clearance around it for process-induced variations. Length of Connector (L) L = 20 (0.79) 2 pole / 34 (1.33) 3 pole

DESCRIPTION

The porcelain molding for these terminal blocks was designed to provide excellent resistance to high temperatures and the ability to allow high current voltage ratings.

The DIN-46284 standard pertains to two- and three-pole appliance terminals with 380 V AC and 440 V DC They are supplied with a stainless steel wire protector to prevent damage to stranded wiring.

Recommended mounting hardware: M4 cheese head screw (#8-32 fillister head screw).

TECHNICAL DATA

Center to Center Spacing: 13 mm (0.512 in.) Wire Stripping length: 7 mm (0.28 in.)  
Nominal Cross Section: 2.5 mm<sup>2</sup> (3874 mils<sup>2</sup>)

APPROVAL INFORMATION

	Rating	Current (A)	Voltage (V)	AWG	Application Group	Screw Tightening Torque
File No.: LR24322	CSA	20	300	18-12	B,C,D,E	max. 0.51 Nm
International Approvals:						

MATERIAL

MOLDING: Porcelain KER 111, DIN 40685, white  
TEMPERATURE LIMITS: Upper Temperature Limit: 200°C (392°F)  
Terminal Body: nickel plated brass  
Wire Protector: stainless steel  
Screw: yellow chromate passivated, zinc plated, steel, M3

OPTIONS See How to Order. If more than one option is required, please separate each option with a dash (-).

BS: Brass Screws  
G05: Gold Plating (5 micro inches)  
G30: Gold Plating (30 micro inches)

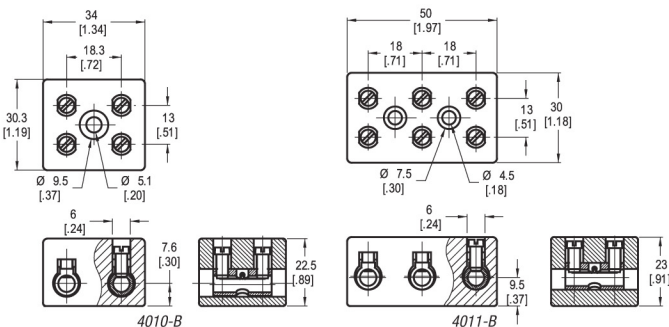
HOW TO ORDER

POLES:	WIRE PROTECTOR:	OPTIONS:
2 and 3	with: - HDS	BS, G05, G30, S30
<b>-DIN-46284-ST</b>		

Series 401-B

Type 4010-B /4011-B (-HDS)

18 mm and 20 mm spacing • 2 and 3 poles



Dimensions: mm (in.) When locating connector, allow 0.5 mm clearance around it for process-induced variations. Length of Connector (L) L = 35 (1.38) 2 pole / 50 (1.97) 3 pole

DESCRIPTION

The porcelain molding for these terminal blocks was designed to provide excellent resistance to high temperatures and the ability to allow high current voltage ratings.

Series 401-B can accept up to 61 amperes at 500 volts because of its 18 mm spacing and heavy duty metal components. 4010-B: recommended mounting hardware: M5 cheese head screw (#10-24 fillister head screw), 4011-B: recommended mounting hardware: M4 cheese head screw (#8-32 fillister head screw).

TECHNICAL DATA

Center to Center Spacing: 18 mm (0.71 in.) for three poles - 20 mm (0.79 in.) for two poles  
Wire Stripping length: 9 mm (0.35 in.)  
Nominal Cross Section: 10 mm<sup>2</sup> (15498 mils<sup>2</sup>)  
Recommended operating current voltage and wire range: 500 V (maximum load at 40°C (104°F) ambient temperature)

APPROVAL INFORMATION

	Rating	Current (A)	Voltage (V)	AWG	Application Group	Screw Tightening Torque
File No.: E69841	UL	50	600	14-8	B,C,D	max. 10 lbf.in.
International Approvals:						

MATERIAL

MOLDING: Porcelain KER 111, DIN 40685, white  
TEMPERATURE LIMITS: Upper Temperature Limit: 200°C (392°F)  
Terminal Body: nickel plated brass  
Wire Protector: stainless steel  
Screw: yellow chromate passivated, zinc plated, steel, M4

OPTIONS See How to Order. If more than one option is required, please separate each option with a dash (-).

G05: Gold Plating (5 micro inches)  
G30: Gold Plating (30 micro inches)  
S30: Silver Plating (30 micro inches)  
Note: Plated component: terminal body

HOW TO ORDER

POLES:	WIRE PROTECTOR:	OPTIONS:
2 poles: 0 3 poles: 1	with: - HDS	G05, G30, S30
<b>401 -B</b>		