

8-Wire eurofast® Cordsets, "C" Style Medium Plug Body

- Straight Male Connector
- NEMA 1, 3, 4, 6P and IEC IP 68 Protection
- 60 VAC/75 VDC, 2 A



Housing Style	Part Number	Cable	Features	Pinout
 	RSC 8.6T-*	AWM PVC Black 6x24 AWG Foil/Drain 105°C 5.7 mm OD Cable #RF50845-*M†	<i>flexlife</i> ®, for <i>picofast</i> 4-port <i>multibox</i>	1. WH 2. GN 3. YE 4. GY 5. BN 6. N/C 7. BU 8. N/C
	RSC 8T-*	AWM PVC Grey 8x24 AWG 105°C 5.7 mm OD Cable #RF50753-*M†	<i>flexlife</i>	
	RSC 8T-*/S715	AWM PVC Yellow 8x24 AWG 105°C 5.7 mm OD Cable #RF50884-*M†		
	RSC 8T-*/S90	AWM PUR Grey 8x24 AWG 105°C 5.7 mm OD Cable #RF50984-*M†	<i>Cut/Abrasion Immune</i>	1. WH 2. BN 3. GN 4. YE 5. GY 6. PK 7. BU 8. RD
	RSC 8T-*/S101	AWM TPE Grey 8x24 AWG 105°C 5.7 mm OD Cable #RF50911-*M†	<i>flexlife-10, High Flex Over 10 Million Cycles</i>	
	RSC 8T-*/S618	AWM PVC Grey 8x24 AWG Foil/Drain 105°C 5.7 mm OD Cable #RF50815-*M†		
	RSC 8T-*/S1555	AWM PVC Black 7x24 AWG Foil/Drain 105°C 6.0 mm OD Cable #RF50761-*M†	<i>RFI/EMI Shielding</i>	1. WH 2. BN 3. GN 4. YE 5. GY 6. PK 7. BU 8. Drain
	RSC 8.8T-*	AWM PVC Grey 8x24 AWG 105°C 5.7 mm OD Cable #RF50753-*M†	<i>flexlife</i>	1. WH 2. GN 3. YE 4. GY 5. BN 6. PK 7. BU 8. RD

\* Length in meters. Standard cable lengths are 2, 4, 6, 8 and 10 meters. Consult factory for other lengths.

\*\* Standard coupling nut material is nickel plated brass "RSC .."; "RSCV .." indicates 316 stainless steel.

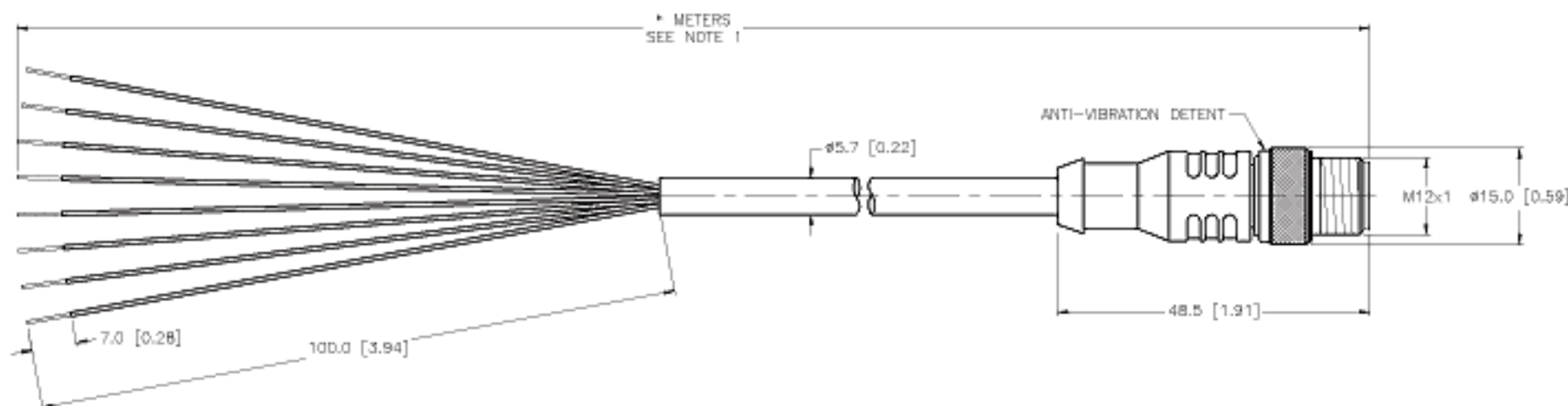
† See Section N for *reelfast*® cable information.

MALE CONNECTOR – END VIEW



SPECIFICATIONS

CONTACT CARRIER MATERIAL	NYLON OR PUR
MOLDED HEAD MATERIAL/COLOR	THERMOPLASTIC PUR/YELLOW
CONTACT MATERIAL/PLATING	GOLD PLATED BRASS
COUPLING NUT MATERIAL/PLATING	NICKEL PLATED BRASS
RATED CURRENT [A]	2.0 A
RATED VOLTAGE [V]	60 VAC/75 VDC
OUTER CABLE JACKET MATERIAL/COLOR	OIL RESISTANT PVC/GREY
CONDUCTOR INSULATION MATERIAL	PVC
NUMBER OF CONDUCTORS [AWG]	8x24 AWG
TEMPERATURE RANGE	-40°C to +105°C [-40°F to +221°F]
PROTECTION CLASS	MEETS NEMA 1,3,4,6P AND IEC IP68
SPACINGS	TO VDE 0310 GROUP C



CABLE LENGTH	TOLERANCE
ALL LENGTHS	+ 45 (OR 50mm) OF LENGTH - 05 (OR 0mm) OF LENGTH WHICHEVER IS GREATER
STRIP LENGTH	TOLERANCE
0-7mm	±0.2mm
8-22mm	±1.0mm
23-45mm	±2.0mm
46-60mm	±3.0mm
61-100mm	±4.0mm
OVER 100mm	±5.0mm

NOTES:

1. "\*" DESIGNATES CABLE LENGTH IN METERS. CONTACT TURCK TO ORDER SPECIFIC LENGTHS.

2. STRIP AND TIN LENGTHS ARE FOR REFERENCE ONLY; SOME LENGTHS MAY NOT BE STRIPPED OR TINNED.

SOURCE DRAWING – FOR REFERENCE ONLY

RELATED DOCUMENTS 1. 2. 3. 4.	3RD ANGLE PROJECTION 	THIS DRAWING IS PROPERTY OF TURCK INC. USE OF THIS DOCUMENT WITHOUT WRITTEN PERMISSION IS PROHIBITED.		DESCRIPTION RSC 8T-*
	MATERIAL SEE SPECIFICATIONS	TOLERANCES UNLESS OTHERWISE SPECIFIED 0.5 TO 6 ±0.1 6 TO 30 ±0.2 30 TO 200 ±0.3 OVER 200 ±0.4 ANGLES ±1° ALL INCH DIMENSIONS ARE REFERENCE ONLY	DRFT JBJ OSCH	
FINISH SEE SPECIFICATIONS	UNIT OF MEASUREMENT <b>MILLIMETER   INCH</b>	IDENTIFICATION NO. 777000186		REV C
C UPDATE TO SHOW CURRENT EURO COUPLING NUT RDS 03/04/03 5582		DO NOT SCALE THIS DRAWING		FILE: EURO-C\777000186 SHEET 1 OF 1
REV DESCRIPTION	BY DATE EDD NO.			