

4-Wire *euofast*® Cordsets, "C" Style Medium Plug Body

- Straight Male Connector
- NEMA 1, 3, 4, 6P and IEC IP 68 Protection
- 250 V, 4 A



Cordsets

Housing Style	Part Number	Cable	Features	Pinout
	RSC 4.4T-*	AWM PVC Yellow 4x18 AWG 105°C 7.3 mm OD Cable #RF50579-*M†	<i>flexlife</i> ®	
	RSC 4.4T-*/S90	AWM PUR Yellow 4x18 AWG 105°C 7.3 mm OD Cable #RF50544-*M†	<i>Cut/Abrasion Immune</i>	
	RSC 4.4T-*/S622	AWM PVC Grey 4x18 AWG 105°C 7.3 mm OD Cable #RF50580-*M†	<i>flexlife</i>	
	RSC 4.4T-*/S824	PLTC PVC Grey 4x22 AWG 105°C 5.2 mm OD Cable #RF50698-*M†	<i>Tray Rated</i>	
	RSC 4.4T-*/S1587	AWM TPE Yellow 4x18 AWG 105°C 7.3 mm OD Cable #RF50956-*M†	<i>weldlife, Weld Flash Immune</i>	
	RSC 4.4T-*/S101/S849	AWM TPE Grey 4x22 AWG 105°C 5.7 mm OD Cable #RF50941-*M†	<i>flexLife-10, High Flex Over 10 Million</i>	
	RSC 4.4T-*/S101	AWM TPE Yellow 4x18 AWG 105°C 7.2 mm OD Cable #RF50968-*M†		
	RSC 4.4T-*/S1062	AWM PVC Yellow 4/18 AWG 105°C 7.3 mm OD Cable #RF50579-*M†	<i>flexlife</i> ® Cable, PVC plug body with PVC contact carriers	

1. BN
2. WH
3. BU
4. BK

\* Length in meters. Standard cable lengths are 2, 4, 6, 8 and 10 meters. Consult factory for other lengths.  
 \*\* Standard coupling nut material is nickel plated brass "RSC .."; "RSCV .." indicates 316 stainless steel.  
 † See Section N for *reelfast*® cable information.

MALE END VIEW

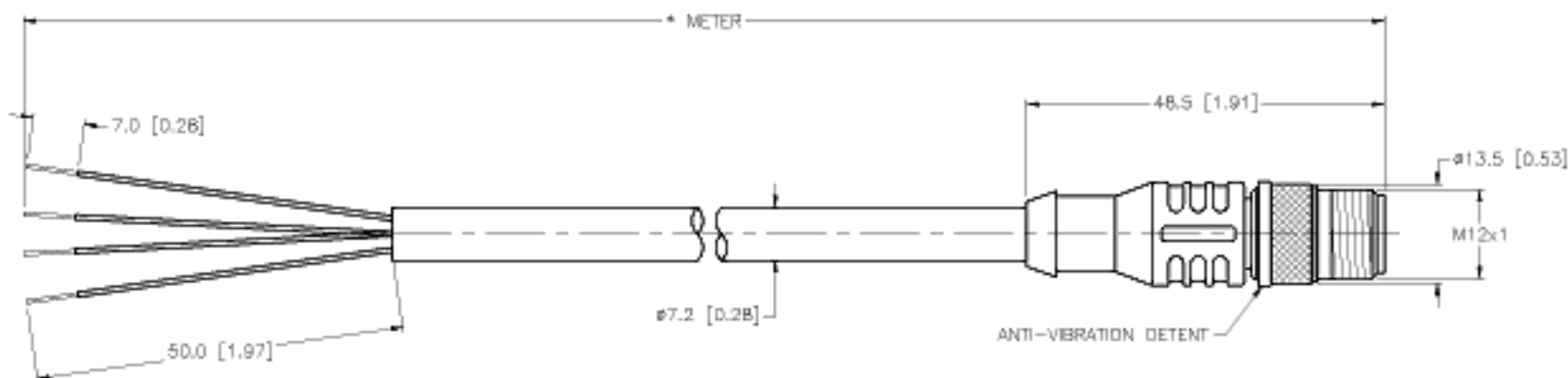


- 1 = BROWN
- 2 = WHITE
- 3 = BLUE
- 4 = BLACK



SPECIFICATIONS

CONTACT CARRIER MATERIAL/COLOR	THERMOPLASTIC PUR/BLACK
MOLDED HEAD MATERIAL/COLOR	THERMOPLASTIC PUR/YELLOW
CONTACT MATERIAL/PLATING	BRASS/GOLD
COUPLING NUT MATERIAL/PLATING	BRASS/NICKEL
RATED CURRENT [A]	4.0 A
RATED VOLTAGE [V]	250 V
OUTER JACKET MATERIAL/COLOR	PVC/YELLOW
CONDUCTOR INSULATION MATERIAL	PVC
NUMBER OF CONDUCTORS [AWG]	4x18 AWG
TEMPERATURE RANGE	-40°C to +105°C (-40°F to +221°F)
PROTECTION CLASS	MEETS NEMA 1,3,4,6P AND IEC IP68



CABLE LENGTH	TOLERANCE
ALL LENGTHS	+ 4% (OR 50mm) OF LENGTH - 0% (OR 0mm) OF LENGTH WHICHEVER IS GREATER
STRIP LENGTH	TOLERANCE
0-1mm	±0.5mm
1-25mm	±1.0mm
25-45mm	±2.0mm
45-65mm	±3.0mm
75-95mm	±4.0mm
OVER 100mm	±5.0mm

SOURCE DRAWING - FOR REFERENCE ONLY

NOTES:

- "\*" INDICATES CABLE LENGTH IN METERS. CONTACT TURCK TO ORDER SPECIFIC LENGTHS.
- STRIP AND TIN LENGTHS ARE FOR REFERENCE ONLY; SOME LENGTHS MAY NOT BE STRIPPED AND TIMED.

RELATED DOCUMENTS 1. 2. 3. 4.	3RD ANGLE PROJECTION 	THIS DRAWING IS PROPERTY OF TURCK INC. USE OF THIS DOCUMENT WITHOUT WRITTEN PERMISSION IS PROHIBITED.	<b>TURCK INC</b> High Technology Sensors and Automation Controls	
MATERIAL  SEE SPECIFICATIONS	TOLERANCES UNLESS OTHERWISE SPECIFIED 0.5 TO 6 ±0.1 6 TO 30 ±0.2 30 TO 200 ±0.3 OVER 200 ±0.4 ANGLES ±1°  ALL INCH DIMENSIONS ARE REFERENCE ONLY	DWPT RJP DATE 04/21/94	DESCRIPTION RSC 4.4T-*	REV D
FINISH  SEE SPECIFICATIONS	UNIT OF MEASUREMENT <b>MILLIMETER   INCH  </b>	SCALE 1=1.0	IDENTIFICATION NO.	FILE: 777000672
D UPDATE PER ECO.	JR 05/29/07 17752	DO NOT SCALE THIS DRAWING	SHEET 1 OF 1	
REV DESCRIPTION	BY DATE ECO NO.			