

2, 3 and 4-Wire *minifast*® Receptacles, Back Panel Mount

- Female Receptacles
- NEMA 1, 3, 4, 6P and IEC IP 68 Protection
- 600 V, 8 A



Drawing Number	Part Number	Lead Specs.	Features	Pinout	
<p>14</p> <p>RKFP ..</p>	RKFP 20-*M	UL, CSA 2x18 AWG 105°C	M30x1.5 Threads, Standard Duty	1. BN 2. BU	
	RKFP 26-*M	UL, CSA 2x16 AWG 105°C	M30x1.5 Threads, Heavy Duty	1. Wh 2. BK	
	RKFP 30-*M	UL, CSA 3x18 AWG 105°C	M30x1.5 Threads, Standard Duty	1. GN/YE 2. BN 3. BU	
	RKFP 31-*M	UL, CSA 3x18 AWG 105°C	M30x1.5 Threads, Standard Duty	1. BK 2. BN 3. BU	
	RKFP 311-*M	UL, CSA 3x18 AWG 105°C	M30x1.5 Threads, Automotive Color Code	1. GN 2. RD/BK 3. RD/Wh	
	RKFP 35-*M	UL, CSA 3x16 AWG 105°C	Automotive Color Code, M30x1.5 Threads	1. GN 2. RD/BK 3. RD/Wh	
	RKFP 36-*M	UL, CSA 3x16 AWG 105°C	M30x1.5 Threads, Heavy Duty	1. GN 2. BK 3. Wh	
	RKFP 40-*M	UL, CSA 4x18 AWG 105°C	M30x1.5 Threads, Standard Duty	1. BN 2. Wh 3. BU 4. BK	
	RKFP 46-*M	UL, CSA 4x16 AWG 105°C	M30x1.5 Threads, Heavy Duty	1. BK 2. Wh 3. RD 4. GN	

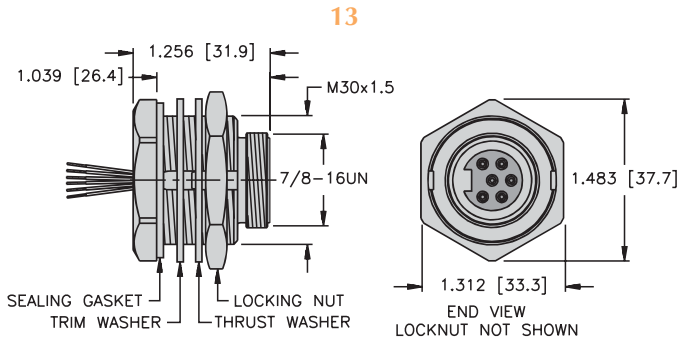
See page E57 for dimensional drawings.

Standard cable length is 0.3 Meters. Consult factory for other lengths.

Standard housing material is nickel plated cast zinc. "RKFP .."; "RKFPV .." indicates 316 stainless steel housing (leads only).

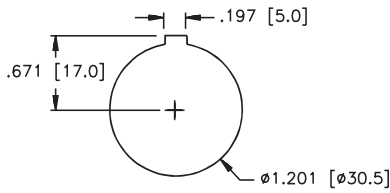
To specify PVC jacketed cable, add "/S717" to the end of the part number.

minifast® 16 AWG Back Panel Mount Male and Female Receptacles

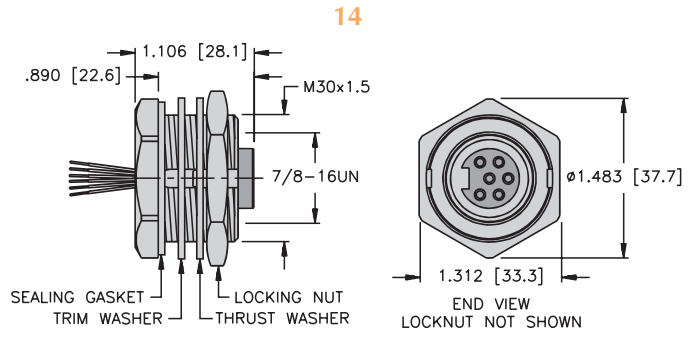


RSFP ..

Page E75 - E76

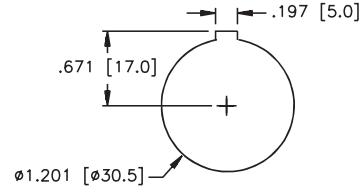


RSFP Cutout



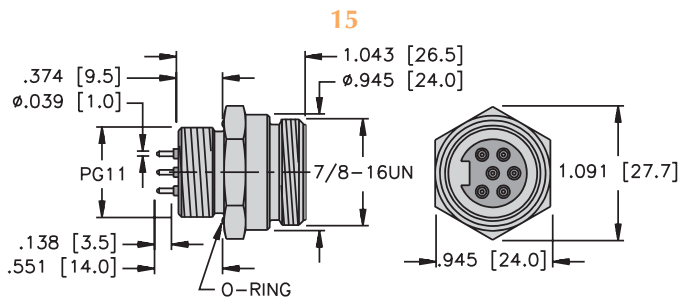
RKFP ..

Page E77 - E78



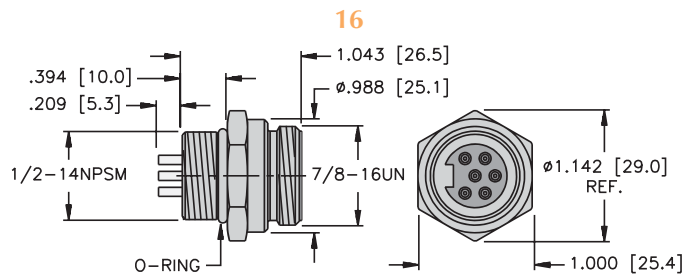
RKFP Cutout

minifast® Front PCB Mount Male and Female Receptacles



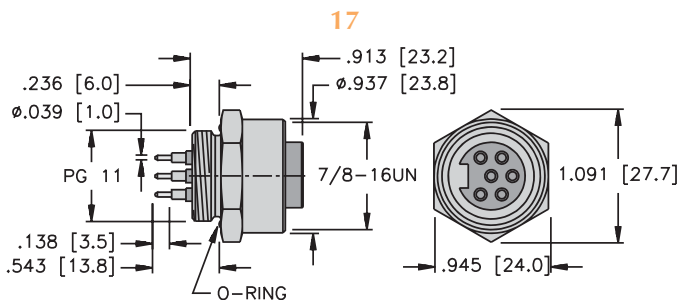
RSF ..PCB

Page E79



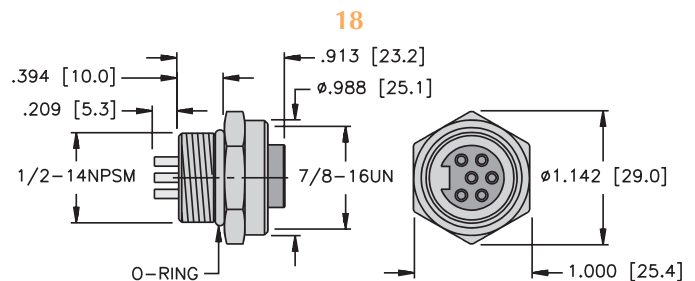
RSFL ..

Page E79



RKF ..PCB

Page E80



RKFL ..

Page E80