

2 and 3-Wire *minifast*® Receptacles, Front Mount, 1/2-14 NPSM Threads

- Female Receptacles
- NEMA 1, 3, 4, 6P and IEC IP 67 Protection



Drawing Number	Part Number	Lead Specs.	Features	Pinout
	RKF 20-*M	UL, CSA 2x18 AWG 105°C	1/2-14NPSM Threads, Standard Duty	1. BN 2. BU
	RKF 26-*M	UL, CSA 2x16 AWG Leads 105°C	1/2-14NPSM Threads, Heavy Duty	1. WH 2. BK
	RKF 30-*M	UL, CSA 3x18 AWG 105°C	1/2-14NPSM Threads, Standard Duty	1. GY/YE 2. BN 3. BU
	RKF 31-*M	UL, CSA 3x18 AWG 105°C	1/2-14NPSM Threads, Standard Duty	1. BK 2. BN 3. BU
	RKF 311-*M	UL, CSA 3x18 AWG 105°C	Automotive Color Code 1/2-14NPSM Threads	1. GN 2. RD/BK 3. RD/WH
	RKF 35-*M	UL, CSA 3x16 AWG 105°C	Automotive Color Code 1/2-14NPSM Threads	
	RKF 36-*M	UL, CSA 3x16 AWG 105°C	1/2-14NPSM Threads, Heavy Duty	1. GN 2. BK 3. WH

See page E56 for dimensional drawings.

Standard cable length is 0.5 Meters. Consult factory for other lengths.

Receptacles require a 13/16" (21 mm) clearance hole for panel mounting.

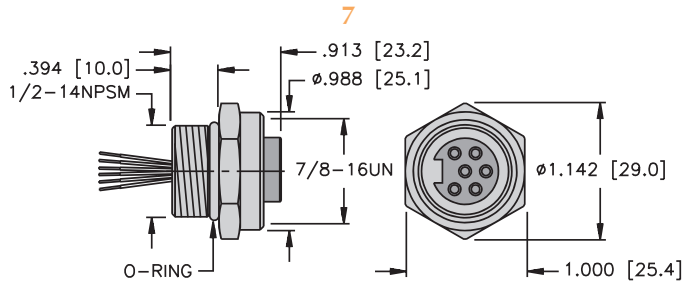
Standard housing material is nickel plated cast zinc.. "RKF .."; "RKFV .." indicates 316 stainless steel housing (leads only) and

"RKFK .." indicates nylon housing.

For locknuts to be included, add "W/LN" to the end of the part number.

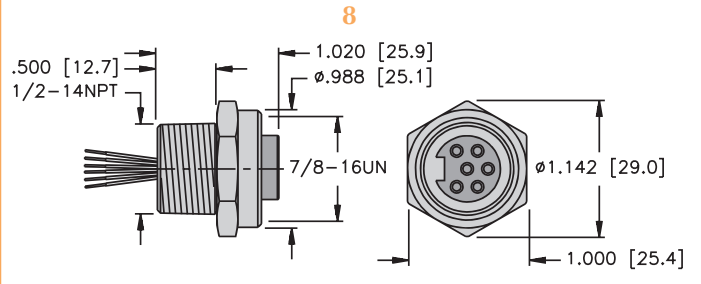
To specify PVC jacketed cable, add "/S717" to the end of the part number.

minifast® Standard Female Receptacles NPSM and NPT



RKF ..

Page E63 - E66

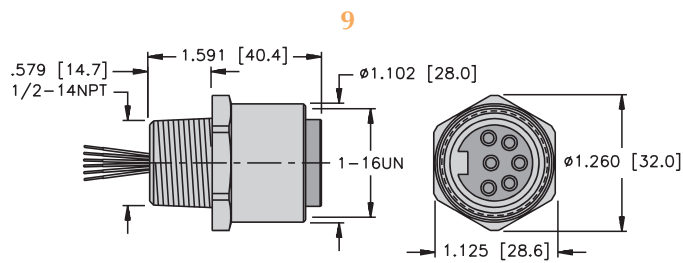


RKF ..NPT

Page E71 - E72

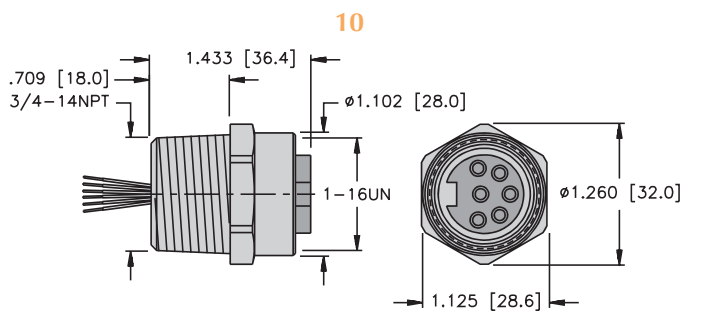
Receptacles

minifast® "B" Style Female Receptacles 1/2-14NPT and 3/4-14NPT



"B" Style RKF ..1/2-14NPT

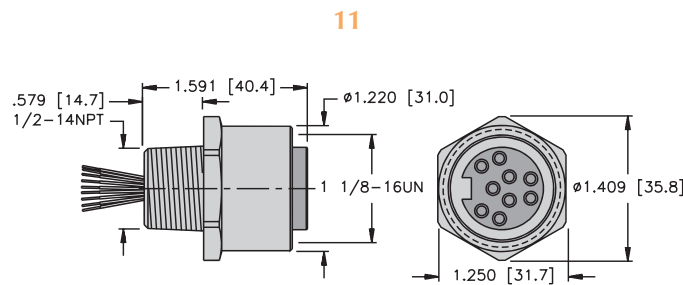
Page E73



"B" Style RKF ..3/4-14NPT

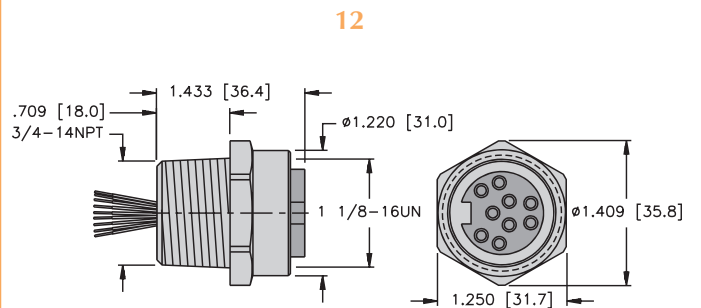
Page E73

minifast® "C" Style Female Receptacles 1/2-14NPT and 3/4-14NPT



"C" Style RKF

Page E74



"C" Style RKF ..3/4-14NPT

Page E74