

3-Wire picofast® Cordsets, Snap Lock (Locking Sleeve) and Threaded Coupling Nut

- Straight Female Connectors
- NEMA 1, 3, 4, 6P and IEC IP 67 Protection
- 125 VAC/VDC, 4 A



Housing Style	Part Number	Cable Specs.	Features	Pinouts
<p>PKG ..Z**</p>	PKG 3Z-*	AWM PVC Yellow 3x24 AWG 105°C 4.4 mm OD Cable #RF50642-*M	flexlife®	<ol style="list-style-type: none"> 1. BN 2. BU 3. BK
<p>PKG ..M**</p>	PKG 3M-*	AWM PVC Yellow 3x24 AWG 105°C 4.4 mm OD Cable #RF50642-*M	flexlife	<ol style="list-style-type: none"> 1. BN 2. BU 3. BK
<p>PKG V ..M**</p>	PKG 4M-*	AWM PVC Yellow 4x26 AWG 105°C 4.4 mm OD Cable #RF50697-*M	flexlife	<ol style="list-style-type: none"> 1. BN 2. WH 3. BU 4. BK

* Length in meters. Standard cable lengths are 2, 4, 6, 8 and 10 meters.

** Standard coupling nut material is POM.. "PKG..Z".

** Standard coupling material is nickel plated brass.. "PKG..M"; "PKG V..M" indicates 316 stainless steel.

FEMALE END VIEW

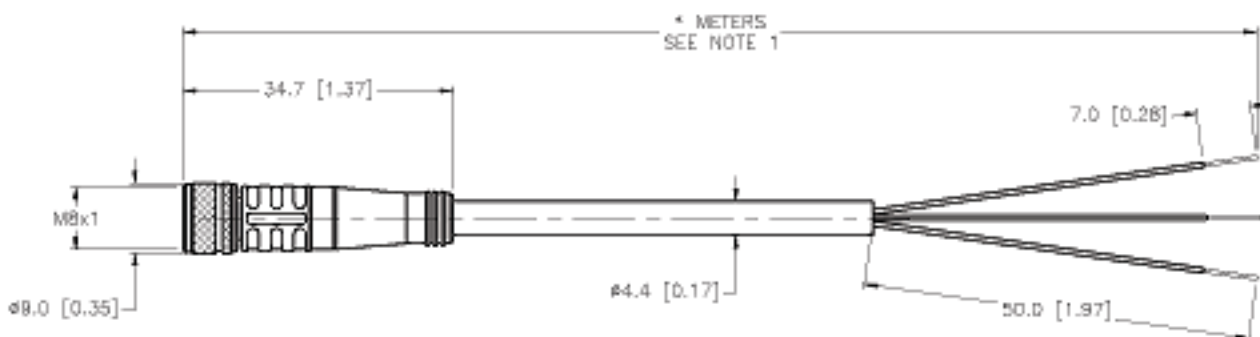


- 1 = BROWN
- 3 = BLUE
- 4 = BLACK



SPECIFICATIONS

CONTACT CARRIER MATERIAL/COLOR	NYLON OR PUR/BLACK
MOLDED HEAD MATERIAL/COLOR	THERMOPLASTIC PUR/YELLOW
CONTACT MATERIAL/PLATING	BRASS/GOLD
COUPLING NUT MATERIAL/PLATING	BRASS/NICKEL
RATED CURRENT [A]	4.0 A
RATED VOLTAGE [V]	125 VAC/VDC
OUTER JACKET MATERIAL/COLOR	PVC/YELLOW
CONDUCTOR INSULATION MATERIAL	PVC
NUMBER OF CONDUCTORS [AWG]	3x24 AWG
TEMPERATURE RANGE	-40°C to +105°C (-40°F to +221°F)
PROTECTION CLASS	MEETS NEMA 1,3,4,6P AND IEC IP687



CABLE LENGTH	TOLERANCE
ALL LENGTHS	+ .4% (OR 50mm) OF LENGTH - .0% (OR 0mm) OF LENGTH WHICHEVER IS GREATER
STRIP LENGTH	TOLERANCE
0-1mm	±0.0mm
6-20mm	±1.0mm
20-45mm	±2.0mm
50-65mm	±3.0mm
70-100mm	±4.0mm
OVER 100mm	±5.0mm

NOTES:

- *M* INDICATES CABLE LENGTH IN METERS. CONTACT TURCK TO ORDER SPECIFIC LENGTHS.
- STRIP AND TIN LENGTHS ARE FOR REFERENCE ONLY; SOME LENGTHS MAY NOT BE STRIPPED AND TINNED.

SOURCE DRAWING - FOR REFERENCE ONLY

RELATED DOCUMENTS 1. 2. 3. 4.	3RD ANGLE PROJECTION 	THIS DRAWING IS PROPERTY OF TURCK INC. USE OF THIS DOCUMENT WITHOUT WRITTEN PERMISSION IS PROHIBITED.		TURCK INC High Technology Sensors and Automation Controls	
MATERIAL	TOLERANCES UNLESS OTHERWISE SPECIFIED 0.5 TO 6 ±0.1 6 TO 30 ±0.2 30 TO 200 ±0.3 OVER 200 ±0.4 ANGLES ±1° ALL INCH DIMENSIONS ARE REFERENCE ONLY	DWPT CBM	DATE 03/26/99	DESCRIPTION PKG 3M-*	
FINISH	UNIT OF MEASUREMENT MILLIMETER INCH 	CSGN	SCALE 1=1.0	IDENTIFICATION NO.	REV D
	DO NOT SCALE THIS DRAWING		FILE: 777000272	SHEET 1 OF 1	

D	UPDATE DRAWING NUMBER & REDRAW PICO FE FITTING	RS	10/11/01	T4652
REV	DESCRIPTION	BY	DATE	ECO NO.