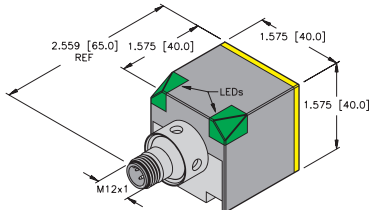
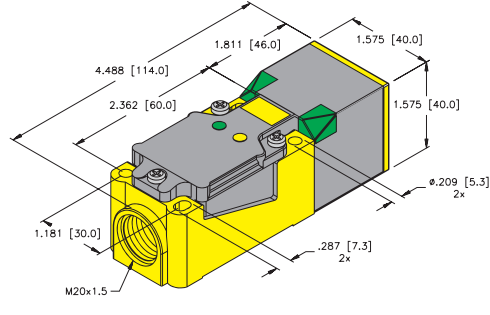
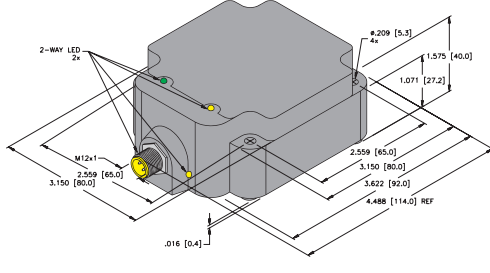


# Inductive Sensors



Housing Style	Part Number	ID Number	Features	Sensing Range (mm)	Output	
<b>CK40 - Embeddable/Nonembeddable, eurofast® Connection</b> 	Bi20U-CK40-AN6X2-H1141 W/BS 2.1	M1627231	<i>Uprox+</i>	20	3-Wire DC NPN	
	Bi30U-CK40-AN6X2-H1141 W/BS 4	M1625820	<i>Uprox+</i>	30		
	Ni50U-CK40-AN6X2-H1141 W/BS 4	M1625823	<i>Uprox+</i>	50		
	<b>CP40 - Embeddable/Nonembeddable, Terminal Chamber</b> 	Bi20U-CP40-AN6X2	M1625828	<i>Uprox+</i>	20	3-Wire DC NPN
		Bi20U-CP40-AP6X2	M1625826	<i>Uprox+</i>	20	3-Wire DC PNP
		Bi30U-CP40-AN6X2	M1625827	<i>Uprox+</i>	30	3-Wire DC NPN
		Bi30U-CP40-AP6X2	M1625825	<i>Uprox+</i>	30	3-Wire DC PNP
		Ni50U-CP40-AN6X2	M1625824	<i>Uprox+</i>	50	3-Wire DC NPN
Ni50U-CP40-AP6X2		M1625842	<i>Uprox+</i>	50	3-Wire DC PNP	
<b>Q80 - Embeddable/Nonembeddable, eurofast Connection</b> 	Bi50U-Q80-AN6X2-H1141	M1608944	<i>Uprox+</i>	50	3-Wire DC NPN	
	Ni70U-Q80-VN4X2-H1141	M1625821	<i>Uprox+/Comp. Outputs</i>	70	4-Wire DC NPN	
	Bi50U-Q80-AP6X2-H1141	M1608940	<i>Uprox+</i>	50	3-Wire DC PNP	
	Ni70U-Q80-VP4X2-H1141	M1625833	<i>Uprox+/Comp. Outputs</i>	70	4-Wire DC PNP	

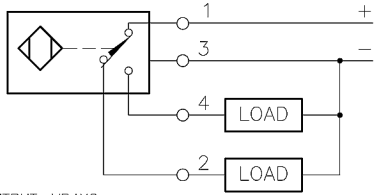


Voltage	Switching Freq. (Hz)	Operating Current (mA)	Operating Temp. (°C)	Protection	Housing	Face	Power LED	Output LED	Mating Cordset	Wiring Diagram #	Wiring Diagrams
10-30 VDC	250	≤200	-20 to +70	IP 68	PBT	PBT	GN	YE	RK 4T-*	1	<b>Diagram 1</b> 
	250	≤200	-10 to +60	IP 68	PBT	PBT	GN	YE	RK 4T-*	1	
	250	≤200	-25 to +70	IP 68	PBT	PBT	GN	YE	RK 4T-*	1	
10-30 VDC	250	≤200	-20 to +70	IP 68	PBT	PBT	GN	YE	RK 4T-*	2	<b>Diagram 2</b> 
	250	≤200	-10 to +60	IP 68	PBT	PBT	GN	YE	RK 4T-*	2	
	250	≤200	-20 to +70	IP 68	PBT	PBT	GN	YE	RK 4T-*	2	
10-30 VDC	250	≤200	-25 to +70	IP 68	PBT	PBT	GN	YE	RK 4.4T-*	3	<b>Diagram 3</b> 
10-30 VDC	250	≤200	-25 to +70	IP 68	PBT	PBT	GN	YE	RK 4.4T-*	4	
10-30 VDC	250	≤200	-25 to +70	IP 68	PBT	PBT	GN	YE	N/A	5	<b>Diagram 4</b> 
10-30 VDC	250	≤200	-25 to +70	IP 68	PBT	PBT	GN	YE	N/A	6	
10-30 VDC	250	≤200	-25 to +70	IP 68	PBT	PBT	GN	YE	N/A	5	<b>Diagram 5</b> 
10-30 VDC	250	≤200	-25 to +70	IP 68	PBT	PBT	GN	YE	N/A	6	
10-30 VDC	250	≤200	-25 to +70	IP 68	PBT	PBT	GN	YE	RK 4T-*	1	<b>Diagram 6</b> 
10-65 VDC	250	≤200	-25 to +70	IP 68	PBT	PBT	GN	YE	RK 4.4T-*	3	
10-30 VDC	250	≤200	-25 to +70	IP 68	PBT	PBT	GN	YE	RK 4T-*	2	
10-65 VDC	250	≤200	-25 to +70	IP 68	PBT	PBT	GN	YE	RK 4.4T-*	4	

Uprox+

\* Length in meters.

WIRING DIAGRAM

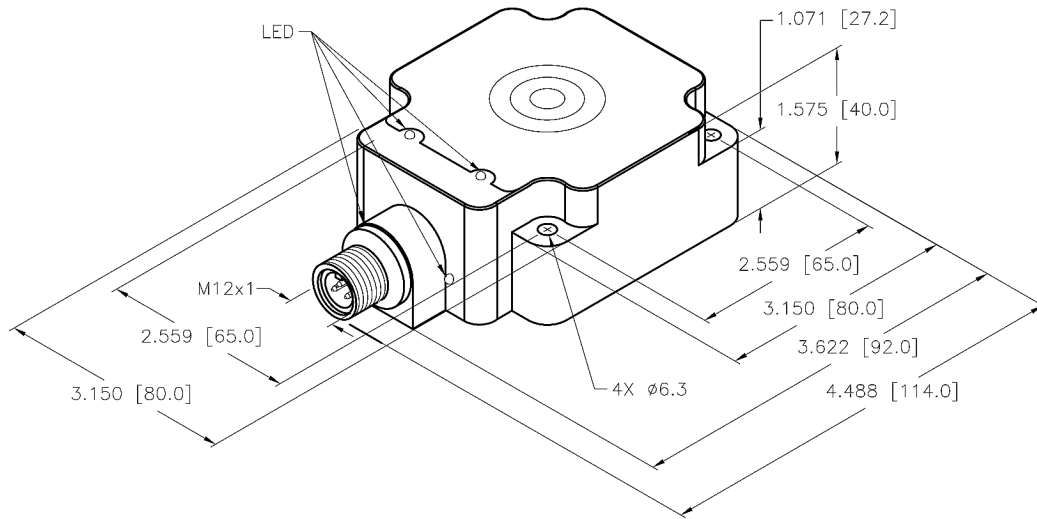


OUTPUT: VP4X2

SHORT-CIRCUIT AND OVERLOAD PROTECTED

SPECIFICATIONS

HYSTERESIS	3-15%
MIN. REPEAT ACCURACY	≤2%
MAX. RELATIVE TEMPERATURE DRIFT	≤ ±10% C° ≤ ±15%, ≤ 25 C° v ≥ +70 C°
OPERATING TEMPERATURE	-30°C to +85°C (-22°F to +185°F)
OPERATING VOLTAGE	10-65 VDC
RIPPLE	≤10%
RATED OPERATIONAL CURRENT	≤ 200 mA
NO-LOAD CURRENT	≤ 15 mA
MAX. OFF STATE CURRENT	≤ 0.1 mA
MAX. SWITCHING FREQUENCY	≤ 0.25 kHz
RATED INSULATION VOLTAGE	≤ 0.5 kV
OUTPUT FUNCTION	4-WIRE, COMPLEMENTARY, PNP
SHORT-CIRCUIT PROTECTED	YES
MAX. VOLTAGE DROP	≤ 1.8 V
WIRE-BREAK PROTECTION	INCORPORATED
REVERSE POLARITY PROTECTION	INCORPORATED
HOUSING MATERIAL	PLASTIC, PBT-GF30-V0
ACTIVE FACE	PLASTIC, PBT-GF30-V0
VIBRATION RESISTANCE	55 Hz, 1 mm AMPLITUDE (IN ALL 3 PLANES)
SHOCK RESISTANCE	30 g, 11 ms
DEGREE OF PROTECTION	IP 67
RATED OPERATING DISTANCE	70 mm
MOUNTING MODE	NON-FLUSH
SUPPLY VOLTAGE INDICATION	LED, GREEN
SWITCHING STATUS INDICATION	LED, YELLOW



SOURCE DRAWING - FOR REFERENCE ONLY

RELATED DOCUMENTS		3RD ANGLE PROJECTION		THIS DRAWING IS PROPERTY OF TURCK INC. USE OF THIS DOCUMENT WITHOUT WRITTEN PERMISSION IS PROHIBITED.		<b>TURCK INC</b> High Technology Sensors and Automation Controls	
1. 2. 3. 4.				DRFT	RDS	DATE	DESCRIPTION
MATERIAL		TOLERANCES UNLESS OTHERWISE SPECIFIED		DSGN	BT	SCALE	Ni70U-Q80-VP4X2-H1141
PBT-GF30-V0 PLASTIC		±0.0394 in [±1.00 mm]		UNIT OF MEASUREMENT		IDENTIFICATION NO.	
FINISH				<b>INCH [ MILLIMETER ]</b>		M1625833	
A		DRAWING RELEASE		RDS		08/04/03	
REV		DESCRIPTION		BY		DATE	
				ECO NO.		FILE: M1625833	
				DO NOT SCALE THIS DRAWING		SHEET 1 OF 1	