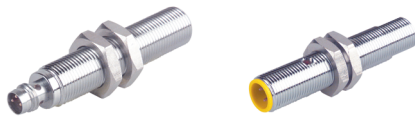
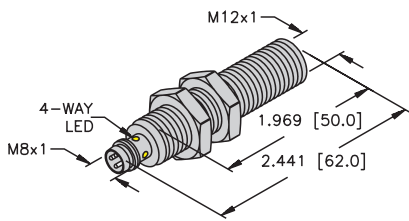
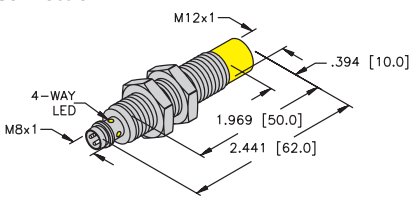
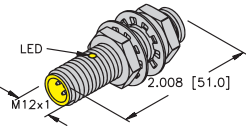
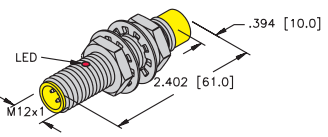
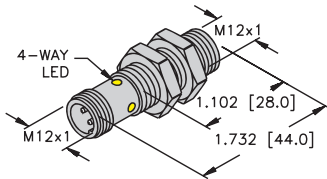
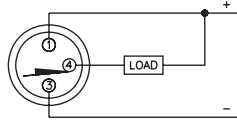
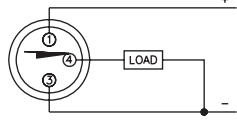
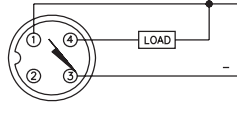
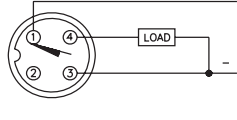
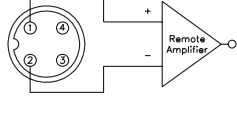
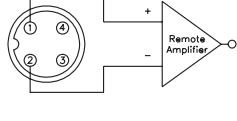
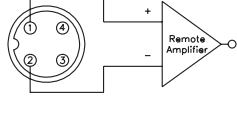
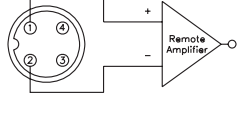
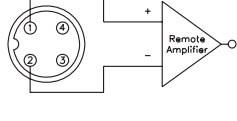


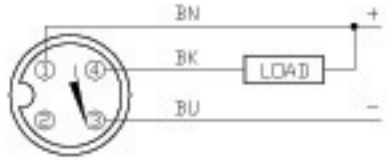
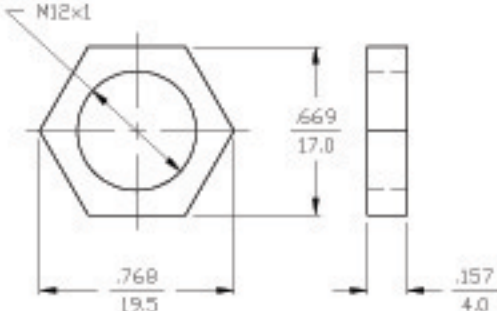
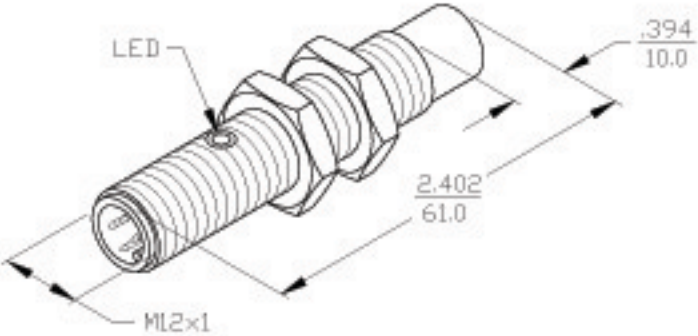



Inductive Sensors



Housing Style	Part Number	ID Number	Features	Sensing Range (mm)	Output
12 mm - Embeddable, picofast® Connection 	Bi 2-G12-AN6X-V1131	T4635583		2	3-Wire DC NPN
	Bi 4-G12-AN6X-V1131	M1690707	Extended Range	4	
	Bi 2-G12-AP6X-V1131	T4606597		2	3-Wire DC PNP
	Bi 4-G12-AP6X-V1131	M1690703	Extended Range	4	
12 mm - Nonembeddable, picofast Connection 	Ni 5-G12-AN6X-V1131	T4635721		5	3-Wire DC NPN
	Ni 5-G12-AP6X-V1131	T4635690		5	3-Wire DC PNP
12 mm - Embeddable, eurofast® Connection 	Bi 2-G12-AN6X-H1141	T4606693		2	3-Wire DC NPN
	Bi 2-G12-AP6X-H1141	T4606595		2	3-Wire DC PNP
	Bi 4-EG12-AP6X-H1141	T4607091	Extended Range	4	
12 mm - Nonembeddable, eurofast Connection 	Ni 5-G12-AN6X-H1141	T4635793		5	3-Wire DC NPN
	Ni 5-G12-AN7X-H1141	T1714593		5	
	Ni 8-G12-AN6X-H1141	T4611383	Extended Range	8	
	Ni 5-G12-AP6X-H1141	T4635692		5	3-Wire DC PNP
	Ni 5-G12-Y0-H1141	T1005594		5	2-Wire DC NAMUR
12 mm - Embeddable, eurofast Connection 	Bi 2-G12K-AP6X-H1141	M4670260		2	3-Wire DC PNP

Voltage	Switching Freq. (Hz)	Operating Current (mA)	Operating Temp. (°C)	Protection	Housing	Face	Power LED	Output LED	Mating Cordset	Wiring Diagram #	Wiring Diagrams
10-30 VDC	2000	≤200	-25 to +70	IP 67	CPB	PA 12	N/A	YE	PKG 3Z-*	1	Diagram 1 
	2000	≤200	-25 to +70	IP 67	CPB	PA 12	N/A	YE	PKG 3Z-*	1	
10-30 VDC	2000	≤200	-25 to +70	IP 67	CPB	PA 12	N/A	YE	PKG 3Z-*	2	Diagram 2 
	2000	≤200	-25 to +70	IP 67	CPB	PA 12	N/A	YE	PKG 3Z-*	2	
10-30 VDC	2000	≤200	-25 to +70	IP 67	CPB	PA 12	N/A	YE	PKG 3Z-*	1	Diagram 3 
10-30 VDC	2000	≤200	-25 to +70	IP 67	CPB	PA 12	N/A	YE	PKG 3Z-*	2	Diagram 4 
10-30 VDC	2000	≤200	-25 to +70	IP 67	CPB	PA 12	N/A	YE	RK 4T-*	3	Diagram 5 
10-30 VDC	2000	≤200	-25 to +70	IP 67	SS	PA 12	N/A	YE	RKV 4T-*	4	
10-30 VDC	2000	≤200	-25 to +70	IP 67	CPB	PA 12	N/A	YE	RK 4T-*	3	Diagram 5 
	2000	≤200	-25 to +70	IP 67	CPB	PA 12	N/A	YE	RK 4T-*	3	
	2000	≤200	-25 to +70	IP 67	CPB	PA 12	N/A	YE	RK 4T-*	3	
10-30 VDC	2000	≤200	-25 to +70	IP 67	CPB	PA 12	N/A	YE	RK 4T-*	4	Diagram 5 
5-30 VDC	2000	Remote	-25 to +70	IP 67	CPB	PA 12	N/A	N/A	RK 4.21T-*	5	Diagram 5 
10-30 VDC	2000	≤200	-25 to +70	IP 67	CPB	PA 12	N/A	N/A	RK 4T-*	4	Diagram 5 

* Length in meters.

WIRING DIAGRAMS	LOCKNUT LN-M12	SPECIFICATIONS																																																					
 <p>OUTPUT: ANEX</p> <p>SHORT-CIRCUIT AND OVERLOAD PROTECTED</p>		<table border="1"> <tr><td>OPERATING VOLTAGE</td><td>10-30 VDC</td></tr> <tr><td>RIPPLE</td><td>≤10%</td></tr> <tr><td>DIFFERENTIAL TRAVEL (HYSTERESIS)</td><td>3-15% (5% TYPICAL)</td></tr> <tr><td>VOLTAGE DROP ACROSS CONDUCTING SENSOR</td><td>≤1.8 V at 200 mA</td></tr> <tr><td>OUTPUT FUNCTION</td><td>NORMALLY OPEN 3-WIRE DC SELF-CONTAINED</td></tr> <tr><td>TTL COMPATIBLE</td><td>NO</td></tr> <tr><td>SHORT-CIRCUIT PROTECTED</td><td>YES</td></tr> <tr><td>TRIGGER CURRENT FOR OVERLOAD PROTECTION</td><td>≤220 mA</td></tr> <tr><td>CONTINUOUS LOAD CURRENT</td><td>≤200 mA</td></tr> <tr><td>OFF-STATE (LEAKAGE) CURRENT</td><td><10 μA</td></tr> <tr><td>NO-LOAD CURRENT</td><td>5.5-9.5 mA</td></tr> <tr><td>TIME DELAY BEFORE AVAILABILITY</td><td>≤8 ms</td></tr> <tr><td>POWER-ON EFFECT PROTECTION</td><td>INCORPORATED</td></tr> <tr><td>REVERSE POLARITY PROTECTION</td><td>INCORPORATED</td></tr> <tr><td>WIRE-BREAK PROTECTION</td><td>INCORPORATED</td></tr> <tr><td>PROTECTION AGAINST TRANSIENTS</td><td>2 kV, 1 ns, 1 kΩ</td></tr> <tr><td>OPERATING TEMPERATURE</td><td>-25°C to +70°C (-13°F to +158°F)</td></tr> <tr><td>ENCLOSURE</td><td>MEETS NEMA L 3, 4, 6, 13 AND IEC IP67</td></tr> <tr><td>SHOCK</td><td>30 g, 11 ms</td></tr> <tr><td>VIBRATION</td><td>55 Hz, 1 mm AMPLITUDE (IN ALL 3 PLANES)</td></tr> <tr><td>LED FUNCTION</td><td>RED: OUTPUT ENERGIZED</td></tr> <tr><td>SENSING RANGE</td><td>5 mm ± .197" (NOMINAL)</td></tr> <tr><td>SWITCHING FREQUENCY</td><td>1500 Hz</td></tr> <tr><td>REPEATABILITY</td><td>≤2% of RATED OPERATING DISTANCE</td></tr> <tr><td>EMBEDDABLE (SHIELDED)</td><td>NO</td></tr> <tr><td>MATING PLUGS/CABLES</td><td>4-PIN "EUROFAST" CONSTRUCTION</td></tr> </table>		OPERATING VOLTAGE	10-30 VDC	RIPPLE	≤10%	DIFFERENTIAL TRAVEL (HYSTERESIS)	3-15% (5% TYPICAL)	VOLTAGE DROP ACROSS CONDUCTING SENSOR	≤1.8 V at 200 mA	OUTPUT FUNCTION	NORMALLY OPEN 3-WIRE DC SELF-CONTAINED	TTL COMPATIBLE	NO	SHORT-CIRCUIT PROTECTED	YES	TRIGGER CURRENT FOR OVERLOAD PROTECTION	≤220 mA	CONTINUOUS LOAD CURRENT	≤200 mA	OFF-STATE (LEAKAGE) CURRENT	<10 μA	NO-LOAD CURRENT	5.5-9.5 mA	TIME DELAY BEFORE AVAILABILITY	≤8 ms	POWER-ON EFFECT PROTECTION	INCORPORATED	REVERSE POLARITY PROTECTION	INCORPORATED	WIRE-BREAK PROTECTION	INCORPORATED	PROTECTION AGAINST TRANSIENTS	2 kV, 1 ns, 1 kΩ	OPERATING TEMPERATURE	-25°C to +70°C (-13°F to +158°F)	ENCLOSURE	MEETS NEMA L 3, 4, 6, 13 AND IEC IP67	SHOCK	30 g, 11 ms	VIBRATION	55 Hz, 1 mm AMPLITUDE (IN ALL 3 PLANES)	LED FUNCTION	RED: OUTPUT ENERGIZED	SENSING RANGE	5 mm ± .197" (NOMINAL)	SWITCHING FREQUENCY	1500 Hz	REPEATABILITY	≤2% of RATED OPERATING DISTANCE	EMBEDDABLE (SHIELDED)	NO	MATING PLUGS/CABLES	4-PIN "EUROFAST" CONSTRUCTION
OPERATING VOLTAGE	10-30 VDC																																																						
RIPPLE	≤10%																																																						
DIFFERENTIAL TRAVEL (HYSTERESIS)	3-15% (5% TYPICAL)																																																						
VOLTAGE DROP ACROSS CONDUCTING SENSOR	≤1.8 V at 200 mA																																																						
OUTPUT FUNCTION	NORMALLY OPEN 3-WIRE DC SELF-CONTAINED																																																						
TTL COMPATIBLE	NO																																																						
SHORT-CIRCUIT PROTECTED	YES																																																						
TRIGGER CURRENT FOR OVERLOAD PROTECTION	≤220 mA																																																						
CONTINUOUS LOAD CURRENT	≤200 mA																																																						
OFF-STATE (LEAKAGE) CURRENT	<10 μA																																																						
NO-LOAD CURRENT	5.5-9.5 mA																																																						
TIME DELAY BEFORE AVAILABILITY	≤8 ms																																																						
POWER-ON EFFECT PROTECTION	INCORPORATED																																																						
REVERSE POLARITY PROTECTION	INCORPORATED																																																						
WIRE-BREAK PROTECTION	INCORPORATED																																																						
PROTECTION AGAINST TRANSIENTS	2 kV, 1 ns, 1 kΩ																																																						
OPERATING TEMPERATURE	-25°C to +70°C (-13°F to +158°F)																																																						
ENCLOSURE	MEETS NEMA L 3, 4, 6, 13 AND IEC IP67																																																						
SHOCK	30 g, 11 ms																																																						
VIBRATION	55 Hz, 1 mm AMPLITUDE (IN ALL 3 PLANES)																																																						
LED FUNCTION	RED: OUTPUT ENERGIZED																																																						
SENSING RANGE	5 mm ± .197" (NOMINAL)																																																						
SWITCHING FREQUENCY	1500 Hz																																																						
REPEATABILITY	≤2% of RATED OPERATING DISTANCE																																																						
EMBEDDABLE (SHIELDED)	NO																																																						
MATING PLUGS/CABLES	4-PIN "EUROFAST" CONSTRUCTION																																																						
		<table border="1"> <tr> <td colspan="2">MATERIAL BRASS BARREL</td> <td colspan="2">3RD ANGLE PROJECTION</td> <td rowspan="2" style="text-align: center;">TURKON INC</td> </tr> <tr> <td colspan="2">FINISH COPPER/NICKEL/ CHROME PLATING</td> <td colspan="2"></td> </tr> <tr> <td>DRWN GMB</td> <td>DATE 7/24/89</td> <td colspan="3">PART NO. NI5-G12-AN6X-H1141</td> </tr> <tr> <td>D-KD</td> <td>DATE</td> <td>SIZE B</td> <td>10 NO. 4635793</td> <td>REV A</td> </tr> <tr> <td>THI</td> <td></td> <td colspan="2">DIMENSIONS ARE IN INCHES</td> <td></td> </tr> <tr> <td colspan="2"></td> <td>SCALE NONE</td> <td>BMQD-II\4635793</td> <td>SHEET OF</td> </tr> </table>		MATERIAL BRASS BARREL		3RD ANGLE PROJECTION		TURKON INC	FINISH COPPER/NICKEL/ CHROME PLATING				DRWN GMB	DATE 7/24/89	PART NO. NI5-G12-AN6X-H1141			D-KD	DATE	SIZE B	10 NO. 4635793	REV A	THI		DIMENSIONS ARE IN INCHES					SCALE NONE	BMQD-II\4635793	SHEET OF																							
MATERIAL BRASS BARREL		3RD ANGLE PROJECTION		TURKON INC																																																			
FINISH COPPER/NICKEL/ CHROME PLATING																																																							
DRWN GMB	DATE 7/24/89	PART NO. NI5-G12-AN6X-H1141																																																					
D-KD	DATE	SIZE B	10 NO. 4635793	REV A																																																			
THI		DIMENSIONS ARE IN INCHES																																																					
		SCALE NONE	BMQD-II\4635793	SHEET OF																																																			
<table border="1"> <tr> <td>A</td> <td>SEE REVISION DOCUMENT AGL2-H2</td> <td>GMB</td> <td>10/4/90</td> <td></td> </tr> <tr> <td>REV</td> <td>DESCRIPTION</td> <td>DRFT</td> <td>DATE</td> <td>CHKD</td> </tr> </table>	A	SEE REVISION DOCUMENT AGL2-H2	GMB	10/4/90		REV	DESCRIPTION	DRFT	DATE	CHKD	REVISIONS																																												
A	SEE REVISION DOCUMENT AGL2-H2	GMB	10/4/90																																																				
REV	DESCRIPTION	DRFT	DATE	CHKD																																																			