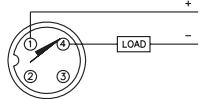
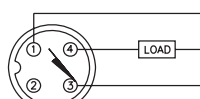
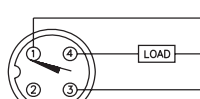
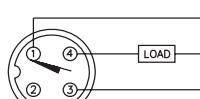
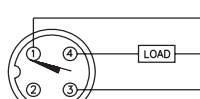
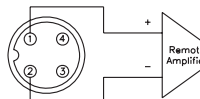


Inductive Sensors

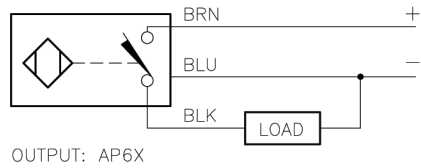


Housing Style	Part Number	ID Number	Features	Sensing Range (mm)	Output
8 mm - Nonembeddable, Miniature Threaded, eurofast® Quick Disconnect 	Ni 4-EG08K-AG41X-H1341	S4561011	Short Barrel	4	2-Wire DC
	Ni 4-EG08K-AG41X-H1341/S1589	S4561090	weldguard	4	
	Ni 3-EG08K-AN6X-H1341	S4669760	Short Barrel	3	3-Wire DC NPN
	Ni 3-EG08K-AP6X-H1341	S4669660	Short Barrel	3	3-Wire DC PNP
	Ni 3-EG08K-Y1-H1341	S1003720	Short Barrel	3	2-Wire DC NAMUR
	Ni 3-EG08K-Y1X-H1341	S1003704		3	
8 mm - Nonembeddable, Miniature Threaded, eurofast Quick Disconnect 	Ni 4-EG08-AG41X-H1341	S4561001		4	2-Wire DC
	Ni 4-EG08-AG41X-H1341/S1589	S4561091	weldguard	4	
	Ni 3-EG08-AN6X-H1341	S4602860		3	3-Wire DC NPN
	Ni 3-EG08-AN6X-H1341/S1589	S4602889	weldguard	3	
	Ni 4U-EG08-AN6X-H1341	S4600650	Uprox	4	
	Ni 3-EG08-AN7X-H1341	S4669761	TTL Compatible	3	
	Ni 3-EG08-AP6X-H1341	S4602760		3	3-Wire DC PNP
	Ni 3-EG08-AP6X-H1341/S1589	S4602799	weldguard	3	
	Ni 4U-EG08-AP6X-H1341	S4600640	Uprox	4	
	Ni 4U-EG08-AP6X-H1341/S1589	S4600640-1	Uprox/weldguard	4	
	Ni 3-EG08-Y1-H1341	S1003730		3	2-Wire DC NAMUR
8 mm - Nonembeddable, Miniature Threaded, eurofast Quick Disconnect 	Ni 2-G08-AN6X-H1341	S4603300		2	3-Wire DC NPN
	Ni 3-G08-AN6X-H1341	S4602704		3	
	Ni 2-G08-AP6X-H1341	S4603200		2	3-Wire DC PNP
	Ni 3-G08-AP6X-H1341	S4602705		3	

Voltage	Switching Freq. (Hz)	Operating Current (mA)	Operating Temp. (°C)	Protection	Housing	Face	Power LED	Output LED	Mating Cordset	Wiring Diagram #	Wiring Diagrams
10-65 VDC	1000	≤100	-25 to +70	IP 67	SS	PA 12	N/A	YE	RK 4T-*	1	Diagram 1 
	1000	≤100	-25 to +70	IP 67	SS	WG	N/A		RK 4T-*	1	
10-30 VDC	3000	≤150	-25 to +70	IP 67	SS	PA 12	N/A	YE	RK 4T-*	2	Diagram 2 
10-30 VDC	3000	≤150	-25 to +70	IP 67	SS	PA 12	N/A	YE	RK 4T-*	3	
5-30 VDC	5000	Remote	-25 to +70	IP 67	SS	PA 12	N/A	N/A	RK 4.21T-*	4	Diagram 3 
	5000	Remote	-25 to +70	IP 67	SS	PA 12	N/A	N/A	RK 4.21T-*	4	
10-65 VDC	1000	≤100	-25 to +70	IP 67	SS	PA 12	N/A	YE	RK 4T-*	1	Diagram 3 
	1000	≤100	-25 to +70	IP 67	SS	WG	N/A	YE	RK 4T-*	1	
10-30 VDC	3000	≤150	-25 to +70	IP 67	SS	PA 12	N/A	YE	RK 4T-*	2	Diagram 3 
	3000	≤150	-25 to +70	IP 67	SS	WG	N/A	YE	RK 4T-*	2	
	2000	≤150	-30 to +85	IP 68	SS	PA 12	N/A	YE	RK 4T-*	2	
	2000	≤150	-25 to +70	IP 67	SS	PA 12	N/A	YE	RK 4T-*	2	
10-30 VDC	3000	≤150	-25 to +70	IP 67	SS	PA 12	N/A	YE	RK 4T-*	3	Diagram 4 
	3000	≤150	-25 to +70	IP 67	SS	WG	N/A	YE	RK 4T-*	3	
	2000	≤150	-30 to +85	IP 68	SS	PA 12	N/A	YE	RK 4T-*	3	
	2000	≤150	-30 to +85	IP 67	SS	WG	N/A	YE	RK 4T-*	3	
5-30 VDC	5000	Remote	-25 to +70	IP 67	SS	PA 12	N/A	N/A	RK 4.21T-*	4	
10-30 VDC	3000	≤150	-25 to +70	IP 67	SS	PA 12	N/A	YE	RK 4T-*	2	
	3000	≤150	-25 to +70	IP 67	SS	PA 12	N/A	YE	RK 4T-*	2	
10-30 VDC	3000	≤150	-25 to +70	IP 67	SS	PA 12	N/A	YE	RK 4T-*	3	
	3000	≤150	-25 to +70	IP 67	SS	PA 12	N/A	YE	RK 4T-*	3	

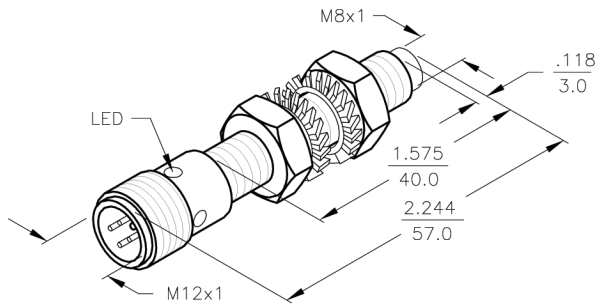
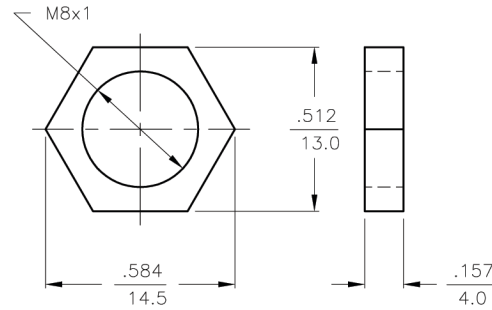
* Length in meters.

WIRING DIAGRAM



SHORT-CIRCUIT AND OVERLOAD PROTECTED

LOCKNUT LN-SS08



SPECIFICATIONS

OPERATING VOLTAGE	10-30 VDC	
RIPPLE	≤ 10%	
DIFFERENTIAL TRAVEL (HYSTERESIS)	3-15% (5% TYPICAL)	
VOLTAGE DROP ACROSS CONDUCTING SENSOR	≤ 1.8 V at 150 mA	
OUTPUT FUNCTION	NORMALLY OPEN 3-WIRE DC SELF-CONTAINED	
TTL COMPATIBLE	NO	
SHORT-CIRCUIT PROTECTED	YES	
TRIGGER CURRENT FOR OVERLOAD PROTECTION	≥ 180 mA	
CONTINUOUS LOAD CURRENT	≤ 150 mA	
LEAKAGE (OFF-STATE) CURRENT	< 10 μA	
NO-LOAD CURRENT	8.5-13 mA	
TIME DELAY BEFORE AVAILABILITY	≤ 8 ms	
POWER-ON EFFECT PROTECTION	INCORPORATED	
REVERSE POLARITY PROTECTION	INCORPORATED	
WIRE-BREAK PROTECTION	INCORPORATED	
PROTECTION AGAINST TRANSIENTS	EN 60947-5-2	
OPERATING TEMPERATURE	-25°C to +70°C (-13°F to +158°F) W/ 10% TEMP. DRIFT	-30°C to +85°C (-13°F to +185°F) W/ 15% TEMP. DRIFT
ENCLOSURE	MEETS NEMA 1, 3, 4, 6, 13 AND IEC IP67	
SHOCK	30 g, 11 ms	
VIBRATION	55 Hz, 1 mm AMPLITUDE (IN ALL 3 PLANES)	
LED FUNCTION	YELLOW: OUTPUT ENERGIZED	
SENSING RANGE	4.0 mm = .160" (NOMINAL)	
SWITCHING FREQUENCY	2000 Hz	
REPEATABILITY	≤ 2% of NOMINAL SENSING RANGE	
EMBEDDABLE (SHIELDED)	NO	

SOURCE DRAWING - FOR REFERENCE ONLY

RELATED DOCUMENTS 1. 2. 3. 4.	3RD ANGLE PROJECTION	THIS DRAWING IS PROPERTY OF TURCK INC. USE OF THIS DOCUMENT WITHOUT WRITTEN PERMISSION IS PROHIBITED.	 High Technology Sensors and Automation Controls	
MATERIAL STAINLESS STEEL	TOLERANCES UNLESS OTHERWISE SPECIFIED	DRFT CBM	DATE 11/12/03	DESCRIPTION NI 4U-EG08-AP6X-H1341
FINISH	.X ±0.02 .XX ±0.01 .XXX ±0.005 ANGLES ±1° ALL MILLIMETER DIMENSIONS ARE REFERENCE ONLY	DSGN	SCALE NONE	
		UNIT OF MEASUREMENT INCH [MILLIMETER]		IDENTIFICATION NO. S4600640
		DO NOT SCALE THIS DRAWING		REV A
A	DRAWING RELEASE	CBM	11/12/03	FILE: S4600640
REV	DESCRIPTION	BY	DATE	ECO NO.