

# Inductive Sensors



Housing Style - Rectangular	Part Number	ID Number	Features	Embeddable	Sensing Range (mm)	Output
<b>CP40 - Embeddable/Nonembeddable, Terminal Chamber</b> 	Bi 15-CP40-VN4X2/S109	M1526900	<i>Time Delay</i>	•	15	4-Wire NPN
	Ni 20-CP40-VN4X2/S109	M1527100	<i>Time Delay</i>		20	
	Bi 15-CP40-VP4X2/S109	M1504721	<i>Time Delay</i>	•	15	4-Wire PNP
	Ni 30-CP40-VP4X2/S109	M1512521	<i>Time Delay</i>		30	
	Bi 15-CP40-VN4X2/S110	M1527000	<i>Time Delay</i>	•	15	4-Wire NPN
	Ni 20-CP40-VN4X2/S110	M1527300	<i>Time Delay</i>		20	
	Bi 15-CP40-VP4X2/S110	M1509821	<i>Time Delay</i>	•	15	4-Wire PNP
	Ni 20-CP40-VP4X2/S110	M1509921	<i>Time Delay</i>		20	
	Bi 15-CP40-FDZ30X2	M4224100	<b>Prog. Outputs</b>	•	15	2-Wire AC/DC
	Bi 15-CP40-FDZ30X2/S34	M4226100	<b>WFI</b>	•	15	
	Bi 15-CP40-FDZ30X2/S97	M4226600	<b>Low Temp. -40°C</b>	•	15	
	Bi 15U-CP40-FDZ30X2	M4280601	<b>Uprox</b>	•	15	
	Ni 20-CP40-FDZ30X2	M4224200	<b>Prog. Outputs</b>		20	
	Ni 35-CP40-FDZ30X2	M4224500	<b>Prog. Outputs</b>		35	
	Ni 40U-CP40-FDZ30X2	M4280801	<b>Uprox</b>		40	
	Bi 15-CP40-FZ3X2	M1341000	<b>Prog. Outputs</b>	•	15	2-Wire AC/DC
	Bi 15-CP40-FZ3X2/S97	M1341010	<b>Low Temp. -40°C</b>	•	15	
	Bi 15-CP40-FZ3X2/S100	M1377600	<b>High Temp. 100°C</b>	•	15	
	Ni 20-CP40-FZ3X2	M1341100	<b>Prog. Outputs</b>		20	
	Ni 20-CP40-FZ3X2/S100	M1377500	<b>High Temp. 100°C</b>		20	
	Ni 20NF-CP40-FZ3X2	M1378200	<b>Prog. Outputs</b>		20	
	Ni 35-CP40-FZ3X2	M1341300	<b>Prog. Outputs</b>		35	
	Ni 40-CP40-FZ3X2/S100	M1374802	<b>High Temp. 100°C</b>			
	Bi 15-CP40-FZ3X2/S109	M1373700	<i>Time Delay</i>	•	15	2-Wire AC
	Bi 15-CP40-FZ3X2/S110	M1373500	<i>Time Delay</i>	•	15	
	Ni 20-CP40-FZ3X2/S109	M1374500	<i>Time Delay</i>		20	
Ni 20-CP40-FZ3X2/S110	M1374600	<i>Time Delay</i>		20		
Ni 30-CP40-FZ3X2/S109	M1374700	<i>Time Delay</i>		30		
Ni 30-CP40-FZ3X2/S110	M1374400	<i>Time Delay</i>		30		
Bi 15-CP40-VDZ3X2	M4222700	<b>Comp. Outputs</b>	•	15	4-Wire AC/DC	
Bi 15-CP40-Y1X	M1012000		•	15	NAMUR	
Ni 20-CP40-Y1X	M1012100			20		

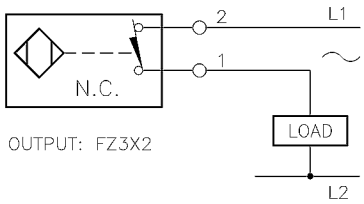
WFI = Weld-Field Immune Sensors.  
 "/S109" Designates on Delay.  
 "/S110" Designates off Delay.



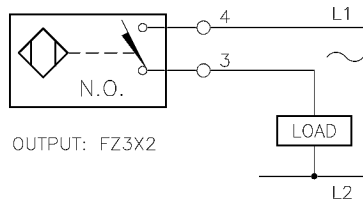
Voltage	Switching Freq. (Hz)	Operating Current (mA)	Operating Temp. (°C)	Protection	Housing	Front Cap/Face	Power LED	Output LED	Mating Cord, Cable Length/Jacket	Wiring Diagram #	Wiring Diagrams
10-65 VDC	- -	≤200	-25 to +70	IP 67	PBT	PBT	GN	YE	- - - -	1	<b>Diagram 1</b> 
	- -	≤200	-25 to +70	IP 67	PBT	PBT	GN	YE	- - - -	1	
10-65 VDC	- -	≤200	-25 to +70	IP 67	PBT	PBT	GN	YE	- - - -	2	
	- -	≤200	-25 to +70	IP 67	PBT	PBT	GN	YE	- - - -	2	
10-65 VDC	- -	≤200	-25 to +70	IP 67	PBT	PBT	GN	YE	- - - -	1	<b>Diagram 2</b> 
	- -	≤200	-25 to +70	IP 67	PBT	PBT	GN	YE	- - - -	2	
10-300 VDC 20-250 VAC	60	≤400/300	-25 to +70	IP 67	PBT	PBT	GN	YE	- - - -	3	<b>Diagram 3</b> 
	30	≤400/300	-25 to +70	IP 67	PBT	PBT	GN	YE	- - - -	3	
	60	≤400/300	-40 to +70	IP 67	PBT	PBT	GN	YE	- - - -	3	
	60	≤400/300	-30 to +85	IP 67	PBT	PBT	GN	YE	- - - -	3	
	60	≤400/300	-25 to +70	IP 67	PBT	PBT	GN	YE	- - - -	3	
	60	≤400/300	-25 to +70	IP 67	PBT	PBT	GN	YE	- - - -	3	
	60	≤400/300	-30 to +85	IP 67	PBT	PBT	GN	YE	- - - -	3	
10-300 VDC 20-250 VAC	20	≤400/300	-25 to +70	IP 67	PBT	PBT	GN	YE	- - - -	4	
	20	≤400/300	-40 to +70	IP 67	PBT	PBT	GN	YE	- - - -	4	
	20	≤400/300	-25 to +100	IP 67	PBT	PBT	GN	YE	- - - -	4	
	20	≤400/300	-25 to +70	IP 67	PBT	PBT	GN	YE	- - - -	4	
	20	≤400/300	-25 to +100	IP 67	PBT	PBT	GN	YE	- - - -	4	
	20	≤400/300	0 to +60	IP 67	PBT	PBT	GN	YE	- - - -	4	
	20	≤400/300	-25 to +70	IP 67	PBT	PBT	GN	YE	- - - -	4	
	20	≤400/300	-25 to +100	IP 67	PBT	PBT	GN	YE	- - - -	4	
20-250 VAC	20	≤400/300	-25 to +70	IP 67	PBT	PBT	GN	YE	- - - -	4	<b>Diagram 5</b> 
	20	≤400/300	-25 to +70	IP 67	PBT	PBT	GN	YE	- - - -	4	
	20	≤400/300	-25 to +70	IP 67	PBT	PBT	GN	YE	- - - -	4	
	20	≤400/300	-25 to +70	IP 67	PBT	PBT	GN	YE	- - - -	4	
	20	≤400/300	-25 to +70	IP 67	PBT	PBT	GN	YE	- - - -	4	
	20	≤400/300	-25 to +70	IP 67	PBT	PBT	GN	YE	- - - -	4	
20-250 VAC 20-320 VDC	30	≤400/300	-25 to +70	IP 67	PBT	PBT	GN	YE	- - - -	4	
5-30 VDC	150	Remote	-25 to +70	IP 67	PBT	PBT	N/A	YE	- - - -	5	
	150	Remote	-25 to +70	IP 67	PBT	PBT	N/A	YE	- - - -	5	

Rectangular

WIRING DIAGRAMS

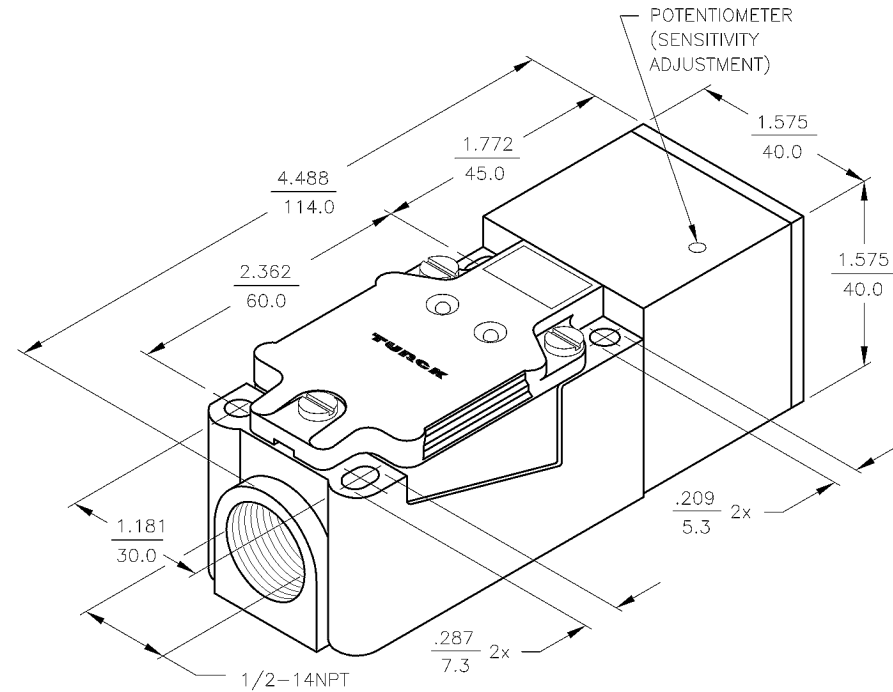


-OR-



OUTPUT: FZ3X2

OUTPUT: FZ3X2



SPECIFICATIONS

OPERATING VOLTAGE	20-250 VAC/VDC
LINE FREQUENCY	40-60 Hz
DIFFERENTIAL TRAVEL (HYSTERESIS)	3-15% (5% TYPICAL)
VOLTAGE DROP ACROSS CONDUCTING SENSOR	≤ 7.0 V at 500 mA
OUTPUT FUNCTION	CONNECTION PROGRAMMABLE NORMALLY OPEN OR NORMALLY CLOSED
SHORT-CIRCUIT PROTECTED	NO
CONTINUOUS LOAD CURRENT	≤ 500 mA
OFF-STATE (LEAKAGE) CURRENT	≤ 1.7 mA
MINIMUM LOAD CURRENT	≥ 5.0 mA
INRUSH CURRENT	≤ 8.0 mA (≤ 10 ms/5 Hz)
TIME DELAY BEFORE AVAILABILITY	≤ 80 ms
POWER-ON EFFECT PROTECTION	INCORPORATED
PROTECTION AGAINST TRANSIENTS	5 kV, 10 ms, 10 kΩ
OPERATING TEMPERATURE	-25°C to +70°C (-13°F to +158°F)
ENCLOSURE	MEETS NEMA 1, 3, 4, 6, 13 AND IEC IP67
SHOCK	30 g, 11 ms
VIBRATION	55 Hz, 1 mm AMPLITUDE (IN ALL 3 PLANES)
LED FUNCTION	RED: OUTPUT ENERGIZED GREEN: POWER ON
RATED OPERATING DISTANCE(S <sub>n</sub> )	35 mm = 1.378" (NOMINAL)
SWITCHING FREQUENCY	20 Hz
REPEATABILITY	≤ 2% of RATED OPERATING DISTANCE
EMBEDDABLE (SHIELDED)	NO

NOTES:

1. SENSING HEAD TURNS TO ACCOMMODATE 9 DIFFERENT SENSING POSITIONS.

RELATED DOCUMENTS 1. 2. 3. 4.	3RD ANGLE PROJECTION 	THIS DRAWING IS PROPERTY OF TURCK INC. USE OF THIS DOCUMENT WITHOUT WRITTEN PERMISSION IS PROHIBITED.		<b>TURCK INC</b> High Technology Sensors and Automation Controls	
	MATERIAL PBT-GF30-VO PLASTIC	TOLERANCES UNLESS OTHERWISE SPECIFIED .X ±0.02 .XX ±0.01 .XXX ±0.005 ANGLES ±1° ALL MILLIMETER DIMENSIONS ARE REFERENCE ONLY	DRFT GMB DATE 7/11/88		
	FINISH	UNIT OF MEASUREMENT <b>INCH   MILLIMETER  </b>	DSGN SCALE NONE	IDENTIFICATION NO. M1341300	REV D
	DO NOT SCALE THIS DRAWING		FILE: M1341300	SHEET 1 OF 1	

D	UPDATE VOLTAGE SPEC FROM VAC	TR	07/12/07	18321
REV	DESCRIPTION	BY	DATE	ECO NO.