

Inductive Sensors

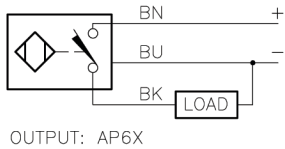


Housing Style	Part Number	ID Number	Features	Sensing Range (mm)	Output
8 mm - Nonembeddable, Miniature Threaded Barrel, Potted-In Cable 	Ni 4-EG08K-AG41X	S4561010	<i>Short Barrel</i>	4	2-Wire DC
	Ni 3-EG08K-AN6X	S4669700	<i>Short Barrel</i>	3	3-Wire DC NPN
	Ni 3-EG08K-AP6X	S4669600	<i>Short Barrel</i>	3	3-Wire DC PNP
	Ni 3-EG08K-Y1	S1003700	<i>Short Barrel</i>	3	2-Wire DC NAMUR
8 mm - Nonembeddable, Miniature Threaded Barrel, Potted-In Cable 	Ni 4-EG08-AG41X	S4561000		4	2-Wire DC
	Ni 3-EG08-AN6X	S4602840		3	3-Wire DC NPN
	Ni 3-EG08-AN6X/S1589	S4602888	<i>weldguard</i>	3	
	Ni 3-EG08-AN7X	S4669759	<i>TTL Compatible</i>	3	
	Ni 4U-EG08-AN6X	S4600610	<i>Uprox</i>	4	
	Ni 3-EG08-AP6X	S4602740		3	3-Wire DC PNP
	Ni 3-EG08-AP6X/S1589	S4602789	<i>weldguard</i>	3	
Ni 4U-EG08-AP6X	S4600600	<i>Uprox</i>	4		



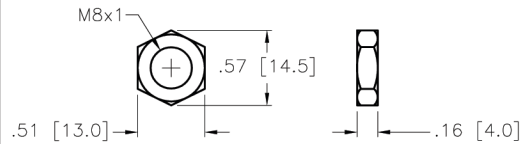
Voltage	Switching Freq. (Hz)	Operating Current (mA)	Operating Temp. (°C)	Protection	Housing	Face	End Cap	Power LED	Output LED	Cable Length/ Cable Mat.	Wiring Diagram #	Wiring Diagrams
10-65 VDC	1000	≤100	-25 to +70	IP 67	SS	PA 12	TROG	N/A	YE	2M/PUR	1	Diagram 1
10-30 VDC	3000	≤150	-25 to +70	IP 67	SS	PA 12	TROG	N/A	YE	2M/PUR	2	
10-30 VDC	3000	≤150	-25 to +70	IP 67	SS	PA 12	TROG	N/A	YE	2M/PUR	3	Diagram 2
5-30 VDC	5000	Remote	-25 to +70	IP 67	SS	PA 12	TROG	N/A	N/A	2M/PVC	4	
10-65 VDC	1000	≤100	-25 to +70	IP 67	SS	PA 12	TROG	N/A	YE	2M/PUR	1	Diagram 3
10-30 VDC	3000	≤150	-25 to +70	IP 67	SS	PA 12	TROG	N/A	YE	2M/PUR	2	
	3000	≤150	-25 to +70	IP 67	SS	WG	TROG	N/A	YE	2M/PUR	2	
	2000	≤150	-25 to +70	IP 67	SS	PA 12	TROG	N/A	YE	2M/PUR	2	
	2000	≤150	-30 to +85	IP 68	SS	PA 12	TROG	N/A	YE	2M/PUR	2	
10-30 VDC	3000	≤150	-25 to +70	IP 67	SS	PA 12	TROG	N/A	YE	2M/PUR	3	Diagram 4
	3000	≤150	-25 to +70	IP 67	SS	WG	TROG	N/A	YE	2M/PUR	3	
	2000	≤150	-30 to +85	IP 68	SS	PA 12	TROG	N/A	YE	2M/PUR	3	

WIRING DIAGRAM



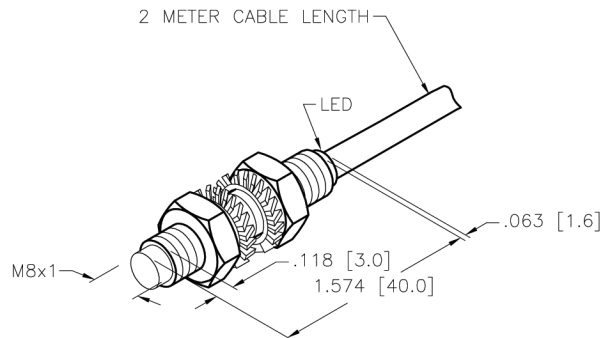
SHORT-CIRCUIT AND OVERLOAD PROTECTED

LOCKNUT LN-SS08



SPECIFICATIONS

OPERATING VOLTAGE	10-30 VDC
RIPPLE	≤10%
DIFFERENTIAL TRAVEL (HYSTERESIS)	3-15% (5% TYPICAL)
VOLTAGE DROP ACROSS CONDUCTING SENSOR	≤1.8 V at 150 mA
OUTPUT FUNCTION	NORMALLY OPEN 3-WIRE DC
TTL COMPATIBLE	NO
SHORT-CIRCUIT PROTECTED	YES
TRIGGER CURRENT FOR OVERLOAD PROTECTION	≥170 mA
CONTINUOUS LOAD CURRENT	≤150 mA
LEAKAGE (OFF-STATE) CURRENT	<100 μA
NO-LOAD CURRENT	≤10 mA
TIME DELAY BEFORE AVAILABILITY	≤8 ms
POWER-ON EFFECT	Per IEC 947-5-2
REVERSE POLARITY PROTECTION	INCORPORATED
WIRE-BREAK PROTECTION	INCORPORATED
PROTECTION AGAINST TRANSIENTS	Per EN 60947-5-2
OPERATING TEMPERATURE	-25°C to +70°C (-13°F to +158°F)
ENCLOSURE	MEETS NEMA 1, 3, 4, 4X 6, 13 AND IEC IP67
SHOCK	30 g, 11 ms
VIBRATION	55 Hz, 1 mm AMPLITUDE (IN ALL 3 PLANES)
LED FUNCTION	YELLOW: OUTPUT ENERGIZED
RATED OPERATING DISTANCE(Sn)	3mm = .118" (NOMINAL)
SWITCHING FREQUENCY	3000 Hz
REPEATABILITY	≤2% of RATED OPERATING DISTANCE
EMBEDDABLE (SHIELDED)	NO



NOTES:

- LEAD LENGTH MEASURED FROM BACK OF SENSOR TO END OF CABLE.
- MATERIAL: BARREL - STAINLESS STEEL
LOCKNUTS/LOCKWASHERS - STAINLESS STEEL
SENSING FACE - PA12-GF30 PLASTIC
END CAP - TROGAMID T

SOURCE DRAWING - FOR REFERENCE ONLY

RELATED DOCUMENTS		3RD ANGLE PROJECTION		THIS DRAWING IS PROPERTY OF TURCK INC. USE OF THIS DOCUMENT WITHOUT WRITTEN PERMISSION IS PROHIBITED.		TURCK INC High Technology Sensors and Automation Controls	
1. 2. 3. 4.				DRFT	CBM	DATE	DESCRIPTION
MATERIAL		TOLERANCES UNLESS OTHERWISE SPECIFIED		DSGN	SCALE	04/10/03	NI 3-EG08-AP6X
FINISH		.X ±0.02 .XX ±0.01 .XXX ±0.005 ANGLES ±1°		UNIT OF MEASUREMENT INCH [MILLIMETER]		IDENTIFICATION NO.	REV
A		DRAWING RELEASE		DO NOT SCALE THIS DRAWING		S4602740	A
REV	DESCRIPTION	BY	DATE	ECO NO.	FILE: S4602740	SHEET 1 OF 1	