

Inductive Sensors



Housing Style	Part Number	ID Number	Features	Sensing Range (mm)	Output
8 mm - Nonembeddable, Miniature Threaded, eurofast® Quick Disconnect 	Ni 4-EG08K-AG41X-H1341	S4561011	Short Barrel	4	2-Wire DC
	Ni 4-EG08K-AG41X-H1341/S1589	S4561090	weldguard	4	
	Ni 3-EG08K-AN6X-H1341	S4669760	Short Barrel	3	3-Wire DC NPN
	Ni 3-EG08K-AP6X-H1341	S4669660	Short Barrel	3	3-Wire DC PNP
	Ni 3-EG08K-Y1-H1341	S1003720	Short Barrel	3	2-Wire DC NAMUR
Ni 3-EG08K-Y1X-H1341	S1003704		3		
8 mm - Nonembeddable, Miniature Threaded, eurofast Quick Disconnect 	Ni 4-EG08-AG41X-H1341	S4561001		4	2-Wire DC
	Ni 4-EG08-AG41X-H1341/S1589	S4561091	weldguard	4	
	Ni 3-EG08-AN6X-H1341	S4602860		3	3-Wire DC NPN
	Ni 3-EG08-AN6X-H1341/S1589	S4602889	weldguard	3	
	Ni 4U-EG08-AN6X-H1341	S4600650	Uprox	4	
	Ni 3-EG08-AN7X-H1341	S4669761	TTL Compatible	3	
	Ni 3-EG08-AP6X-H1341	S4602760		3	3-Wire DC PNP
	Ni 3-EG08-AP6X-H1341/S1589	S4602799	weldguard	3	
	Ni 4U-EG08-AP6X-H1341	S4600640	Uprox	4	
	Ni 4U-EG08-AP6X-H1341/S1589	S4600640-1	Uprox/weldguard	4	
Ni 3-EG08-Y1-H1341	S1003730		3	2-Wire DC NAMUR	
8 mm - Nonembeddable, Miniature Threaded, eurofast Quick Disconnect 	Ni 2-G08-AN6X-H1341	S4603300		2	3-Wire DC NPN
	Ni 3-G08-AN6X-H1341	S4602704		3	
	Ni 2-G08-AP6X-H1341	S4603200		2	3-Wire DC PNP
	Ni 3-G08-AP6X-H1341	S4602705		3	

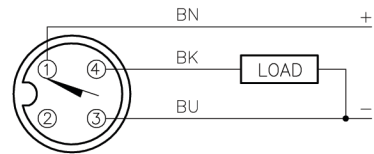


Voltage	Switching Freq. (Hz)	Operating Current (mA)	Operating Temp. (°C)	Protection	Housing	Face	Power LED	Output LED	Mating Cordset	Wiring Diagram #	Wiring Diagrams
10-65 VDC	1000	≤100	-25 to +70	IP 67	SS	PA 12	N/A	YE	RK 4T-*	1	Diagram 1
	1000	≤100	-25 to +70	IP 67	SS	WG	N/A		RK 4T-*	1	
10-30 VDC	3000	≤150	-25 to +70	IP 67	SS	PA 12	N/A	YE	RK 4T-*	2	Diagram 2
10-30 VDC	3000	≤150	-25 to +70	IP 67	SS	PA 12	N/A	YE	RK 4T-*	3	
5-30 VDC	5000	Remote	-25 to +70	IP 67	SS	PA 12	N/A	N/A	RK 4.21T-*	4	
	5000	Remote	-25 to +70	IP 67	SS	PA 12	N/A	N/A	RK 4.21T-*	4	
10-65 VDC	1000	≤100	-25 to +70	IP 67	SS	PA 12	N/A	YE	RK 4T-*	1	Diagram 3
	1000	≤100	-25 to +70	IP 67	SS	WG	N/A	YE	RK 4T-*	1	
10-30 VDC	3000	≤150	-25 to +70	IP 67	SS	PA 12	N/A	YE	RK 4T-*	2	
	3000	≤150	-25 to +70	IP 67	SS	WG	N/A	YE	RK 4T-*	2	
	2000	≤150	-30 to +85	IP 68	SS	PA 12	N/A	YE	RK 4T-*	2	
	2000	≤150	-25 to +70	IP 67	SS	PA 12	N/A	YE	RK 4T-*	2	
10-30 VDC	3000	≤150	-25 to +70	IP 67	SS	PA 12	N/A	YE	RK 4T-*	3	Diagram 4
	3000	≤150	-25 to +70	IP 67	SS	WG	N/A	YE	RK 4T-*	3	
	2000	≤150	-30 to +85	IP 68	SS	PA 12	N/A	YE	RK 4T-*	3	
	2000	≤150	-30 to +85	IP 67	SS	WG	N/A	YE	RK 4T-*	3	
5-30 VDC	5000	Remote	-25 to +70	IP 67	SS	PA 12	N/A	N/A	RK 4.21T-*	4	
10-30 VDC	3000	≤150	-25 to +70	IP 67	SS	PA 12	N/A	YE	RK 4T-*	2	
	3000	≤150	-25 to +70	IP 67	SS	PA 12	N/A	YE	RK 4T-*	2	
10-30 VDC	3000	≤150	-25 to +70	IP 67	SS	PA 12	N/A	YE	RK 4T-*	3	
	3000	≤150	-25 to +70	IP 67	SS	PA 12	N/A	YE	RK 4T-*	3	

Barrels

* Length in meters.

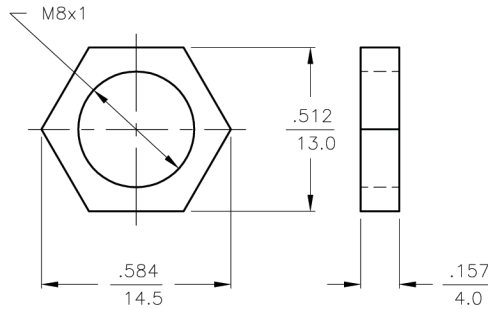
WIRING DIAGRAM



OUTPUT: AP6X

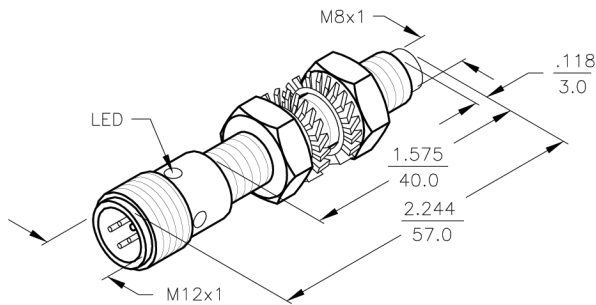
SHORT-CIRCUIT AND OVERLOAD PROTECTED

LOCKNUT LN-SS08



SPECIFICATIONS

OPERATING VOLTAGE	10-30 VDC
RIPPLE	≤ 10%
DIFFERENTIAL TRAVEL (HYSTERESIS)	1-15% (5% TYPICAL)
VOLTAGE DROP ACROSS CONDUCTING SENSOR	≤ 1.8 V at 150 mA
OUTPUT FUNCTION	NORMALLY OPEN 3-WIRE DC SELF-CONTAINED
TTL COMPATIBLE	NO
SHORT-CIRCUIT PROTECTED	YES
TRIGGER CURRENT FOR OVERLOAD PROTECTION	≥ 170 mA
CONTINUOUS LOAD CURRENT	≤ 150 mA
OFF-STATE (LEAKAGE) CURRENT	< 100µ A
NO-LOAD CURRENT	1.0-9.5 mA
TIME DELAY BEFORE AVAILABILITY	≤ 8 ms
POWER-ON EFFECT	Per IEC 947-5-2
REVERSE POLARITY PROTECTION	INCORPORATED
WIRE-BREAK PROTECTION	INCORPORATED
PROTECTION AGAINST TRANSIENTS	EN 60947-5-2
OPERATING TEMPERATURE	-25°C to +70°C (-13°F to +158°F)
ENCLOSURE	MEETS NEMA 1, 3, 4, 6, 13 AND IEC IP67
SHOCK	30 g, 11 ms
VIBRATION	55 Hz, 1 mm AMPLITUDE (IN ALL 3 PLANES)
LED FUNCTION	YELLOW: OUTPUT ENERGIZED
RATED OPERATING DISTANCE(Sn)	2 mm = .079" (NOMINAL)
SWITCHING FREQUENCY	3000 Hz
REPEATABILITY	≤ 2% of RATED OPERATING DISTANCE
EMBEDDABLE (SHIELDED)	NO



SOURCE DRAWING - FOR REFERENCE ONLY

RELATED DOCUMENTS		3RD ANGLE PROJECTION		THIS DRAWING IS PROPERTY OF TURCK INC. USE OF THIS DOCUMENT WITHOUT WRITTEN PERMISSION IS PROHIBITED.		 High Technology Sensors and Automation Controls		
1.			TOLERANCES UNLESS OTHERWISE SPECIFIED .X ±0.02 .XX ±0.01 .XXX ±0.005 ANGLES ±1° ALL MILLIMETER DIMENSIONS ARE REFERENCE ONLY	DRFT	IK	DATE	7/10/97	
2.				MATERIAL	STAINLESS STEEL		DSGN	-
3.		FINISH		UNIT OF MEASUREMENT		DESCRIPTION		
4.				INCH [MILLIMETER]		NI 3-EG08-AP6X-H1341		
				DO NOT SCALE THIS DRAWING		IDENTIFICATION NO.	REV	
						S4602760	C	
C	UPDATE WIRING DIAGRAM	RDS	09/27/07	18998		FILE: S4602760	SHEET 1 OF 1	
REV	DESCRIPTION	BY	DATE	ECO NO.				