

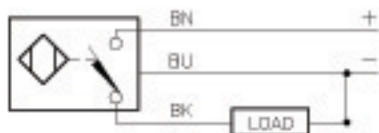
Inductive Sensors



Housing Style - Rectangular	Part Number	ID Number	Features	Embeddable	Sensing Range (mm)	Output	
14 mm - Embeddable/Nonembeddable, Potted-In Cable 	Ni20-Q14-AD4X	M4414557			20	2-Wire DC	
	Bi10U-Q14-AN6X2	M1608710	<i>Uprox</i>	•	10	3-Wire DC NPN	
	Bi10-Q14-AN6X2	M1608320		•	10		
	Ni20-Q14-AN6X2	M4690220			20		
	Bi10U-Q14-AP6X2	M1608700	<i>Uprox</i>	•	10	3-Wire DC PNP	
	Bi10-Q14-AP6X2	M1608720		•	10		
	Ni20-Q14-AP6X2	M4690205		•	20		
	Bi10-Q14-ADZ32X2	M4256220			•	10	2-Wire AC/DC Short-Circuit Protected
	Bi10-Q14-ADZ32X2/S34	M4256225	<i>Weld-field Immune</i>	•	10		
	Ni20-Q14-ADZ32X2	M4205410			20		
Bi10-Q14-Y0X	M1608730			•	10	2-Wire NAMUR	
14 mm - Embeddable/Nonembeddable, picofast® Connector 	Bi10-Q14-AN6X2-V1131	M1608325		•	10	3-Wire DC NPN	
	Bi10U-Q14-AN6X2-V1131	M1608510	<i>Uprox</i>	•	10		
	Ni20-Q14-AN6X2-V1131	M4690221			20		
	Bi10-Q14-AP6X2-V1131	M1608530		•	10	3-Wire DC PNP	
	Bi10U-Q14-AP6X2-V1131	M1608500	<i>Uprox</i>	•	10		
	Ni20-Q14-AP6X2-V1131	M4690210			20		

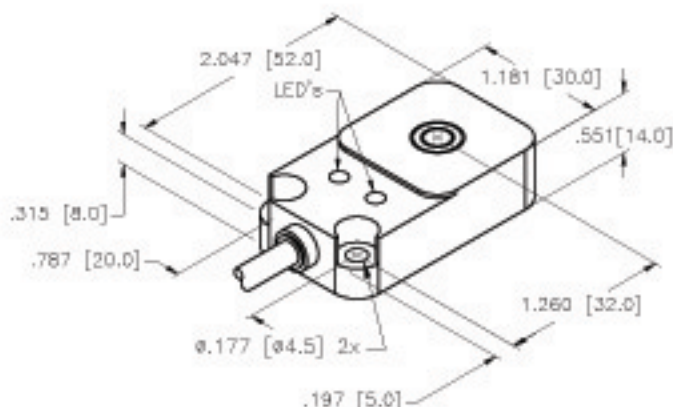
Voltage	Switching Freq. (Hz)	Operating Current (mA)	Operating Temp. (°C)	Protection	Housing	Front Cap/Face	Power LED	Output LED	Mating Cord, Cable Length/Jacket	Wiring Diagram #	Wiring Diagrams
10-65 VDC	150	≤100	-25 to +70	IP 67	PBT	PBT	N/A	YE	2M/PVC	1	<p>Diagram 1</p>
10-30 VDC	250	≤200	-30 to +85	IP 67	PBT	PBT	GN	YE	2M/PVC	2	<p>Diagram 2</p>
	250	≤200	-25 to +70	IP 67	PBT	PBT	GN	YE	2M/PVC	2	
	250	≤200	-25 to +70	IP 67	PBT	PBT	GN	YE	2M/PVC	2	
10-30 VDC	250	≤200	-30 to +85	IP 67	PBT	PBT	GN	YE	2M/PVC	3	<p>Diagram 3</p>
	250	≤200	-25 to +70	IP 67	PBT	PBT	GN	YE	2M/PVC	3	
	250	≤200	-25 to +70	IP 67	PBT	PBT	GN	YE	2M/PVC	3	
20-250 VAC 10-300 VDC	20	≤100	-25 to +70	IP 67	PBT	PBT	GN	YE	2M/PVC	4	<p>Diagram 4</p>
	30	≤100	-25 to +70	IP 67	PBT	PBT	GN	YE	2M/PVC	4	
	20	≤100	-25 to +70	IP 67	PBT	PBT	GN	YE	2M/PVC	4	
5-30 VDC	250	Remote	-25 to +70	IP 67	PBT	PBT	N/A	YE	2M/PVC	5	<p>Diagram 5</p>
10-30 VDC	250	≤200	-25 to +70	IP 67	PBT	PBT	GN	YE	PKG 3M-*	6	<p>Diagram 6</p>
	250	≤200	-30 to +85	IP 67	PBT	PBT	GN	YE	PKG 3M-*	6	
	250	≤200	-25 to +70	IP 67	PBT	PBT	GN	YE	PKG 3M-*	6	
10-30 VDC	250	≤200	-25 to +70	IP 67	PBT	PBT	GN	YE	PKG 3M-*	7	<p>Diagram 7</p>
	250	≤200	-30 to +85	IP 67	PBT	PBT	GN	YE	PKG 3M-*	7	
	250	≤200	-25 to +70	IP 67	PBT	PBT	GN	YE	PKG 3M-*	7	

WIRING DIAGRAM



OUTPUT: AP6X

SHORT-CIRCUIT AND OVERLOAD PROTECTED


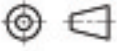


SPECIFICATIONS

RATED OPERATING DISTANCE	20mm = .787" (NOMINAL)
MOUNTING MODE	NON-FLUSH
MIN. REPEAT ACCURACY	≤ 2%
TEMPERATURE DRIFT	≤ ±10%
HYSTERESIS (SWITCHING DISTANCE)	3-15%
OPERATING TEMPERATURE	-25°C to +70°C (-13°F to +158°F)
RATED OPERATIONAL VOLTAGE	10-30 VDC
MAX. RIPPLE	≤ 10%
DC RATED OPERATIONAL CURRENT	≤ 200 mA
NO-LOAD CURRENT	≤ 15 mA
RESIDUAL CURRENT	≤ 0.1 mA
RATED INSULATION VOLTAGE	≤ 0.5 kV
SHORT-CIRCUIT PROTECTION	YES, CYCLIC
MAX. VOLTAGE DROP	≤ 1.8 V
WIRE BREAKAGE PROTECTION	INCORPORATED
REVERSE POLARITY PROTECTION	INCORPORATED
OUTPUT FUNCTION	3-WIRE, NORMALLY OPEN, PNP
MAX. SWITCHING FREQUENCY	≤ 0.25 kHz
HOUSING MATERIAL	PLASTIC, PBT-GF30-V0
MATERIAL ACTIVE FACE	PLASTIC, PBT-GF30-V0
CABLE	#5.2, UYY-11Y, PUR, 2.0 METERS
VIBRATION RESISTANCE	55 Hz, 1 mm AMPLITUDE (IN ALL 3 PLANES)
SHOCK RESISTANCE	30 g, 11 ms
DEGREE OF PROTECTION	IP67
OPERATING VOLTAGE DISPLAY	LED, GREEN
SWITCHING STATUS INDICATION	LED, YELLOW

CABLE LENGTH	TOLERANCE
ALL LENGTHS	+ .4% (OR 50mm) OF LENGTH - .0% (OR 0mm) OF LENGTH WHICHEVER IS GREATER
STRIP LENGTH	TOLERANCE
0-7mm	±3.0mm
8-20mm	±3.0mm
30-40mm	±3.0mm
50-60mm	±3.0mm
70-100mm	±4.0mm
OVER 100mm	±4.0mm

SOURCE DRAWING - FOR REFERENCE ONLY

RELATED DOCUMENTS	3RD ANGLE PROJECTION	THIS DRAWING IS PROPERTY OF TURCK INC. USE OF THIS DOCUMENT WITHOUT WRITTEN PERMISSION IS PROHIBITED.		 High Technology Sensors and Automation Controls	
1. 2. 3. 4.		DRFT	RDS		
MATERIAL	TOLERANCES UNLESS OTHERWISE SPECIFIED	DRSN	TB	SCALE 1 = 1.0	IDENTIFICATION NO. M4690205
SEE SPECIFICATIONS	.X ±0.02 .XX ±0.01 .XXX ±0.005 ANGLES ±1°	UNIT OF MEASUREMENT INCH [MILLIMETER]		REV A	
FINISH	ALL MILLIMETER DIMENSIONS ARE REFERENCE ONLY	DO NOT SCALE THIS DRAWING		FILE: M4690205	SHEET 1 OF 1
SEE SPECIFICATIONS					

A	DRAWING RELEASE	RDS	11/29/06	
REV	DESCRIPTION	BY	DATE	EDD NO.