

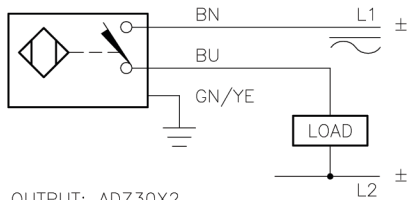
# Inductive Sensors



Housing Style	Part Number	ID Number	Features	Sensing Range (mm)	Output	
<b>30 mm - Nonembeddable, Potted-In Cable</b> 	Ni 15-G30K-AN6X	T4671700	Short Barrel	15	3-Wire DC NPN	
	Ni 15-G30K-AP6X	T4670700	Short Barrel	15	3-Wire DC PNP	
	Ni 15-G30-Y0	T1006300		15	2-Wire DC NAMUR	
	Ni 15-G30-Y0X	T4020100		15		
<b>30 mm - Nonembeddable, Potted-In Cable</b> 	Ni 15-G30-AN6X	T4647700		15	3-Wire DC NPN	
	Ni 15-G30-AN7X	T1714900		15		
	Ni 15-G30-AP6X	T4647600			15	3-Wire DC PNP
	Ni 20-G30-ADZ30X2	T4205404			20	2-Wire AC/DC Short-Circuit Protected
	Ni 15-G30-AZ3X	T1306000			15	2-Wire AC/DC

Voltage	Switching Freq. (Hz)	Operating Current (mA)	Operating Temp. (°C)	Protection	Housing	Face	End Cap	Power LED	Output LED	Cable Length/ Cable Mat.	Wiring Diagram #	Wiring Diagrams
10-30 VDC	500	≤200	-25 to +70	IP 67	CPB	PA 12	EPTR	N/A	YE	2M/PVC	1	<p><b>Diagram 1</b></p>
10-30 VDC	500	≤200	-25 to +70	IP 67	CPB	PA 12	EPTR	N/A	YE	2M/PVC	2	<p><b>Diagram 2</b></p>
5-30 VDC	200	Remote	-25 to +70	IP 67	CPB	PA 12	EPTR	N/A	N/A	2M/PVC	3	<p><b>Diagram 3</b></p>
	200	Remote	-25 to +70	IP 67	CPB	PA 12	EPTR	N/A	YE	2M/PVC	3	
10-30 VDC	500	≤200	-25 to +70	IP 67	CPB	PA 12	EPTR	N/A	YE	2M/PVC	1	<p><b>Diagram 4</b></p>
	500	≤200	-25 to +70	IP 67	CPB	PA 12	EPTR	N/A	YE	2M/PVC	1	
10-30 VDC	500	≤200	-25 to +70	IP 67	CPB	PA 12	EPTR	N/A	YE	2M/PVC	2	<p><b>Diagram 3</b></p>
20-250 VAC 10-300 VDC	20	≤400/300	-25 to +70	IP 67	CPB	PA 12	EPTR	GN	RD	2M/PVC	4	<p><b>Diagram 4</b></p>
20-250 VAC 10-300 VDC	20	≤400/300	-25 to +70	IP 67	CPB	PA 12	EPTR	N/A	RD	2M/PVC	4	<p><b>Diagram 4</b></p>

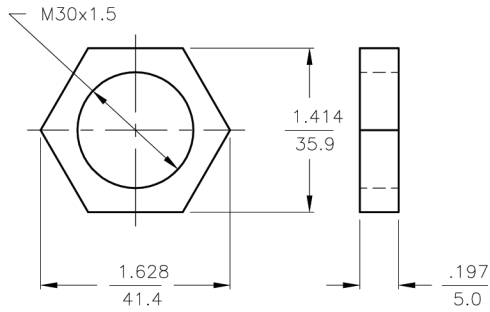
WIRING DIAGRAMS



OUTPUT: ADZ30X2

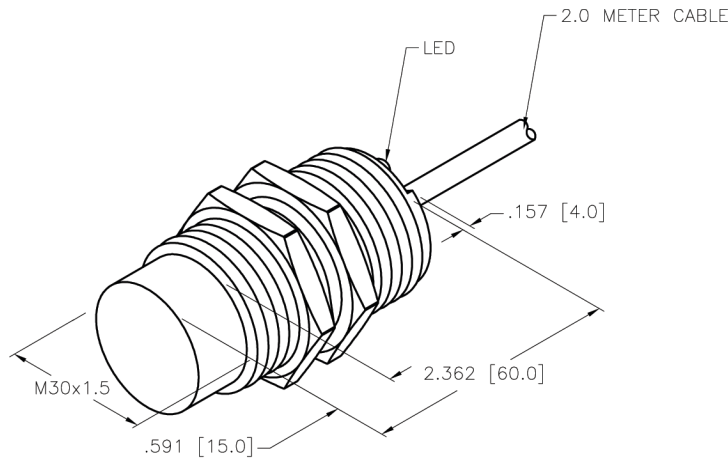
SHORT-CIRCUIT AND OVERLOAD PROTECTED

LOCKNUT LN-M30



SPECIFICATIONS

RATED OPERATING DISTANCE	20mm = .787"
MOUNTING MODE	NON-FLUSH
MIN. REPEAT ACCURACY	≤ 2%
TEMPERATURE DRIFT	≤ ±10% ≤ ±15%, ≤ -25°C v ≥ +70°C
HYSTERESIS	3-15%
OPERATING TEMPERATURE	-25°C to +70°C (-13°F to +158°F)
RATED OPERATIONAL VOLTAGE	20-250 VAC/10-300 VDC
RATED OPERATIONAL CURRENT (AC/DC)	≤ 400 mA/≤ 300 mA
MAINS FREQUENCY	50-60 Hz
RESIDUAL CURRENT	≤ 1.7 mA
RATED INSULATION VOLTAGE	≤ 1.5 kV
SURGE CURRENT	≤ 3.0 A (≤ 20 ms MAX. 5 Hz)
SHORT-CIRCUIT PROTECTION	YES
MAX. VOLTAGE DROP	≤ 6.0 V
WIRE BREAKAGE PROTECTION	INCORPORATED
REVERSE POLARITY PROTECTION	INCORPORATED
OUTPUT FUNCTION	2-WIRE, NORMALLY OPEN, AC/DC
SMALLEST OPERATING CURRENT	≥ 3.0 mA
MAX. SWITCHING FREQUENCY	≤ 0.02 kHz
HOUSING MATERIAL	METAL, BRASS/CHROME-PLATED
ACTIVE FACE MATERIAL	PLASTIC, PBT
END CAP MATERIAL	PLASTIC, EPTR
CABLE	ø5.2, LifYY, PVC
VIBRATION RESISTANCE	55 Hz, 1 mm AMPLITUDE (IN ALL 3 PLANES)
SHOCK RESISTANCE	30 g, 11 ms
DEGREE OF PROTECTION	IP67
SWITCHING STATUS INDICATION	LED, YELLOW
OPERATING VOLTAGE INDICATION	LED, GREEN



NOTE  
PRELIMINARY  
SPECIFICATIONS

SOURCE DRAWING - FOR REFERENCE ONLY

RELATED DOCUMENTS		3RD ANGLE PROJECTION		THIS DRAWING IS PROPERTY OF TURCK INC. USE OF THIS DOCUMENT WITHOUT WRITTEN PERMISSION IS PROHIBITED.		 High Technology Sensors and Automation Controls	
1.			DRFT IK DSGN -	DATE 3/16/01	DESCRIPTION NI20-G30-ADZ30X2		
2.				SCALE 1=1.5			
3.		TOLERANCES UNLESS OTHERWISE SPECIFIED .X ±0.02 .XX ±0.01 .XXX ±0.005 ANGLES ±1° ALL MILLIMETER DIMENSIONS ARE REFERENCE ONLY	UNIT OF MEASUREMENT <b>INCH [ MILLIMETER ]</b>		IDENTIFICATION NO. T4205404		REV A
4.			DO NOT SCALE THIS DRAWING		FILE: T4205404	SHEET 1 OF 1	
MATERIAL SEE SPECIFICATIONS		FINISH SEE SPECIFICATIONS		BY CBM		DATE 3/29/01	
A	DRAWING RELEASE	ECO NO.					
REV	DESCRIPTION						

A	DRAWING RELEASE	CBM	3/29/01	
REV	DESCRIPTION	BY	DATE	ECO NO.