

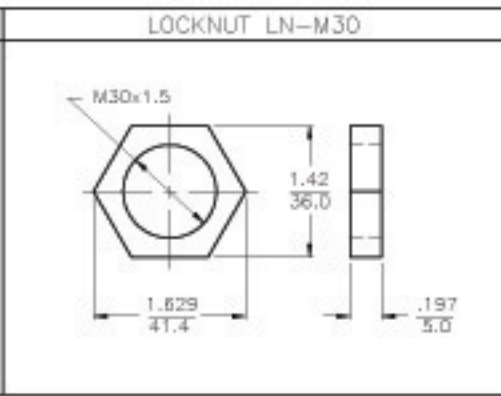
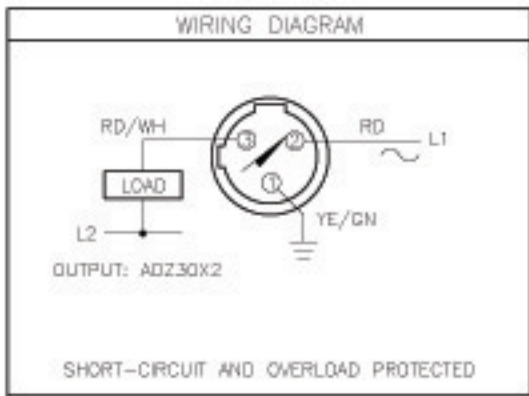
Inductive Sensors



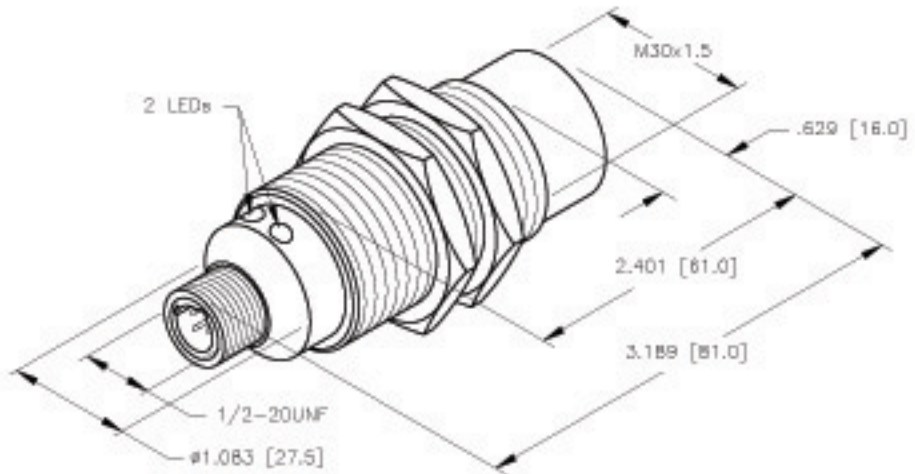
Housing Style	Part Number	ID Number	Features	Sensing Range (mm)	Output
30 mm - Nonembeddable, eurofast® Connection, Extended Barrel Length 	Ni 15-M30E-AD4X-H1141	T4417790		15	2-Wire DC
	Ni 15-M30E-AP6X-H1141	T4617791		15	3-Wire DC PNP
	Ni 15-M30E-VN4X-H1141	T1571590	Comp. Outputs	15	4-Wire DC NPN
	Ni 15-M30E-VP4X-H1141	T1561790	Comp. Outputs	15	4-Wire DC PNP
30 mm - Embeddable, microfast® Connection 	Bi 10-G30-ADZ30X2-B3131	T4207591		10	2-Wire AC/DC Short-Circuit Protected
	Bi 10U-G30-ADZ30X2-B3131	M4281613	Uprox	10	
	Bi 15-EG30H-ADZ30X2-B3131	T4207284	Stoneface	15	
	Bi 15-G30-ADZ30X2-B3131	T4207201		15	
	Bi 10-G30-AZ3X-B3131	T4372298		10	2-Wire AC/DC
30 mm - Embeddable, microfast Connection, Teflon Coated 	Bi 10-GT30-ADZ30X2-B3131/S34	T4256203	WFI	10	2-Wire AC/DC Short-Circuit Protected
	Bi 10-GT30H-ADZ30X2-B3131/S34	T4256094	Stoneface, WFI	10	
	Bi 10-GT30H-ADZ30X2-B3131/S34/S1589	T4255281	weldguard®, WFI	10	
	Bi 10U-GT30-ADZ30X2-B3131	M4281623	Uprox	10	
	Bi 10-GT30H-ADZ30X2-B3131/S34/S1610	T4207287-1	armorguard	10	
30 mm - Nonembeddable, microfast Connection 	Ni 15-G30-AZ3X-B3131	T1306090		15	2-Wire AC
	Ni 20-G30-ADZ30X2-B3131	T4205406		20	2-Wire AC/DC Short-Circuit Protected
	Ni 20U-G30-ADZ30X2-B3131	M4281813	Uprox	20	
30 mm - Nonembeddable, microfast Connection, Teflon Coated 	Ni 20U-GT30-ADZ30X2-B3131	M4281823	Uprox	20	2-Wire AC/DC Short-Circuit Protected

Voltage	Switching Freq. (Hz)	Operating Current (mA) AC/DC	Operating Temp. (°C)	Protection	Housing	Face	Power LED	Output LED	Mating Cordset	Wiring Diagram #	Wiring Diagrams
10-65 VDC	200	≤100	-25 to +70	IP 67	CPB	PA 12	N/A	YE	RK 4,2T-*	1	Diagram 1
10-30 VDC	500	≤200	-25 to +70	IP 67	CPB	PA 12	N/A	YE	RK 4T-*	2	
10-65 VDC	500	≤200	-25 to +70	IP 67	CPB	PA 12	N/A	YE	RK 4,4T-*	3	Diagram 2
10-65 VDC	500	≤200	-25 to +70	IP 67	CPB	PA 12	N/A	YE	RK 4,4T-*	4	
20-250 VAC 10-300 VDC	20	≤400/300	-25 to +70	IP 67	CPB	PA 12	GN	RD	KB 3T-*	5	Diagram 3
	20	≤400/300	-30 to +85	IP 67	CPB	PA 12	GN	YE	KB 3T-*	5	
	20	≤400/300	-25 to +70	IP 67	SS	SF	GN	RD	KBE 3T-*/S600	5	
	20	≤400/300	-25 to +70	IP 67	CPB	PA 12	GN	RD	KB 3T-*	5	
20-250 VAC 10-300 VDC	20	≤400/300	-25 to +70	IP 67	CPB	PA 12	N/A	YE	KB 3T-*	5	
20-250 VAC 10-300 VDC	20	≤400/300	-25 to +70	IP 67	TC	TC	GN	RD	KB 3T-*	5	Diagram 4
	20	≤400/300	-25 to +70	IP 67	TC	SF	GN	RD	KBE 3T-*/S600	5	
	20	≤400/300	-25 to +70	IP 67	TC	WG	GN	RD	KBE 3T-*/S600	5	
	20	≤400/300	-30 to +85	IP 67	TC	TC	GN	YE	KB 3T-*	5	
	20	≤400/300	-25 to +70	IP 67	AG	WG	GN	YE	KBE 3T-*/S600	5	
20-250 VAC 10-300 VDC	20	≤400/300	-25 to +70	IP 67	CPB	PA 12	N/A	YE	KB 3T-*	5	
20-250 VAC 10-300 VDC	20	≤400/300	-25 to +70	IP 67	CPB	PA 12	N/A	YE	KB 3T-*	5	
20-250 VAC 10-300 VDC	20	≤400/300	-25 to +70	IP 67	CPB	PA 12	GN	RD	KB 3T-*	5	Diagram 5
	20	≤400/300	-30 to +85	IP 67	CPB	PA 12	GN	YE	KB 3T-*	5	
20-250 VAC 10-300 VDC	20	≤400/300	-30 to +85	IP 67	TC	TC	GN	YE	KB 3T-*	5	

* Length in meters.



SPECIFICATIONS	
OPERATING VOLTAGE	20-250 VAC / 10-300 VDC
LINE FREQUENCY	40-60 Hz
HYSTERESIS (DIFFERENTIAL TRAVEL)	3-15% (5% TYPICAL)
VOLTAGE DROP ACROSS CONDUCTING SENSOR	≤ 6.0 V at 400 mA
OUTPUT FUNCTION	NORMALLY OPEN 2-WIRE AC/DC SELF-CONTAINED
SHORT-CIRCUIT PROTECTED	YES
TRIGGER CURRENT FOR OVERLOAD PROTECTION	≥ 440 mA
CONTINUOUS LOAD CURRENT	400 mA AC / 300 mA DC
LEAKAGE (OFF-STATE) CURRENT	≤ 1.7 mA
MINIMUM LOAD CURRENT	≥ 3.0 mA
INRUSH CURRENT	≤ 4.0 A (≤20 mA/5 Hz)
TIME DELAY BEFORE AVAILABILITY	≤ 120 ms
POWER-ON EFFECT PROTECTION	PER IEC 947-5-2
PROTECTION AGAINST TRANSIENTS	PER EN 60947-5-2
OPERATING TEMPERATURE	-25°C to +70°C (-13°F to +158°F)
ENCLOSURE	MEETS NEMA 1, 3, 4, 6, 13 AND IEC IP67
SHOCK	30 g, 11 ms
VIBRATION	55 Hz, 1 mm AMPITUDE (IN ALL 3 PLANES)
LED FUNCTION	GREEN = POWER ON FLASHING GREEN = SHORT-CIRCUIT WARNING RED = OUTPUT ENERGIZED
SENSING RANGE	20 mm = .787" (NOMINAL)
SWITCHING FREQUENCY	60 Hz
REPEATABILITY	≤ 2% OF RATED OPERATING DISTANCE
SHIELDED	NO
MATING PLUGS/CABLES	3-PIN "MICROFAST" CONSTRUCTION



SOURCE DRAWING - FOR REFERENCE ONLY

1. ALL DIMENSIONAL TOLERANCES: ±1.0mm

RELATED DOCUMENTS 1. 2. 3. 4.	3RD ANGLE PROJECTION 	THIS DRAWING IS PROPERTY OF TURCK INC. USE OF THIS DOCUMENT WITHOUT WRITTEN PERMISSION IS PROHIBITED.		TURCK INC High Technology Sensors and Automation Controls	
	MATERIAL BRASS BARREL	TOLERANCES UNLESS OTHERWISE SPECIFIED 0.0394in [1.00mm]	DRFT CBM	DATE 11/08/00	DESCRIPTION NI20-G30-ADZ30X2-B3131
FINISH COPPER, NICKEL, CHROME PLATING		UNIT OF MEASUREMENT INCH [MILLIMETER]	SCALE NONE	IDENTIFICATION NO. T4205406	REV A
A DRAWING RELEASE	CBM BY	D3/29/01 DATE	DO NOT SCALE THIS DRAWING		FILE: T4205406 SHEET 1 OF 1