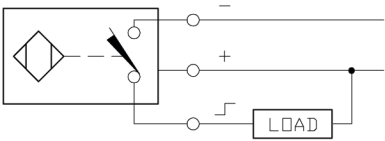
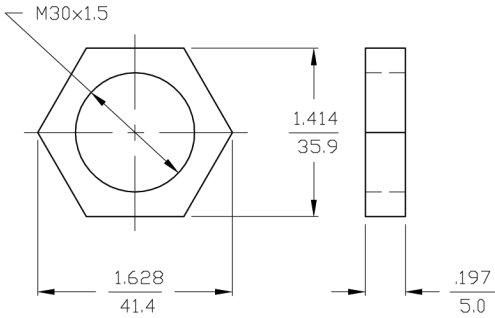
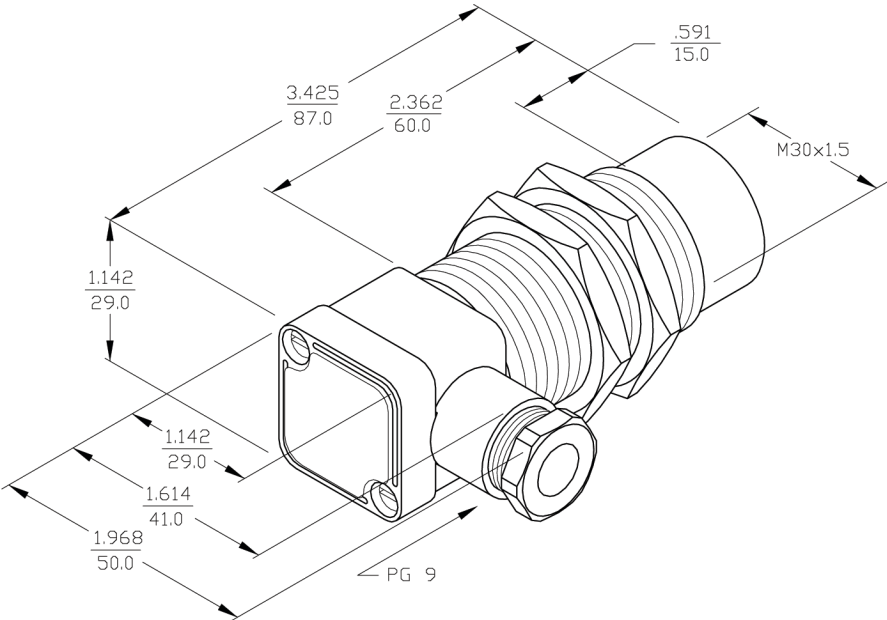
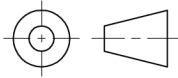
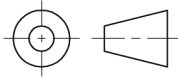
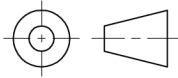
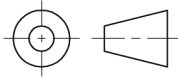
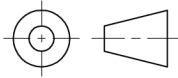
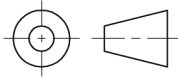


# Inductive Sensors



Housing Style	Part Number	ID Number	Features	Sensing Range (mm)	Output
<b>30 mm - Embeddable, Terminal Chamber</b> 	Bi10-G30SK-AN6X2	T4648500		10	3-Wire DC NPN
	Bi10U-EG30SK-AN6X	M1636420	<i>Uprox</i>	10	
	Bi10-G30SK-AP6X2	T4648400		10	3-Wire DC PNP
	Bi10U-EG30SK-AP6X	M1636400	<i>Uprox</i>	10	
	Bi10-G30SK-AZ3X2	T4346400		10	2-Wire AC/DC
	<b>30 mm - Nonembeddable, Terminal Chamber</b> 	Ni15-G30SK-AN6X2	T4648700		15
Ni20U-EG30SK-AN6X		M1646420	<i>Uprox</i>	20	
Ni15-G30SK-AP6X2		T4648600		15	3-Wire DC PNP
Ni20U-EG30SK-AP6X		M1646400	<i>Uprox</i>	20	
Ni15-G30SK-AZ3X2		T4346500		15	2-Wire AC/DC

Voltage	Switching Freq. (Hz)	Operating Current (mA)	Operating Temp. (°C)	Protection	Housing	Face	End Cap	Power LED	Output LED	Cable Length/ Cable Mat.	Wiring Diagram #	Wiring Diagrams
10-30 VDC	500	≤200	-25 to +70	IP 67	CPB	PA 12	N/A	GN	YE	- - - -	1	<div style="border: 1px solid black; padding: 5px;"> <p style="text-align: center; background-color: #e0f2f1;"><b>Diagram 1</b></p> </div> <div style="border: 1px solid black; padding: 5px; margin-top: 5px;"> <p style="text-align: center; background-color: #e0f2f1;"><b>Diagram 2</b></p> </div> <div style="border: 1px solid black; padding: 5px; margin-top: 5px;"> <p style="text-align: center; background-color: #ffe0b2;"><b>Diagram 3</b></p> </div>
	2000	≤200	-30 to +85	IP 68	SS	PA 12	N/A	N/A	YE	- - - -	1	
10-30 VDC	500	≤200	-25 to +70	IP 67	CPB	PA 12	N/A	GN	YE	- - - -	2	
	2000	≤200	-30 to +85	IP 68	SS	PA 12	N/A	N/A	YE	- - - -	2	
20-250 VAC 10-300 VDC	20	≤400/300	-25 to +70	IP 67	CPB	PA 12	N/A	GN	RD	- - - -	3	
10-30 VDC	500	≤200	-25 to +70	IP 67	CPB	PA 12	N/A	GN	YE	- - - -	1	
	1500	≤200	-30 to +85	IP 68	SS	PA 12	N/A	N/A	YE	- - - -	1	
10-30 VDC	500	≤200	-25 to +70	IP 67	CPB	PA 12	N/A	GN	YE	- - - -	2	
	1500	≤200	-30 to +85	IP 68	SS	PA 12	N/A	N/A	YE	- - - -	2	
20-250 VAC 10-300 VDC	20	≤400/300	-25 to +70	IP 67	CPB	PA 12	N/A	GN	RD	- - - -	3	

WIRING DIAGRAMS		LOCKNUT LN-M30		SPECIFICATIONS																																																			
 <p>OUTPUT: AN6X2</p>				<table border="1"> <tr><td>OPERATING VOLTAGE</td><td>10-30 VDC</td></tr> <tr><td>RIPPLE</td><td>≤10%</td></tr> <tr><td>DIFFERENTIAL TRAVEL (HYSTERESIS)</td><td>3-15% (5% TYPICAL)</td></tr> <tr><td>VOLTAGE DROP ACROSS CONDUCTING SENSOR</td><td>≤1.8 V at 200 mA</td></tr> <tr><td>OUTPUT FUNCTION</td><td>NORMALLY OPEN 3-WIRE DC SELF-CONTAINED</td></tr> <tr><td>TTL COMPATIBLE</td><td>NO</td></tr> <tr><td>SHORT-CIRCUIT PROTECTED</td><td>YES</td></tr> <tr><td>TRIGGER CURRENT FOR OVERLOAD PROTECTION</td><td>≥220 mA</td></tr> <tr><td>CONTINUOUS LOAD CURRENT</td><td>≤200 mA</td></tr> <tr><td>LEAKAGE (OFF-STATE) CURRENT</td><td>&lt;10 μA</td></tr> <tr><td>NO-LOAD CURRENT</td><td>5.5-9.5 mA</td></tr> <tr><td>TIME DELAY BEFORE AVAILABILITY</td><td>≤8 ms</td></tr> <tr><td>POWER-ON EFFECT PROTECTION</td><td>INCORPORATED</td></tr> <tr><td>REVERSE POLARITY PROTECTION</td><td>INCORPORATED</td></tr> <tr><td>WIRE-BREAK PROTECTION</td><td>INCORPORATED</td></tr> <tr><td>PROTECTION AGAINST TRANSIENTS</td><td>2 kV, 1 ms, 1 kΩ</td></tr> <tr><td>OPERATING TEMPERATURE</td><td>-25°C to +70°C (-13°F to +158°F)</td></tr> <tr><td>ENCLOSURE</td><td>MEETS NEMA 1, 3, 4, 6, 13 AND IEC IP67</td></tr> <tr><td>SHOCK</td><td>30 g, 11 ms</td></tr> <tr><td>VIBRATION</td><td>55 Hz, 1 mm AMPLITUDE (IN ALL 3 PLANES)</td></tr> <tr><td>LED FUNCTION</td><td>GREEN: POWER ON RED: OUTPUT ENERGIZED</td></tr> <tr><td>SENSING RANGE</td><td>15 mm = .591" (NOMINAL)</td></tr> <tr><td>SWITCHING FREQUENCY</td><td>500 Hz</td></tr> <tr><td>REPEATABILITY</td><td>≤2% of NOMINAL SENSING RANGE</td></tr> <tr><td>SHIELDED</td><td>NO</td></tr> </table>		OPERATING VOLTAGE	10-30 VDC	RIPPLE	≤10%	DIFFERENTIAL TRAVEL (HYSTERESIS)	3-15% (5% TYPICAL)	VOLTAGE DROP ACROSS CONDUCTING SENSOR	≤1.8 V at 200 mA	OUTPUT FUNCTION	NORMALLY OPEN 3-WIRE DC SELF-CONTAINED	TTL COMPATIBLE	NO	SHORT-CIRCUIT PROTECTED	YES	TRIGGER CURRENT FOR OVERLOAD PROTECTION	≥220 mA	CONTINUOUS LOAD CURRENT	≤200 mA	LEAKAGE (OFF-STATE) CURRENT	<10 μA	NO-LOAD CURRENT	5.5-9.5 mA	TIME DELAY BEFORE AVAILABILITY	≤8 ms	POWER-ON EFFECT PROTECTION	INCORPORATED	REVERSE POLARITY PROTECTION	INCORPORATED	WIRE-BREAK PROTECTION	INCORPORATED	PROTECTION AGAINST TRANSIENTS	2 kV, 1 ms, 1 kΩ	OPERATING TEMPERATURE	-25°C to +70°C (-13°F to +158°F)	ENCLOSURE	MEETS NEMA 1, 3, 4, 6, 13 AND IEC IP67	SHOCK	30 g, 11 ms	VIBRATION	55 Hz, 1 mm AMPLITUDE (IN ALL 3 PLANES)	LED FUNCTION	GREEN: POWER ON RED: OUTPUT ENERGIZED	SENSING RANGE	15 mm = .591" (NOMINAL)	SWITCHING FREQUENCY	500 Hz	REPEATABILITY	≤2% of NOMINAL SENSING RANGE	SHIELDED	NO
OPERATING VOLTAGE	10-30 VDC																																																						
RIPPLE	≤10%																																																						
DIFFERENTIAL TRAVEL (HYSTERESIS)	3-15% (5% TYPICAL)																																																						
VOLTAGE DROP ACROSS CONDUCTING SENSOR	≤1.8 V at 200 mA																																																						
OUTPUT FUNCTION	NORMALLY OPEN 3-WIRE DC SELF-CONTAINED																																																						
TTL COMPATIBLE	NO																																																						
SHORT-CIRCUIT PROTECTED	YES																																																						
TRIGGER CURRENT FOR OVERLOAD PROTECTION	≥220 mA																																																						
CONTINUOUS LOAD CURRENT	≤200 mA																																																						
LEAKAGE (OFF-STATE) CURRENT	<10 μA																																																						
NO-LOAD CURRENT	5.5-9.5 mA																																																						
TIME DELAY BEFORE AVAILABILITY	≤8 ms																																																						
POWER-ON EFFECT PROTECTION	INCORPORATED																																																						
REVERSE POLARITY PROTECTION	INCORPORATED																																																						
WIRE-BREAK PROTECTION	INCORPORATED																																																						
PROTECTION AGAINST TRANSIENTS	2 kV, 1 ms, 1 kΩ																																																						
OPERATING TEMPERATURE	-25°C to +70°C (-13°F to +158°F)																																																						
ENCLOSURE	MEETS NEMA 1, 3, 4, 6, 13 AND IEC IP67																																																						
SHOCK	30 g, 11 ms																																																						
VIBRATION	55 Hz, 1 mm AMPLITUDE (IN ALL 3 PLANES)																																																						
LED FUNCTION	GREEN: POWER ON RED: OUTPUT ENERGIZED																																																						
SENSING RANGE	15 mm = .591" (NOMINAL)																																																						
SWITCHING FREQUENCY	500 Hz																																																						
REPEATABILITY	≤2% of NOMINAL SENSING RANGE																																																						
SHIELDED	NO																																																						
		<table border="1"> <tr> <td colspan="2">MATERIAL</td> <td colspan="2">3RD ANGLE PROJECTION</td> <td colspan="2" rowspan="2" style="text-align: center;"><b>TURCK INC</b></td> </tr> <tr> <td colspan="2">BRASS BARREL</td> <td colspan="2"></td> </tr> <tr> <td colspan="2">FINISH</td> <td colspan="2" rowspan="2"></td> <td colspan="2">PART NO.</td> </tr> <tr> <td colspan="2">COPPER/NICKEL/ CHROME PLATING</td> <td colspan="2">Ni15-G30SK-AN6X2</td> </tr> <tr> <td>DRWN</td> <td>GMB</td> <td>DATE</td> <td>5/2/88</td> <td>SIZE</td> <td>ID NO.</td> </tr> <tr> <td>CHKD</td> <td></td> <td>DATE</td> <td></td> <td>B</td> <td>4648700</td> </tr> <tr> <td colspan="2">TMI</td> <td colspan="2">DIMENSIONS ARE IN</td> <td>SCALE</td> <td>NONE</td> </tr> <tr> <td colspan="2"></td> <td colspan="2">INCHES</td> <td>BMTC-D\4648700</td> <td>SHEET</td> </tr> <tr> <td colspan="2"></td> <td colspan="2">mm</td> <td>OF</td> <td></td> </tr> </table>		MATERIAL		3RD ANGLE PROJECTION		<b>TURCK INC</b>		BRASS BARREL				FINISH				PART NO.		COPPER/NICKEL/ CHROME PLATING		Ni15-G30SK-AN6X2		DRWN	GMB	DATE	5/2/88	SIZE	ID NO.	CHKD		DATE		B	4648700	TMI		DIMENSIONS ARE IN		SCALE	NONE			INCHES		BMTC-D\4648700	SHEET			mm		OF			
MATERIAL		3RD ANGLE PROJECTION		<b>TURCK INC</b>																																																			
BRASS BARREL																																																							
FINISH				PART NO.																																																			
COPPER/NICKEL/ CHROME PLATING				Ni15-G30SK-AN6X2																																																			
DRWN	GMB	DATE	5/2/88	SIZE	ID NO.																																																		
CHKD		DATE		B	4648700																																																		
TMI		DIMENSIONS ARE IN		SCALE	NONE																																																		
		INCHES		BMTC-D\4648700	SHEET																																																		
		mm		OF																																																			
<table border="1"> <tr> <td>A</td> <td>SEE REVISION DOCUMENT NG30SK</td> <td>SWC</td> <td>9/10/93</td> <td></td> </tr> <tr> <td>REV</td> <td>DESCRIPTION</td> <td>DRFT</td> <td>DATE</td> <td>CHKD</td> </tr> <tr> <td colspan="5" style="text-align: center;">REVISIONS</td> </tr> </table>		A	SEE REVISION DOCUMENT NG30SK	SWC	9/10/93		REV	DESCRIPTION	DRFT	DATE	CHKD	REVISIONS																																											
A	SEE REVISION DOCUMENT NG30SK	SWC	9/10/93																																																				
REV	DESCRIPTION	DRFT	DATE	CHKD																																																			
REVISIONS																																																							