

Inductive Sensors



Housing Style	Part Number	ID Number	Features	Sensing Range (mm)	Output	
30 mm - Nonembeddable, Potted-In Cable 	Ni 15-G30K-AN6X	T4671700	Short Barrel	15	3-Wire DC NPN	
	Ni 15-G30K-AP6X	T4670700	Short Barrel	15	3-Wire DC PNP	
	Ni 15-G30-Y0	T1006300		15	2-Wire DC NAMUR	
	Ni 15-G30-Y0X	T4020100		15		
30 mm - Nonembeddable, Potted-In Cable 	Ni 15-G30-AN6X	T4647700		15	3-Wire DC NPN	
	Ni 15-G30-AN7X	T1714900		15		
	Ni 15-G30-AP6X	T4647600			15	3-Wire DC PNP
	Ni 20-G30-ADZ30X2	T4205404			20	2-Wire AC/DC Short-Circuit Protected
	Ni 15-G30-AZ3X	T1306000			15	2-Wire AC/DC

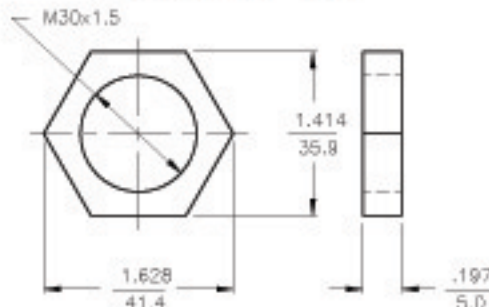
Voltage	Switching Freq. (Hz)	Operating Current (mA)	Operating Temp. (°C)	Protection	Housing	Face	End Cap	Power LED	Output LED	Cable Length/ Cable Mat.	Wiring Diagram #	Wiring Diagrams
10-30 VDC	500	≤200	-25 to +70	IP 67	CPB	PA 12	EPTR	N/A	YE	2M/PVC	1	<p>Diagram 1</p>
10-30 VDC	500	≤200	-25 to +70	IP 67	CPB	PA 12	EPTR	N/A	YE	2M/PVC	2	<p>Diagram 2</p>
5-30 VDC	200	Remote	-25 to +70	IP 67	CPB	PA 12	EPTR	N/A	N/A	2M/PVC	3	<p>Diagram 3</p>
	200	Remote	-25 to +70	IP 67	CPB	PA 12	EPTR	N/A	YE	2M/PVC	3	
10-30 VDC	500	≤200	-25 to +70	IP 67	CPB	PA 12	EPTR	N/A	YE	2M/PVC	1	<p>Diagram 4</p>
	500	≤200	-25 to +70	IP 67	CPB	PA 12	EPTR	N/A	YE	2M/PVC	1	
10-30 VDC	500	≤200	-25 to +70	IP 67	CPB	PA 12	EPTR	N/A	YE	2M/PVC	2	<p>Diagram 3</p>
20-250 VAC 10-300 VDC	20	≤400/300	-25 to +70	IP 67	CPB	PA 12	EPTR	GN	RD	2M/PVC	4	<p>Diagram 4</p>
20-250 VAC 10-300 VDC	20	≤400/300	-25 to +70	IP 67	CPB	PA 12	EPTR	N/A	RD	2M/PVC	4	<p>Diagram 4</p>

WIRING DIAGRAM

LOCKNUT LN-M30

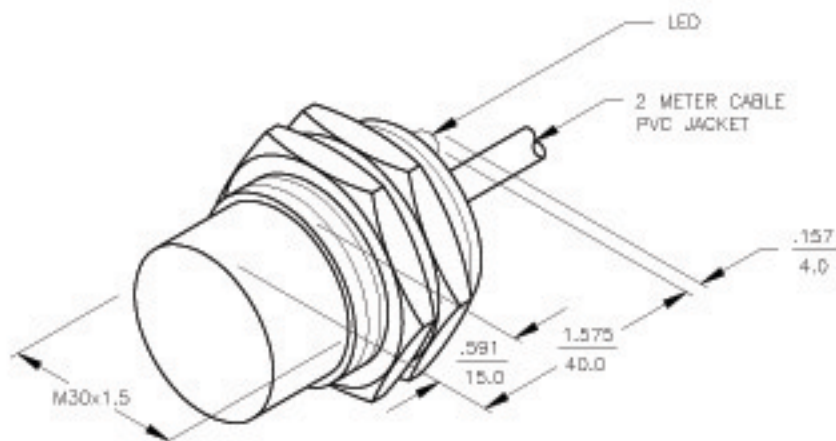


OUTPUT: Y0



SPECIFICATIONS

OPERATING VOLTAGE	5-15 VDC
HYSTERESIS (DIFFERENTIAL TRAVEL)	1-10% (5% TYPICAL)
NOMINAL VOLTAGE	8.2 VDC
OUTPUT FUNCTION	RESISTANCE CHANGE, REQUIRES REMOTE AMPLIFIER
RESISTANCE CHANGE FROM NONACTIVATED TO ACTIVATED CONDITION	1.0 kΩ to >8.0 kΩ
RESULTING CURRENT CHANGE	≤ 2.2 mA to ≤ 1.0 mA
REDONNED SWITCHING POINT FOR REMOTE AMPLIFIER	1.55 mA
TIME DELAY BEFORE AVAILABILITY	≤ 5 ms
POWER-ON EFFECT PROTECTION	REALIZED IN AMPLIFIER
POLARITY INVERSION PROTECTION	INCORPORATED
WIRE BREAK PROTECTION	REALIZED IN AMPLIFIER
PROTECTION AGAINST TRANSIENTS	REALIZED IN AMPLIFIER
OPERATING TEMPERATURE	-25°C to +70°C (-13°F to +158°F)
ENCLOSURE	MEETS NEMA 1, 3, 4, 6, 13 AND IEC IP67
SHOCK	30 g, 11 ms
VIBRATION	55 Hz, 1 mm AMPLITUDE (IN ALL 3 PLANES)
LED FUNCTION	RED: OUTPUT ENERGIZED
SENSING RANGE	15 mm = .591" (NOMINAL)
SWITCHING FREQUENCY	200 Hz
REPEATABILITY	≤ 2% of NOMINAL SENSING RANGE
SHIELDED	NO



RELATED DOCUMENTS

- 1.
- 2.
- 3.
- 4.

3RD ANGLE PROJECTION



THIS DRAWING IS PROPERTY OF TURCK INC. USE OF THIS DOCUMENT WITHOUT WRITTEN PERMISSION IS PROHIBITED.

TURCK INC
High Technology Sensors and Automation Controls

MATERIAL

BRASS BARREL

FINISH

COPPER/NICKEL/
CHROME PLATING

TOLERANCES UNLESS OTHERWISE SPECIFIED

.X ±0.02
.XX ±0.01
.XXX ±0.005
ANGLES ±1°

ALL MILLIMETER DIMENSIONS ARE REFERENCE ONLY

DATE

1/27/93

SCALE

NONE

UNIT OF MEASUREMENT

INCH [MILLIMETER]

DO NOT SCALE THIS DRAWING

DESCRIPTION

Ni15-G30-Y0X

IDENTIFICATION NO.

T4020100

REV

B

FILE: T4020100

SHEET 1 OF 1

REV	DESCRIPTION	BY	DATE	EDD NO.
B	UPDATE TO CURRENT TITLE BLOCK	RDS	01/21/03	10104