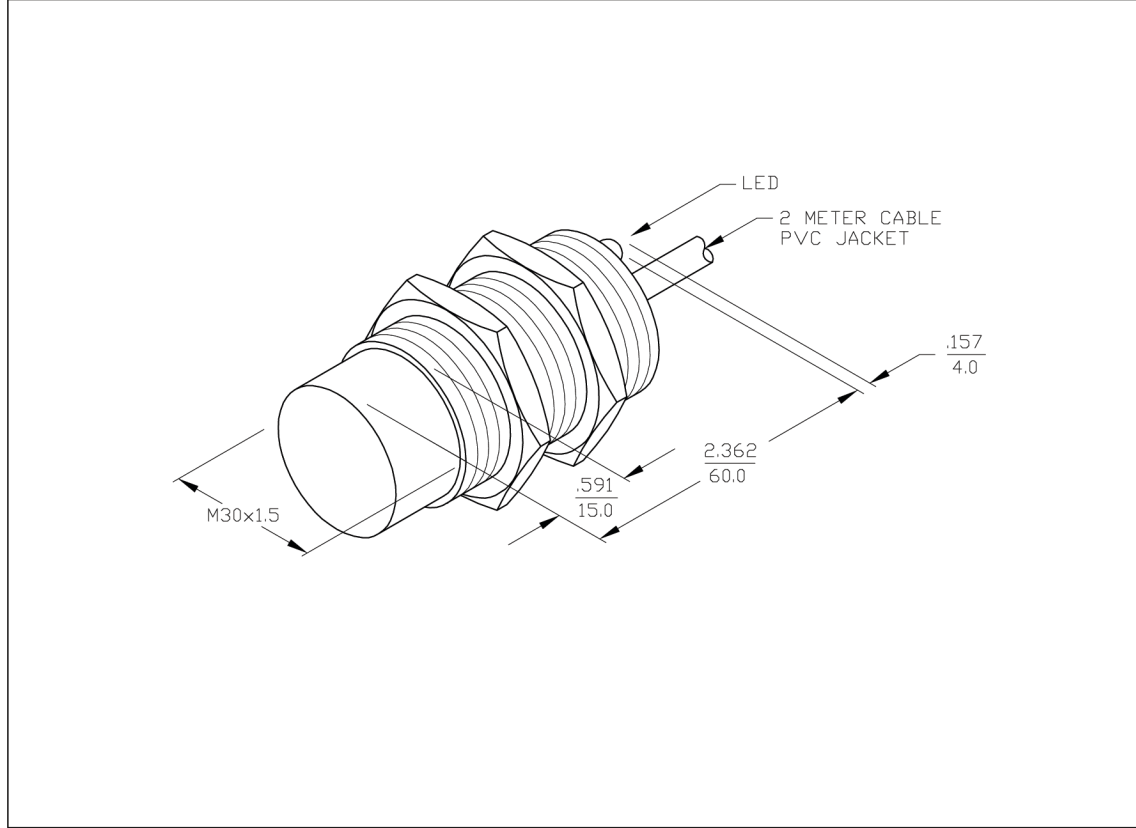
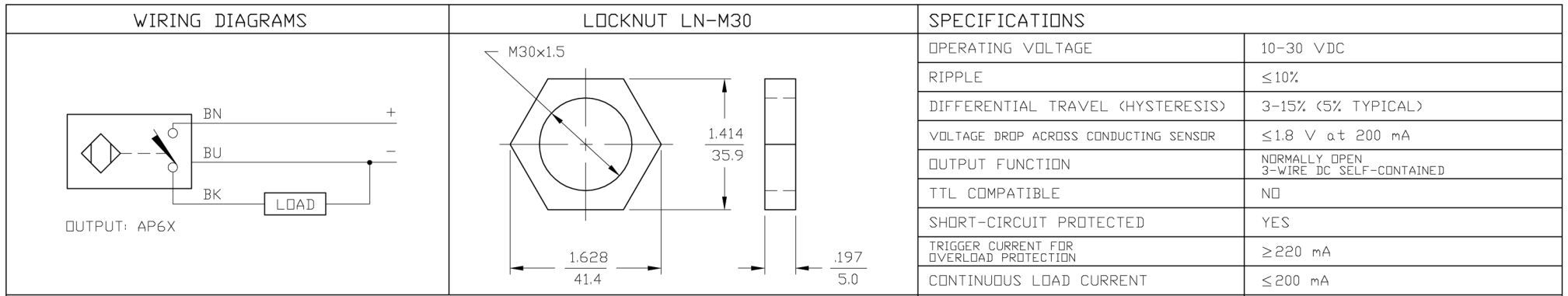


Inductive Sensors



Housing Style	Part Number	ID Number	Features	Sensing Range (mm)	Output
30 mm - Nonembeddable, Potted-In Cable 	Ni 15-G30K-AN6X	T4671700	Short Barrel	15	3-Wire DC NPN
	Ni 15-G30K-AP6X	T4670700	Short Barrel	15	3-Wire DC PNP
	Ni 15-G30-Y0	T1006300		15	2-Wire DC NAMUR
	Ni 15-G30-Y0X	T4020100		15	
30 mm - Nonembeddable, Potted-In Cable 	Ni 15-G30-AN6X	T4647700		15	3-Wire DC NPN
	Ni 15-G30-AN7X	T1714900		15	
	Ni 15-G30-AP6X	T4647600		15	3-Wire DC PNP
	Ni 20-G30-ADZ30X2	T4205404		20	2-Wire AC/DC Short-Circuit Protected
	Ni 15-G30-AZ3X	T1306000		15	2-Wire AC/DC

Voltage	Switching Freq. (Hz)	Operating Current (mA)	Operating Temp. (°C)	Protection	Housing	Face	End Cap	Power LED	Output LED	Cable Length/ Cable Mat.	Wiring Diagram #	Wiring Diagrams
10-30 VDC	500	≤200	-25 to +70	IP 67	CPB	PA 12	EPTR	N/A	YE	2M/PVC	1	<p>Diagram 1</p>
10-30 VDC	500	≤200	-25 to +70	IP 67	CPB	PA 12	EPTR	N/A	YE	2M/PVC	2	<p>Diagram 2</p>
5-30 VDC	200	Remote	-25 to +70	IP 67	CPB	PA 12	EPTR	N/A	N/A	2M/PVC	3	<p>Diagram 3</p>
	200	Remote	-25 to +70	IP 67	CPB	PA 12	EPTR	N/A	YE	2M/PVC	3	
10-30 VDC	500	≤200	-25 to +70	IP 67	CPB	PA 12	EPTR	N/A	YE	2M/PVC	1	<p>Diagram 4</p>
	500	≤200	-25 to +70	IP 67	CPB	PA 12	EPTR	N/A	YE	2M/PVC	1	
10-30 VDC	500	≤200	-25 to +70	IP 67	CPB	PA 12	EPTR	N/A	YE	2M/PVC	2	<p>Diagram 3</p>
20-250 VAC 10-300 VDC	20	≤400/300	-25 to +70	IP 67	CPB	PA 12	EPTR	GN	RD	2M/PVC	4	<p>Diagram 4</p>
20-250 VAC 10-300 VDC	20	≤400/300	-25 to +70	IP 67	CPB	PA 12	EPTR	N/A	RD	2M/PVC	4	<p>Diagram 4</p>



OFF-STATE (LEAKAGE) CURRENT	<10 μA
NO-LOAD CURRENT	5.5-9.5 mA
TIME DELAY BEFORE AVAILABILITY	≤8 ms
POWER-ON EFFECT PROTECTION	INCORPORATED
REVERSE POLARITY PROTECTION	INCORPORATED
WIRE-BREAK PROTECTION	INCORPORATED
PROTECTION AGAINST TRANSIENTS	2 kV, 1 ms, 1 kΩ
OPERATING TEMPERATURE	-25°C to +70°C (-13°F to +158°F)
ENCLOSURE	MEETS NEMA 1, 3, 4, 6, 13 AND IEC IP67
SHOCK	30 g, 11 ms
VIBRATION	55 Hz, 1 mm AMPLITUDE (IN ALL 3 PLANES)
LED FUNCTION	RED: OUTPUT ENERGIZED
SENSING RANGE	15 mm = .591" (NOMINAL)
SWITCHING FREQUENCY	500 Hz
REPEATABILITY	≤2% OF RATED OPERATING DISTANCE
EMBEDDABLE (SHIELDED)	NO

MATERIAL BRASS BARREL		3RD ANGLE PROJECTION		TURCK INC
FINISH COPPER/NICKEL/ CHROME PLATING				
DRWN SMW	DATE 3/18/87	PART NO. Ni15-G30-AP6X		
CHKD	DATE	SIZE B	ID NO. 4647600	REV C
TMI		SCALE NONE		BMPC-DC\4647600
DIMENSIONS ARE IN INCHES mm		SHEET		OF

REV	DESCRIPTION	DRFT	DATE	CHKD
C	SEE REVISION DOCUMENT 4647600	SWC	8/1/94	
REVISIONS				