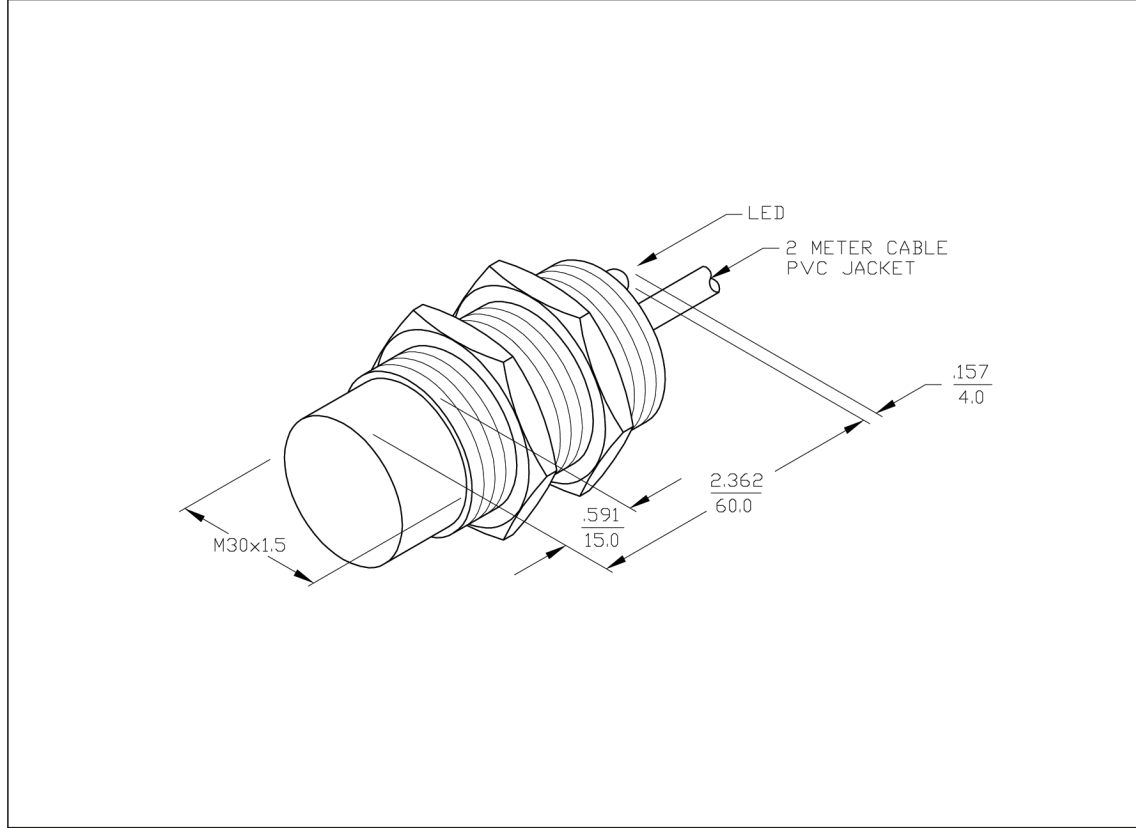
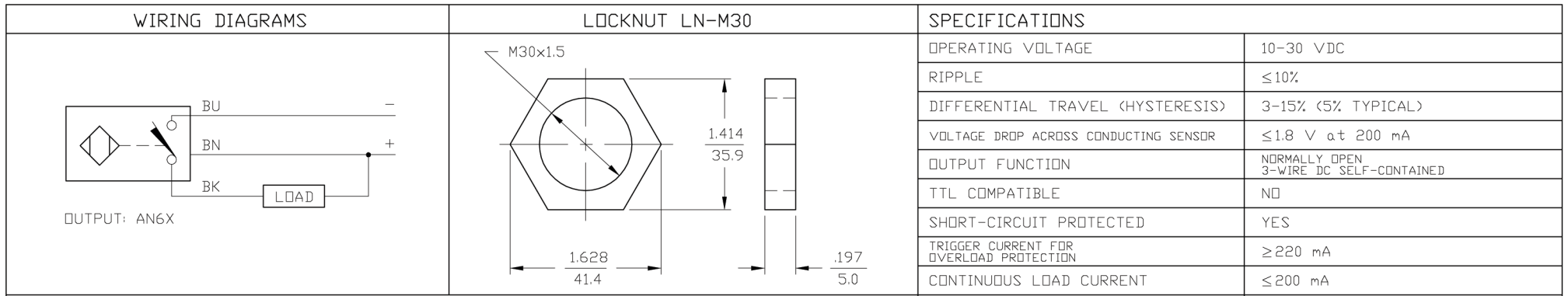


# Inductive Sensors



Housing Style	Part Number	ID Number	Features	Sensing Range (mm)	Output	
<b>30 mm - Nonembeddable, Potted-In Cable</b> 	Ni 15-G30K-AN6X	T4671700	<i>Short Barrel</i>	15	3-Wire DC NPN	
	Ni 15-G30K-AP6X	T4670700	<i>Short Barrel</i>	15	3-Wire DC PNP	
	Ni 15-G30-Y0	T1006300		15	2-Wire DC NAMUR	
	Ni 15-G30-Y0X	T4020100		15		
<b>30 mm - Nonembeddable, Potted-In Cable</b> 	Ni 15-G30-AN6X	T4647700		15	3-Wire DC NPN	
	Ni 15-G30-AN7X	T1714900		15		
	Ni 15-G30-AP6X	T4647600			15	3-Wire DC PNP
	Ni 20-G30-ADZ30X2	T4205404			20	2-Wire AC/DC Short-Circuit Protected
	Ni 15-G30-AZ3X	T1306000			15	2-Wire AC/DC

Voltage	Switching Freq. (Hz)	Operating Current (mA)	Operating Temp. (°C)	Protection	Housing	Face	End Cap	Power LED	Output LED	Cable Length/ Cable Mat.	Wiring Diagram #	Wiring Diagrams
10-30 VDC	500	≤200	-25 to +70	IP 67	CPB	PA 12	EPTR	N/A	YE	2M/PVC	1	<p><b>Diagram 1</b></p>
10-30 VDC	500	≤200	-25 to +70	IP 67	CPB	PA 12	EPTR	N/A	YE	2M/PVC	2	<p><b>Diagram 2</b></p>
5-30 VDC	200	Remote	-25 to +70	IP 67	CPB	PA 12	EPTR	N/A	N/A	2M/PVC	3	<p><b>Diagram 3</b></p>
	200	Remote	-25 to +70	IP 67	CPB	PA 12	EPTR	N/A	YE	2M/PVC	3	
10-30 VDC	500	≤200	-25 to +70	IP 67	CPB	PA 12	EPTR	N/A	YE	2M/PVC	1	<p><b>Diagram 4</b></p>
	500	≤200	-25 to +70	IP 67	CPB	PA 12	EPTR	N/A	YE	2M/PVC	1	
10-30 VDC	500	≤200	-25 to +70	IP 67	CPB	PA 12	EPTR	N/A	YE	2M/PVC	2	
20-250 VAC 10-300 VDC	20	≤400/300	-25 to +70	IP 67	CPB	PA 12	EPTR	GN	RD	2M/PVC	4	<p><b>Diagram 4</b></p>
20-250 VAC 10-300 VDC	20	≤400/300	-25 to +70	IP 67	CPB	PA 12	EPTR	N/A	RD	2M/PVC	4	



OFF-STATE (LEAKAGE) CURRENT	<10 μA
NO-LOAD CURRENT	5.5-9.5 mA
TIME DELAY BEFORE AVAILABILITY	≤8 ms
POWER-ON EFFECT PROTECTION	INCORPORATED
REVERSE POLARITY PROTECTION	INCORPORATED
WIRE-BREAK PROTECTION	INCORPORATED
PROTECTION AGAINST TRANSIENTS	2 kV, 1 ms, 1 kΩ
OPERATING TEMPERATURE	-25°C to +70°C (-13°F to +158°F)
ENCLOSURE	MEETS NEMA 1, 3, 4, 6, 13 AND IEC IP67
SHOCK	30 g, 11 ms
VIBRATION	55 Hz, 1 mm AMPLITUDE (IN ALL 3 PLANES)
LED FUNCTION	RED: OUTPUT ENERGIZED
SENSING RANGE	15 mm = .591" (NOMINAL)
SWITCHING FREQUENCY	500 Hz
REPEATABILITY	≤2% OF RATED OPERATING DISTANCE
EMBEDDABLE (SHIELDED)	NO

MATERIAL <b>BRASS BARREL</b>		3RD ANGLE PROJECTION		<b>TURCK INC</b>
FINISH COPPER/NICKEL/ CHROME PLATING				
DRWN SMW	DATE 3/18/87	PART NO. <b>Ni15-G30-AN6X</b>		
CHKD	DATE	SIZE <b>B</b>	ID NO. 4647700	REV <b>C</b>
TMI		SCALE <b>NONE</b>		BMPC-DC\4647700
DIMENSIONS ARE IN <b>INCHES</b> mm		SHEET <b>OF</b>		

C	SEE REVISION DOCUMENT 4647600	SWC	8/1/94		
REV	DESCRIPTION	DRFT	DATE	CHKD	
REVISIONS					