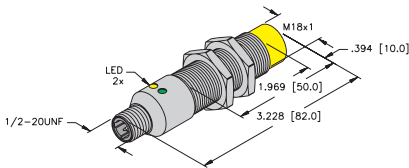
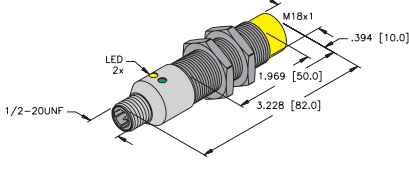
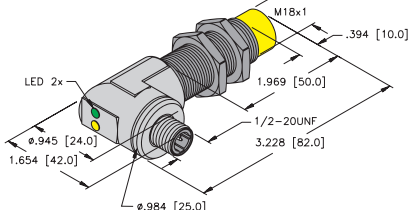


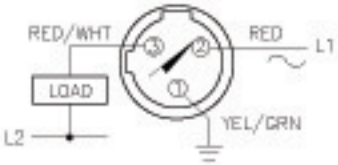
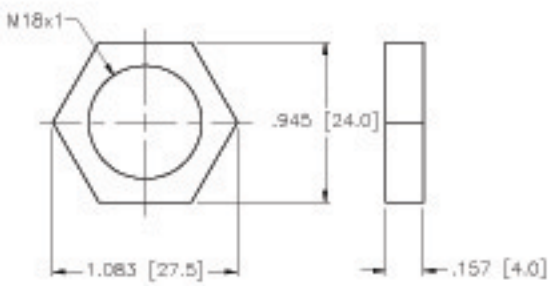
Inductive Sensors

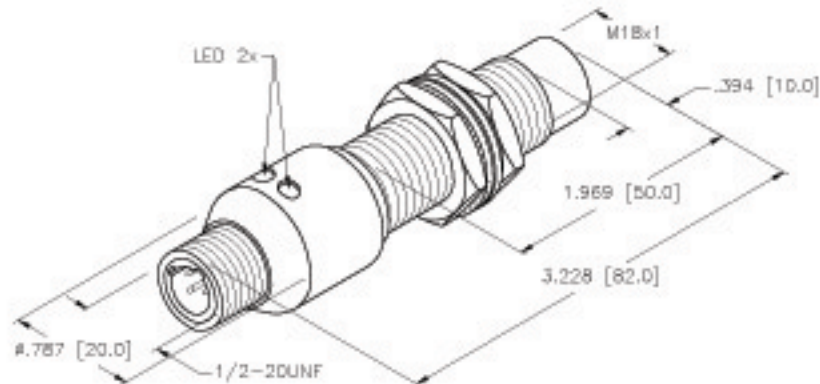


Housing Style	Part Number	ID Number	Features	Sensing Range (mm)	Output
18 mm - Nonembeddable, microfast® connection 	Ni 8-G18-ADZ30X2-B3331/S34	T4209100	WFI	8	2-Wire AC/DC Short-Circuit Protected
	Ni 12U-G18-ADZ30X2-B3331	M4281413	Uprox	12	
	Ni 14-G18-ADZ30X2-B3331	T4205403	Ext. Range	14	
	Ni 10-G18-AZ3X-B3331	T4372192		10	2-Wire AC/DC
	Ni 8-G18-AZ3X-B3331	T4350588		8	
18 mm - Nonembeddable, microfast connection, Teflon Coated 	Ni 8-GT18-ADZ30X2-B3331/S34	T4209101	WFI	8	2-Wire AC/DC Short-Circuit Protected
	Ni 12U-GT18-ADZ30X2-B3331	M4281423	Uprox	12	
18 mm - Nonembeddable, Teflon Coated, microfast Right Angle Connection 	Ni 8-GT18-ADZ30X2-B3431/S34	T4209201	WFI	8	2-Wire AC/DC Short-Circuit Protected

Output	Switching Freq. (Hz)	Operating Current (mA) VAC/VDC	Operating Temp. (°C)	Protection	Housing	Face	Power LED	Output LED	Mating Cordset	Wiring Diagram #	Wiring Diagrams
20-250 VAC 10-300 VDC	20	≤400/300	-25 to +70	IP 67	CPB	PA 12	GN	RD	KB 3T-*	1	<p>Diagram 1</p>
	20	≤400/300	-30 to +85	IP 67	CPB	PA 12	GN	YE	KB 3T-*	1	
	20	≤400/300	-25 to +70	IP 67	CPB	PA 12	GN	RD	KB 3T-*	1	
20-250 VAC	20	≤400/300	-25 to +70	IP 67	CPB	PA 12	N/A	RD	KB 3T-*	1	
	20	≤400/300	-25 to +70	IP 67	CPB	PA 12	N/A	YE	KB 3T-*	1	
20-250 VAC 10-300 VDC	20	≤400/300	-25 to +70	IP 67	TC	TC	GN	RD	KB 3T-*	1	
	20	≤400/300	-30 to +85	IP 67	TC	TC	GN	YE	KB 3T-*	1	
20-250 VAC 10-300 VDC	20	≤400/300	-25 to +70	IP 67	TC	TC	GN	RD	KB 3T-*	1	

* Length in meters.

WIRING DIAGRAM	LOCKNUT LN-M18	SPECIFICATIONS	
 <p>SHORT-CIRCUIT AND OVERLOAD PROTECTED</p>		OPERATING VOLTAGE	20-250 VAC, 10-300 VDC
		LINE FREQUENCY	40-60 Hz
		DIFFERENTIAL TRAVEL (HYSTERESIS)	3-15% (5% TYPICAL)
		VOLTAGE DROP ACROSS CONDUCTING SENSOR	≤6.0 V at 400 mA
		OUTPUT FUNCTION	NORMALLY OPEN 2-WIRE AC/DC SELF-CONTAINED
		SHORT-CIRCUIT PROTECTED	YES
		TRIGGER CURRENT FOR OVERLOAD PROTECTION	AC: 440 mA, DC: 330 mA
		CONTINUOUS LOAD CURRENT	AC: 400 mA, DC: 300 mA
		OFF-STATE (LEAKAGE) CURRENT	≤1.7 mA
		MINIMUM LOAD CURRENT	≥3.0 mA



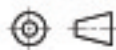
INRUSH CURRENT	≤3.0 A(≤20 ms/5 Hz)
TIME DELAY BEFORE AVAILABILITY	≤15 ms
POWER-ON EFFECT PROTECTION	INCORPORATED
PROTECTION AGAINST TRANSIENTS	5 kV, 10 ms, 10 kΩ
OPERATING TEMPERATURE	-25°C to +70°C (-13°F to +158°F)
ENCLOSURE	MEETS NEMA 1, 3, 4, 6, 13 AND IEC IP67
SHOCK	30 g, 11 ms
VIBRATION	55 Hz, 1 mm AMPLITUDE (IN ALL 3 PLANES)
LED FUNCTION	GREEN = POWER ON GREEN FLASHING = SHORT-CIRCUIT WARNING RED = OUTPUT ENERGIZED
RATED OPERATING DISTANCE(Sn)	14 mm = .551" (NOMINAL)
SWITCHING FREQUENCY	60 Hz
REPEATABILITY	≤2% of RATED OPERATING DISTANCE
EMBEDDABLE (SHIELDED)	NO

**NOTE
PRELIMINARY
SPECIFICATIONS**

SOURCE DRAWING - FOR REFERENCE ONLY

ALL DIMENSIONAL TOLERANCES: ±1.0mm.

REV	DESCRIPTION	By	DATE	ECO NO.
P3		CBM	06/21/01	

RELATED DOCUMENTS 1. 2. 3. 4.	3RD ANGLE PROJECTION 	THIS DOCUMENT IS PROPERTY OF TURCK INC. USE OF THIS DOCUMENT WITHOUT WRITTEN PERMISSION IS PROHIBITED.	TURCK INC <i>High Technology Sensors and Automation Controls</i>	
MATERIAL BRASS BARREL	TOLERANCES UNLESS OTHERWISE SPECIFIED .X ±0.02 .XX ±0.01 .XXX ±0.005 ANGLES ±1°	DR-T IK		
FINISH COPPER, NICKEL, CHROME PLATING	ALL MILLIMETER DIMENSIONS ARE REFERENCE ONLY	UNIT OF MEASUREMENT NCH [MILLIMETER] DO NOT SCALE THIS DRAWING		IDENTIFICATION NO. T4205403 REV P3