

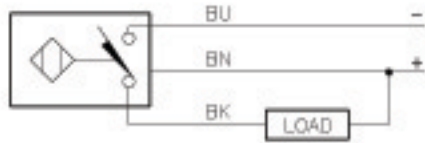
Inductive Sensors



Housing Style	Part Number	ID Number	Features	Sensing Range (mm)	Output
18 mm - Nonembeddable, Partial Threading, Potted-In Cable 	Ni 8-M18-AD4X	T4411200		8	2-Wire DC
	Ni14-M18-AD4X	T4417235	<i>Extended Range</i>	14	
	Ni12U-M18-AN6X	M1645120	<i>Uprox</i>	12	3-Wire DC NPN
	Ni12U-EM18-AN6X	M1645320	<i>Uprox</i>	12	
	Ni14-M18-AN6X	T4611411	<i>Extended Range</i>	14	
	Ni 8-M18-AN6X	T4614889		8	
	Ni 8-M18-AP6X/S100	M4611201	<i>High Temp. 100°C</i>	8	3-Wire DC PNP
	Ni12U-EM18-AP6X	M1645300	<i>Uprox</i>	12	
	Ni12U-M18-AP6X	M1645100	<i>Uprox</i>	12	
	Ni14-M18-AP6X	T4611401	<i>Extended Range</i>	14	
	Ni 8-M18-AP6X	T4614395		8	
	Ni 8-M18-VN4X	T1571200	<i>Comp. Output</i>	8	4-Wire DC NPN
	Ni14-M18-VN4X	T4590600	<i>Extended Range</i>	14	
	Ni 8-M18-VP4X	T1561200	<i>Comp. Output</i>	8	4-Wire DC PNP
Ni14-M18-VP4X	T4590601	<i>Extended Range</i>	14		
	Ni12U-M18-ADZ30X2	M4282410	<i>Uprox</i>	12	2-Wire AC/DC Short-Circuit Protected
18 mm - Nonembeddable, Partial Threading, Potted-In Cable, Teflon Coated 	Ni12U-MT18-ADZ30X2	M4209420	<i>Uprox</i>	12	2-Wire AC/DC Short-Circuit Protected

Output	Switching Freq. (Hz)	Operating Current (mA)	Operating Temp. (°C)	Protection	Housing	Face	End Cap	Power LED	Output LED	Cable Length/ Cable Mat.	Wiring Diagram #	Wiring Diagrams
10-65 VDC	500	≤100	-25 to +70	IP 67	CPB	PA 12	EPTR	N/A	YE	2M/PVC	1	Diagram 1
	500	≤100	-25 to +70	IP 67	CPB	PA 12	EPTR	N/A	YE	2M/PVC	1	
10-30 VDC	2000	≤200	-30 to +85	IP 67	CPB	PA 12	EPTR	N/A	YE	2M/PVC	2	Diagram 2
	2000	≤200	-30 to +85	IP 68	SS	PA 12	EPTR	N/A	YE	2M/PVC	2	
	500	≤200	-25 to +70	IP 67	CPB	PA 12	EPTR	N/A	YE	2M/PVC	2	
	1000	≤200	-25 to +70	IP 67	CPB	PA 12	EPTR	N/A	YE	2M/PVC	2	
10-30 VDC	1000	≤200	-25 to +100	IP 67	CPB	IRPA	EPTR	N/A	YE	2M/PVC	3	Diagram 3
	2000	≤200	-30 to +85	IP 67	SS	PA 12	EPTR	N/A	YE	2M/PVC	3	
	2000	≤200	-30 to +85	IP 67	CPB	PA 12	EPTR	N/A	YE	2M/PVC	3	
	500	≤200	-25 to +70	IP 67	CPB	PA 12	EPTR	N/A	YE	2M/PVC	3	
	1000	≤200	-25 to +70	IP 67	CPB	PA 12	EPTR	N/A	YE	2M/PVC	3	
10-65 VDC	1000	≤200	-25 to +70	IP 67	CPB	PA 12	EPTR	N/A	YE	2M/PVC	4	Diagram 4
	1000	≤200	-25 to +70	IP 67	CPB	PA 12	EPTR	N/A	YE	2M/PVC	4	
10-65 VDC	1000	≤200	-25 to +70	IP 67	CPB	PA 12	EPTR	N/A	YE	2M/PVC	5	Diagram 5
	1000	≤200	-25 to +70	IP 67	CPB	PA 12	EPTR	N/A	YE	2M/PVC	5	
20-250 VAC 10-300 VDC	20	≤400/300	-30 to +85	IP 67	CPB	PA 12	EPTR	YE	RD	2M/PVC	6	Diagram 6
20-250 VAC 10-300 VDC	20	≤400/300	-30 to +85	IP 67	TC	TC	EPTR	YE	RD	2M/PVC	6	

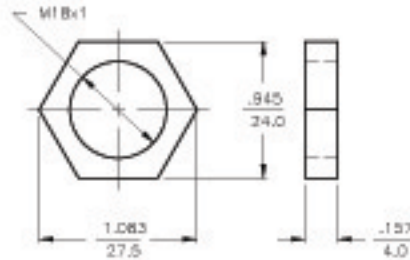
WIRING DIAGRAM



OUTPUT: AN6X

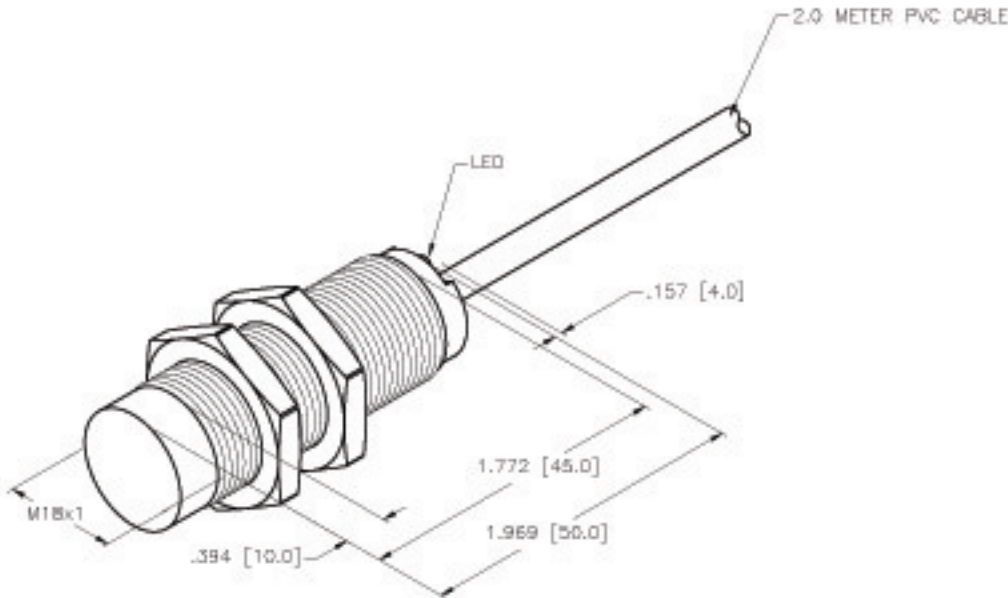
SHORT-CIRCUIT AND OVERLOAD PROTECTED

LOCKNUT LN-M18



SPECIFICATIONS

RATED OPERATING DISTANCE	12mm = .472"
MOUNTING MODE	NON-FLUSH, PARTIAL EMBEDDING POSSIBLE
MIN. REPEAT ACCURACY	≤ 2%
TEMPERATURE DRIFT	≤ ±10% ≤ ±15%, ≤ -25°C v ≥ +70°C
HYSTERESIS (SWITCHING DISTANCE)	3-15%
OPERATING TEMPERATURE	-30°C to +85°C (-22°F to +185°F)
RATED OPERATIONAL VOLTAGE	10-30 VDC
MAX. RIPPLE	≤ 10%
DC RATED OPERATIONAL CURRENT	≤ 200 mA
NO-LOAD CURRENT	≤ 15 mA
MAX. OFF-STATE CURRENT	≤ 0.1 mA
RATED INSULATION VOLTAGE	≤ 0.5 kV
SHORT-CIRCUIT PROTECTION	INCORPORATED
MAX. VOLTAGE DROP	≤ 1.8 V
WIRE BREAKAGE PROTECTION	INCORPORATED
REVERSE POLARITY PROTECTION	INCORPORATED
OUTPUT FUNCTION	3-WIRE, NORMALLY OPEN, NPN
MAX. SWITCHING FREQUENCY	≤ 2.0 kHz
HOUSING MATERIAL	METAL, BRASS/CHROME-PLATED
ACTIVE FACE	PLASTIC, PBT
END CAP	PLASTIC, EPTR
CABLE	#5.2, LITZY, PVC
VIBRATION RESISTANCE	55 Hz, 1 mm AMPLITUDE (IN ALL 3 PLANES)
SHOCK RESISTANCE	30 g, 11 ms
DEGREE OF PROTECTION	IP67
SWITCHING STATUS INDICATION	LED, YELLOW



CABLE LENGTH	TOLERANCE
ALL LENGTHS	+ 4% (OR 50mm) OF LENGTH - 0% (OR 0mm) OF LENGTH WHICHEVER IS GREATER.
STRIP LENGTH	TOLERANCE
5-7mm	±0.5mm
8-24mm	±1.0mm
25-49mm	±2.0mm
50-99mm	±3.0mm
100-199mm	±4.0mm
200+ mm	±5.0mm

SOURCE DRAWING - FOR REFERENCE ONLY

RELATED DOCUMENTS 1. 2. 3. 4.	3RD ANGLE PROJECTION 	THIS DRAWING IS PROPERTY OF TURCK INC. USE OF THIS DOCUMENT WITHOUT WRITTEN PERMISSION IS PROHIBITED.		TURCK INC High Technology Sensors and Automation Controls	
	MATERIAL	TOLERANCES UNLESS OTHERWISE SPECIFIED .X ±0.02 .XX ±0.01 .XXX ±0.005 ANGLES ±1° ALL MILLIMETER DIMENSIONS ARE REFERENCE ONLY	DRFT RDS CSCR AF	DATE 06/12/07 SCALE 1=1.0	DESCRIPTION NI12U-M18-AN6X
FINISH		UNIT OF MEASUREMENT INCH [MILLIMETER]		IDENTIFICATION NO. M1645120	REV A
DO NOT SCALE THIS DRAWING			FILE: M1645120	SHEET 1 OF 1	

A	DRAWING RELEASE	RDS	06/12/07	
REV	DESCRIPTION	BY	DATE	ECO NO.