

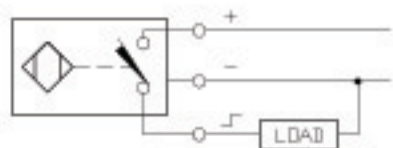
# Inductive Sensors



Housing Style	Part Number	ID Number	Features	Sensing Range (mm)	Output
<b>18 mm - Embeddable, Terminal Chamber</b> 	Bi 5U-EG18SK-AN6X	M1635420	<i>Uprox</i>	5	3-Wire DC NPN
	Bi 5-G18SK-AN6X2	T4642500		5	
	Bi 5U-EG18SK-AP6X	M1635400	<i>Uprox</i>	5	3-Wire DC PNP
	Bi 5-G18SK-AP6X2	T4642400		5	
<b>18 mm - Embeddable, Terminal Chamber</b> 	Bi 5-G18SK-AZ3X2	T4331400		5	2-Wire AC/DC
<b>18 mm - Nonembeddable, Terminal Chamber</b> 	Ni 8-G18SK-AD4X	T4442200		8	2-Wire DC
	Ni 10-G18SK-AN6X2	T4642700		10	3-Wire DC NPN
	Ni 12U-EG18SK-AN6X	M1645420	<i>Uprox</i>	12	
	Ni 10-G18SK-AP6X2	T4642600		10	3-Wire DC PNP
Ni 12U-EG18SK-AP6X	M1645400	<i>Uprox</i>	12		
<b>18 mm - Nonembeddable, Terminal Chamber</b> 	Ni 10-G18SK-AZ3X2	T4331500		10	2-Wire AC/DC

Output	Switching Freq. (Hz)	Operating Current (mA) VAC/VDC	Operating Temp. (°C)	Protection	Housing	Face	End Cap	Power LED	Output LED	Cable Length/ Cable Mat.	Wiring Diagram	Wiring Diagrams
10-30 VDC	2500	≤200	-30 to +85	IP 67	SS	PA 12	N/A	N/A	YE	- - - -	1	<b>Diagram 1</b> 
	1000	≤200	-25 to +70	IP 67	CPB	PA 12	N/A	GN	YE	- - - -	1	
10-30 VDC	2500	≤200	-30 to +85	IP 68	SS	PA 12	N/A	N/A	YE	- - - -	2	<b>Diagram 2</b> 
	1000	≤200	-25 to +70	IP 67	CPB	PA 12	N/A	GN	YE	- - - -	2	
20-250 VAC 10-300 VDC	20	≤500	-25 to +70	IP 67	CPB	PA 12	N/A	GN	RD	- - - -	3	<b>Diagram 3</b> 
10-65 VDC	1000	≤100	-25 to +70	IP 67	CPB	PA 12	N/A	N/A	YE	- - - -	4	<b>Diagram 4</b> 
10-30 VDC	1000	≤200	-25 to +70	IP 67	CPB	PA 12	N/A	GN	YE	- - - -	1	
	2000	≤200	-25 to +70	IP 67	SS	PA 12	N/A	N/A	YE	- - - -	1	
10-30 VDC	1000	≤200	-25 to +70	IP 67	CPB	PA 12	N/A	GN	YE	- - - -	2	
	2000	≤200	-25 to +70	IP 67	SS	PA 12	N/A	N/A	YE	- - - -	2	
20-250 VAC 10-300 VDC	20	≤400/300	-25 to +70	IP 67	CPB	PA 12	N/A	GN	RD	- - - -	3	

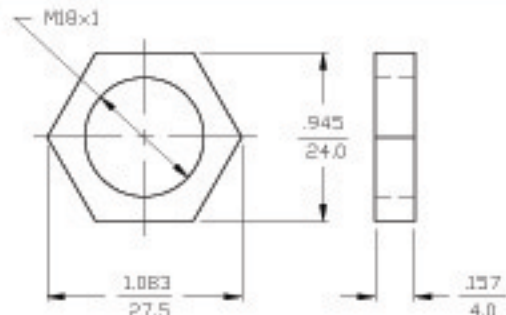
WIRING DIAGRAMS



OUTPUT: AP6X2

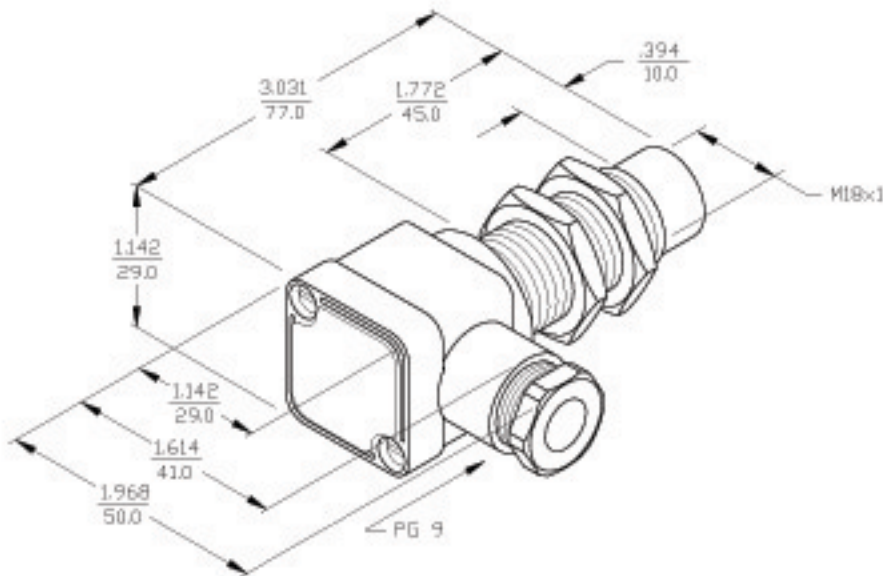
SHORT-CIRCUIT AND OVERLOAD PROTECTED

LOCKNUT LN-M18



SPECIFICATIONS

OPERATING VOLTAGE	10-30 VDC
RIPPLE	≤10%
DIFFERENTIAL TRAVEL (HYSTERESIS)	3-15% (5% TYPICAL)
VOLTAGE DROP ACROSS CONDUCTING SENSOR	≤1.8 V at 200 mA
OUTPUT FUNCTION	NORMALLY OPEN 3-WIRE DC SELF-CONTAINED
TTL COMPATIBLE	NO
SHORT-CIRCUIT PROTECTED	YES
TRIGGER CURRENT FOR OVERLOAD PROTECTION	≥220 mA
CONTINUOUS LOAD CURRENT	≤200 mA
LEAKAGE (OFF-STATE) CURRENT	<10 μA
NO-LOAD CURRENT	5.5-9.5 mA
TIME DELAY BEFORE AVAILABILITY	≤8 ms
POWER-ON EFFECT PROTECTION	INCORPORATED
REVERSE POLARITY PROTECTION	INCORPORATED
WIRE-BREAK PROTECTION	INCORPORATED
PROTECTION AGAINST TRANSIENTS	2 kV, 1 ms, 1 kΩ
OPERATING TEMPERATURE	-25°C to +70°C (-13°F to +158°F)
ENCLOSURE	MEETS NEMA 1, 3, 4, 6, 13 AND IEC IP67
SHOCK	30 g, 11 ms
VIBRATION	55 Hz, 1 mm AMPLITUDE (ON ALL 3 PLANES)
LED FUNCTION	GREEN POWER ON RED OUTPUT ENERGIZED
SENSING RANGE	10 mm = .394" (NOMINAL)
SWITCHING FREQUENCY	1000 Hz
REPEATABILITY	≤2% OF NOMINAL SENSING RANGE
SHIELDED	NO



MATERIAL <b>BRASS BARREL</b>		3RD ANGLE PROJECTION		<b>TURKON Inc</b>	
FINISH COPPER/NICKEL CHROME PLATING					
DRWN <b>GMB</b>	DATE <b>5/6/88</b>	PART NO.		<b>NI10-G18SK-AP6X2</b>	
D-KD	DATE	SIZE			
THI		10 NO.		REV	
DIMENSIONS ARE IN <b>INCHES</b>		<b>B</b>		<b>A</b>	
mm		SCALE <b>NONE</b>		BMTC-D\4642600 SHEET OF	

A	SEE REVISION DOCUMENT NGL8SK	SWC	9/10/93	
REV	DESCRIPTION	DRFT	DATE	CHKD
REVISIONS				