

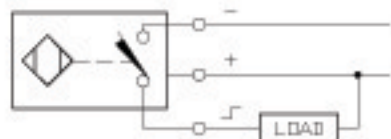
Inductive Sensors



| Housing Style | Part Number | ID Number | Features | Sensing Range (mm) | Output |
|--|--------------------|--------------|--------------|--------------------|------------------|
| 18 mm - Embeddable, Terminal Chamber | Bi 5U-EG18SK-AN6X | M1635420 | <i>Uprox</i> | 5 | 3-Wire DC NPN |
| | Bi 5-G18SK-AN6X2 | T4642500 | | 5 | |
| | Bi 5U-EG18SK-AP6X | M1635400 | <i>Uprox</i> | 5 | 3-Wire DC PNP |
| | Bi 5-G18SK-AP6X2 | T4642400 | | 5 | |
| 18 mm - Embeddable, Terminal Chamber | Bi 5-G18SK-AZ3X2 | T4331400 | | 5 | 2-Wire AC/DC |
| 18 mm - Nonembeddable, Terminal Chamber | Ni 8-G18SK-AD4X | T4442200 | | 8 | 2-Wire DC |
| | Ni 10-G18SK-AN6X2 | T4642700 | | 10 | 3-Wire DC NPN |
| | Ni 12U-EG18SK-AN6X | M1645420 | <i>Uprox</i> | 12 | |
| | Ni 10-G18SK-AP6X2 | T4642600 | | 10 | 3-Wire DC PNP |
| Ni 12U-EG18SK-AP6X | M1645400 | <i>Uprox</i> | 12 | | |
| 18 mm - Nonembeddable, Terminal Chamber | Ni 10-G18SK-AZ3X2 | T4331500 | | 10 | 2-Wire AC/DC |

| Output | Switching Freq. (Hz) | Operating Current (mA) VAC/VDC | Operating Temp. (°C) | Protection | Housing | Face | End Cap | Power LED | Output LED | Cable Length/ Cable Mat. | Wiring Diagram | Wiring Diagrams |
|--------------------------|----------------------|--------------------------------|----------------------|------------|---------|-------|---------|-----------|------------|--------------------------|----------------|----------------------|
| 10-30 VDC | 2500 | ≤200 | -30 to +85 | IP 67 | SS | PA 12 | N/A | N/A | YE | - - - - | 1 | Diagram 1 |
| | 1000 | ≤200 | -25 to +70 | IP 67 | CPB | PA 12 | N/A | GN | YE | - - - - | 1 | |
| 10-30 VDC | 2500 | ≤200 | -30 to +85 | IP 68 | SS | PA 12 | N/A | N/A | YE | - - - - | 2 | Diagram 2 |
| | 1000 | ≤200 | -25 to +70 | IP 67 | CPB | PA 12 | N/A | GN | YE | - - - - | 2 | |
| 20-250 VAC 10-300 VDC | 20 | ≤500 | -25 to +70 | IP 67 | CPB | PA 12 | N/A | GN | RD | - - - - | 3 | Diagram 3 |
| 10-65 VDC | 1000 | ≤100 | -25 to +70 | IP 67 | CPB | PA 12 | N/A | N/A | YE | - - - - | 4 | Diagram 4 |
| 10-30 VDC | 1000 | ≤200 | -25 to +70 | IP 67 | CPB | PA 12 | N/A | GN | YE | - - - - | 1 | |
| | 2000 | ≤200 | -25 to +70 | IP 67 | SS | PA 12 | N/A | N/A | YE | - - - - | 1 | |
| 10-30 VDC | 1000 | ≤200 | -25 to +70 | IP 67 | CPB | PA 12 | N/A | GN | YE | - - - - | 2 | |
| | 2000 | ≤200 | -25 to +70 | IP 67 | SS | PA 12 | N/A | N/A | YE | - - - - | 2 | |
| 20-250 VAC 10-300 VDC | 20 | ≤400/300 | -25 to +70 | IP 67 | CPB | PA 12 | N/A | GN | RD | - - - - | 3 | |

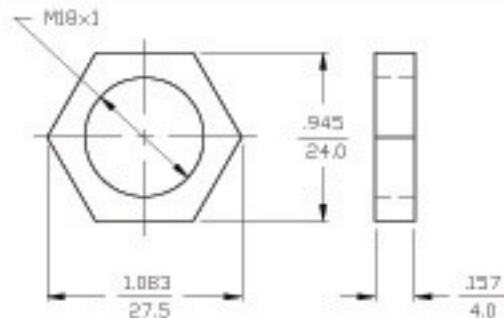
WIRING DIAGRAMS



OUTPUT: AN6X2

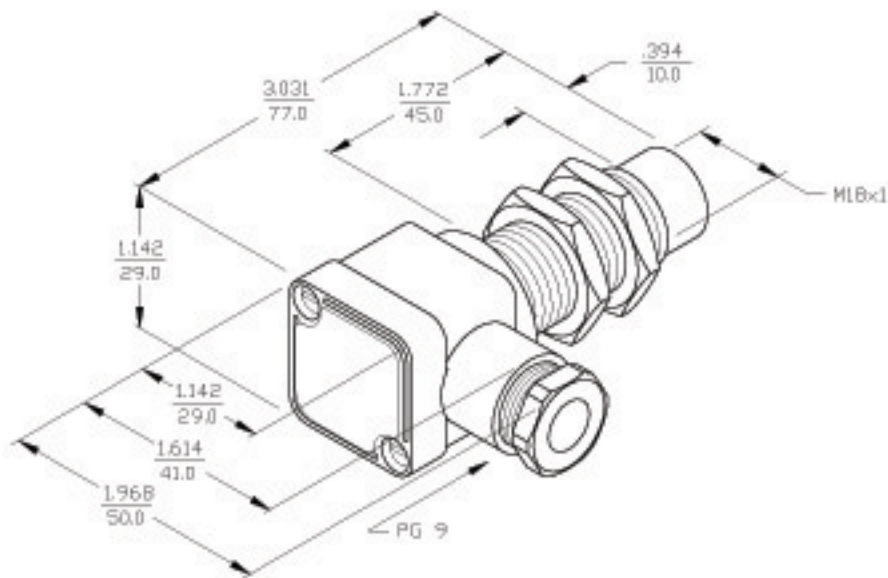
SHORT-CIRCUIT AND OVERLOAD PROTECTED

LOCKNUT LN-M18



SPECIFICATIONS

| | |
|---|--|
| OPERATING VOLTAGE | 10-30 VDC |
| RIPPLE | ≤10% |
| DIFFERENTIAL TRAVEL (HYSTERESIS) | 3-15% (5% TYPICAL) |
| VOLTAGE DROP ACROSS CONDUCTING SENSOR | ≤1.8 V at 200 mA |
| OUTPUT FUNCTION | NORMALLY OPEN 3-WIRE DC SELF-CONTAINED |
| TTL COMPATIBLE | NO |
| SHORT-CIRCUIT PROTECTED | YES |
| TRIGGER CURRENT FOR OVERLOAD PROTECTION | ≥220 mA |
| CONTINUOUS LOAD CURRENT | ≤200 mA |
| LEAKAGE (OFF-STATE) CURRENT | <10 μA |
| NO-LOAD CURRENT | 5.5-9.5 mA |
| TIME DELAY BEFORE AVAILABILITY | ≤8 ms |
| POWER-ON EFFECT PROTECTION | INCORPORATED |
| REVERSE POLARITY PROTECTION | INCORPORATED |
| WIRE-BREAK PROTECTION | INCORPORATED |
| PROTECTION AGAINST TRANSIENTS | 2 kV, 1 ms, 1 kΩ |
| OPERATING TEMPERATURE | -25°C to +70°C (-13°F to +158°F) |
| ENCLOSURE | MEETS NEMA 1, 3, 4, 6, 13 AND IEC IP67 |
| SHOCK | 30 g, 11 ms |
| VIBRATION | 55 Hz, 1 mm AMPLITUDE (ON ALL 3 PLANES) |
| LED FUNCTION | GREEN POWER ON RED OUTPUT ENERGIZED |
| SENSING RANGE | 10 mm = .394" (NOMINAL) |
| SWITCHING FREQUENCY | 1000 Hz |
| REPEATABILITY | ≤2% of NOMINAL SENSING RANGE |
| SHIELDED | NO |



| | | |
|---|-------------------------------------|-------------------------|
| MATERIAL BRASS BARREL | 3RD ANGLE PROJECTION | TURKON Inc |
| FINISH COPPER/NICKEL CHROME PLATING | | |
| DRWN GMB DATE 5/6/88 | PART NO. NI10-G18SK-AN6X2 | |
| D-KD DATE | SIZE 10 NO. B 4642700 | REV A |
| THI | SCALE NONE | BMTC-D\4642700 SHEET OF |
| DIMENSIONS ARE IN INCHES mm | | |

| | | | | |
|-----|------------------------------|------|---------|------|
| A | SEE REVISION DOCUMENT NGL8SK | SWC | 9/10/93 | |
| REV | DESCRIPTION | DRFT | DATE | CHKD |
| | | | | |

REVISIONS