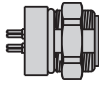
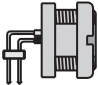
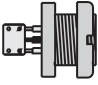


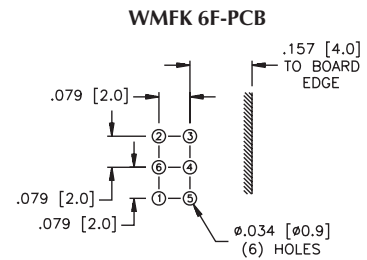
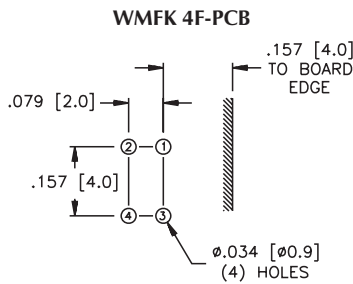
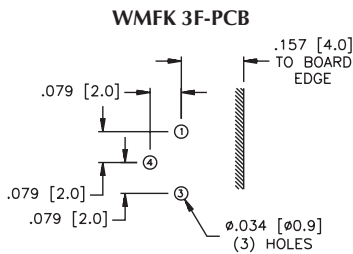
3, 4 and 6-Wire picofast® Receptacles with PCB Pins

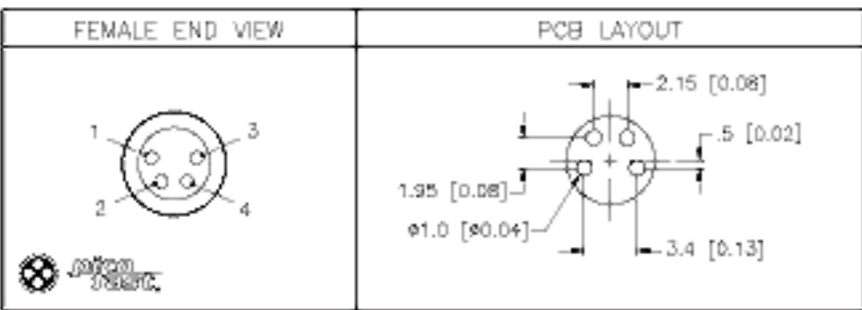
- Female Receptacles
- NEMA 1, 3, 4, 6P and IEC IP 67 Protection



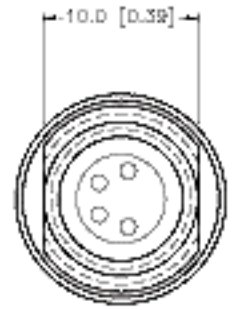
| Drawing Number | Part Number | Lead Specs. | Application | Pinout |
|--|--------------|--|---|--------|
| <p>7</p>  <p>Rear Mount</p> | MFKS 3F-PCBF | PCB Pins 105°C 60 VAC/ 75 VDC 4 A | Mates with 3-pin threaded male cordsets | |
| | MFKS 4F-PCBF | PCB Pins 105°C 30 VAC/ 36 VDC 2 A | Mates with 4-pin threaded male cordsets | |
| <p>8</p>   <p>Rear Mount</p> | WMFK 3F-PCB | PCB Pins 105°C 75 VDC 4 A | Mates with 3-pin threaded male cordsets | |
| | WMFK 4F-PCB | PCB Pins 105°C 36 VDC 2 A | Mates with 4-pin threaded male cordsets | |
| | WMFK 6F-PCB | PCB Pins 105°C 24 VDC 1 A | Mates with 6-pin threaded male cordsets | |

See page C44 for dimensional drawings.
Standard housing material is nickel plated brass.

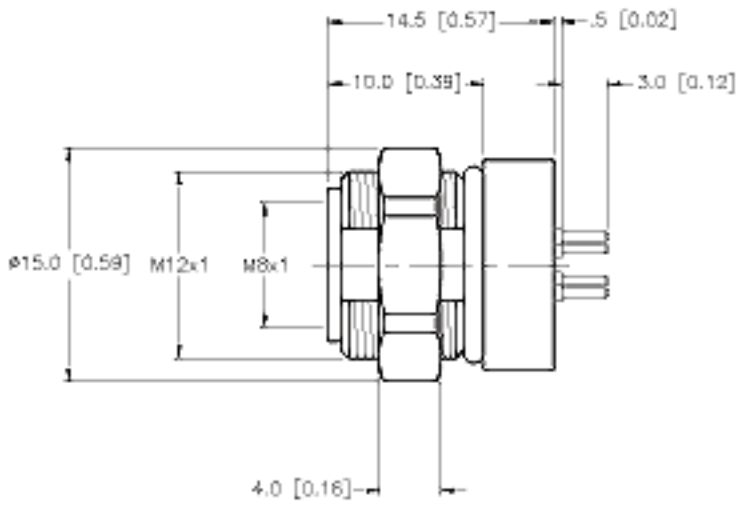




| SPECIFICATIONS | |
|----------------------------------|----------------------------------|
| CONTACT CARRIER MATERIAL | NYLON OR PUR |
| CONTACT MATERIAL/PLATING | BRASS/GOLD |
| HOUSING AND NUT MATERIAL/PLATING | BRASS/NICKEL |
| RATED CURRENT [A] | 2.0 A |
| RATED VOLTAGE [V] | 60 V |
| TEMPERATURE RANGE | -30°C to +80°C (-22°F to +176°F) |
| PROTECTION CLASS | MEETS NEMA 1,3,4,6P AND IEC IP67 |



END VIEW
LOCK NUT NOT SHOWN
FOR CLARITY



SOURCE DRAWING - FOR REFERENCE ONLY

| | | | | | |
|---|---|---|---------------------------|--|-----------------------------|
| RELATED DOCUMENTS 1. 2. 3. 4. | 3RD ANGLE PROJECTION | THIS DRAWING IS PROPERTY OF TURCK INC ANY USE OF THIS DOCUMENT WITHOUT WRITTEN PERMISSION IS PROHIBITED. | | TURCK INC <i>High Technology Sensors and Automation Controls</i> | |
| | MATERIAL SEE SPECIFICATIONS | TOLERANCES UNLESS OTHERWISE SPECIFIED 0.5 TO 6 ±0.1 6 TO 30 ±0.2 30 TO 200 ±0.3 OVER 200 ±0.4 ANGLES ±1° ALL RSH DIMENSIONS ARE REFERENCE ONLY | DRFT RDS DATE 04/29/03 | OSCH SCALE 1=5 | DESCRIPTION MFK5 4F-PCBF |
| FINISH SEE SPECIFICATIONS | UNIT OF MEASUREMENT MILLIMETER INCH | IDENTIFICATION NO. U0884-04 | | REV D | |
| DO NOT SCALE THIS DRAWING | | FILE: U0884-04 | | SHEET 1 OF 1 | |

| | |
|-----------------------------------|------------------------|
| D UPDATE RATED CURRENT, SEE ECO | RWC 11/09/03 13973 |
| REV DESCRIPTION | BY DATE ECO NO. |