

Sensors

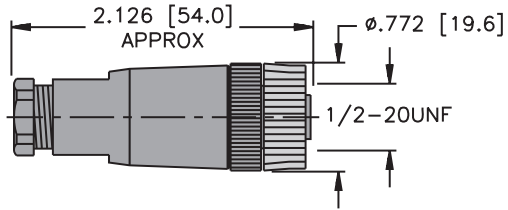
Mating Cordsets



3-Pin *microfast*® Field Wireables

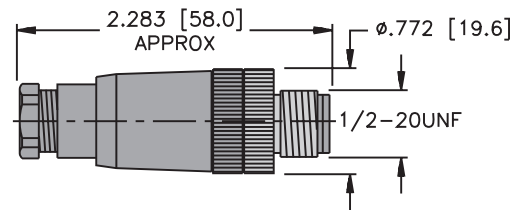
Application	Specifications	Straight/Female	Right Angle/ Female	Straight/Male	Right Angle/ Male
Mates with 3-pin cordsets and receptacles	PG 7 cable gland, accepts 4-6 mm cable Screw terminals	MF 3131-0	MF 3231-0	MFS 3131-0	MFS 3231-0

MF 31 ..



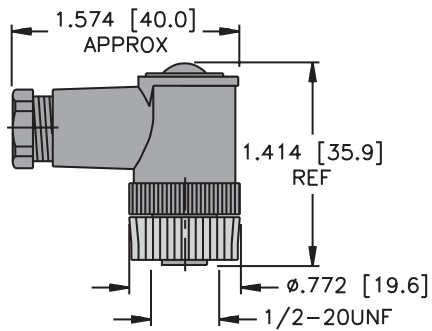
Female Connector

MFS 31 ..



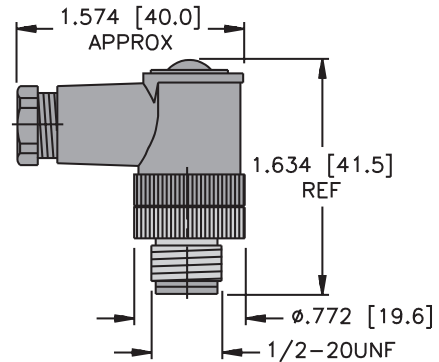
Male Connector

MF 32 ..



Female Connector

MFS 32 ..

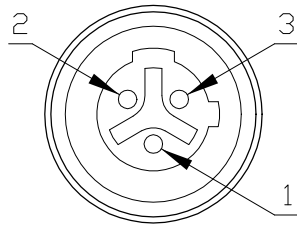


Male Connector

Pinouts

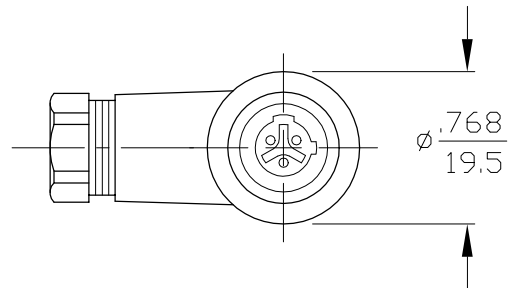
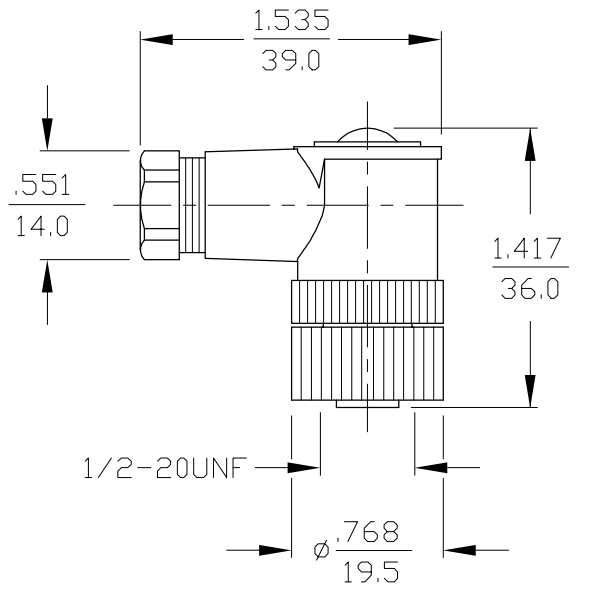
Female	Male
3-Pin	3-Pin

FEMALE CONNECTOR - END VIEW



SPECIFICATIONS

HOUSING MATERIAL/PLATING	PBT/BLACK
CONTACT MATERIAL/PLATING	NICKEL PLATED BRASS
COUPLING NUT MATERIAL/PLATING	NICKEL PLATED BRASS
RATED CURRENT [A]	4.0 A
RATED VOLTAGE [V]	250 V
MAXIMUM WIRE SIZE	18 AWG
CABLE GRIP RANGE	4-6 mm
TEMPERATURE RATING	-40°C to +85°C (-40°F to +185°F)
PROTECTION CLASS	MEETS NEMA 1,3,4,6,13 AND IEC IP67
SPACINGS [VDE 0110 b]	250 VAC/300 VDC, Gr. C



MATERIAL		3RD ANGLE PROJECTION		<p>3000 CAMPUS DRIVE MINNEAPOLIS, MN 55441 PHONE: (763) 553-7300</p>	
FINISH					
DRFT	SWC	DATE	9/6/95	PART NO./DESCR.	
DSGN		Y#		MF 3231-0	
DIMENSION UNITS: INCHES [MILLIMETERS]		SIZE	ID NO.	REV	
		A	U5591		
		SCALE	NONE	MIC\U5591	SHEET OF

REV	DESCRIPTION	DRFT	DATE	ECO NO.
	DRAWING RELEASED	SWC	9/6/95	
REVISIONS				