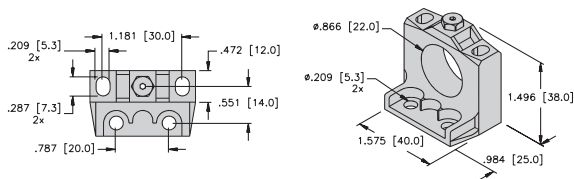


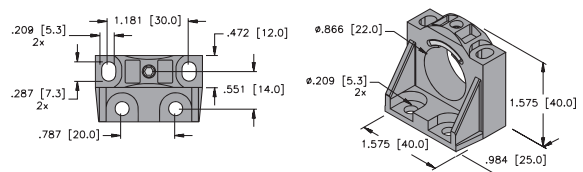
# Inductive Sensors



Housing Style - Rectangular	Part Number	ID Number	Features	Embeddable	Sensing Range (mm)	Output	
<b>CK40 - Embeddable/Nonembeddable, minifast® Connector</b> 	Bi15U-CK40-ADZ30X2-B1131 W/BS 2.1	M4280090	<i>Uprox</i>	•	15	2-Wire AC/DC Short-Circuit Protected	
	Ni25U-CK40-ADZ30X2-B1131 W/BS 2.1	M4280290	<i>Uprox</i>		25		
	Ni35U-CK40-ADZ30X2-B1131 W/BS 4	M4280410	<i>Uprox</i>		35		
	Bi15-CK40-ADZ30X2-B1131/S34 W/BS 2.1	M4244090		<b>WFI</b>	•	15	2-Wire AC/DC Short-Circuit Protected
	Bi15-CK40-AZ3X2-B1131 W/BS 2.1	M1335091			•	15	2-Wire AC/DC
	Ni20-CK40-AZ3X2-B1131 W/BS 2.1	M1335291				20	
<b>CK40 - Embeddable/Nonembeddable, microfast® Connector</b> 	Bi15U-CK40-ADZ30X2-B3131 W/BS 2.1	M4280091	<i>Uprox</i>	•	15	2-Wire AC/DC Short-Circuit Protected	
	Ni25U-CK40-ADZ30X2-B3131 W/BS 2.1	M4280291	<i>Uprox</i>		25		
	Ni35U-CK40-ADZ30X2-B3131 W/BS 4	M4280430	<i>Uprox</i>		35		
	Bi15-CK40-ADZ30X2-B3131/S34 W/BS 2.1	M4244290		<b>WFI</b>	•	15	2-Wire AC/DC Short-Circuit Protected
	Bi15-CK40-AZ3X2-B3131 W/BS 2.1	M1335095			•	15	2-Wire AC/DC
	Ni20-CK40-AZ3X2-B3131 W/BS 2.1	M1335290				20	



BS 2.1 Mounting Bracket



BS 4 Mounting Bracket

Voltage	Switching Freq. (Hz)	Operating Current (mA)	Operating Temp. (°C)	Protection	Housing	Front Cap/Face	Power LED	Output LED	Mating Cord, Cable Length/Jacket	Wiring Diagram #	Wiring Diagrams
10-300 VDC 20-250 VAC	60	≤400/300	-30 to +85	IP 67	PBT	PBT	GN	YE	RKM 30-*M	1	<p><b>Diagram 1</b></p> <p><b>Diagram 2</b></p>
	60	≤400/300	-30 to +85	IP 67	PBT	PBT	GN	YE	RKM 30-*M	1	
	60	≤400/300	-30 to +85	IP 67	PBT	PBT	GN	YE	RKM 30-*M	1	
10-300 VDC 20-250 VAC	30	≤400/300	-25 to +70	IP 67	PBT	PBT	GN	YE	RKM 30-*M	1	
	20	≤400/300	-25 to +70	IP 67	PBT	PBT	GN	YE	RKM 30-*M	1	
10-300 VDC 20-250 VAC	20	≤400/300	-25 to +70	IP 67	PBT	PBT	GN	YE	RKM 30-*M	1	
	20	≤400/300	-25 to +70	IP 67	PBT	PBT	GN	YE	RKM 30-*M	1	
	60	≤400/300	-30 to +85	IP 67	PBT	PBT	GN	YE	KB 3T-*	2	
10-300 VDC 20-250 VAC	60	≤400/300	-30 to +85	IP 67	PBT	PBT	GN	YE	KB 3T-*	2	
	60	≤400/300	-30 to +85	IP 67	PBT	PBT	GN	YE	KB 3T-*	2	
	60	≤400/300	-30 to +85	IP 67	PBT	PBT	GN	YE	KB 3T-*	2	
10-300 VDC 20-250 VAC	30	≤400/300	-25 to +70	IP 67	PBT	PBT	GN	YE	KB 3T-*	2	
	20	≤400/300	-25 to +70	IP 67	PBT	PBT	GN	YE	KB 3T-*	2	
10-300 VDC 20-250 VAC	20	≤400/300	-25 to +70	IP 67	PBT	PBT	GN	YE	KB 3T-*	2	
	20	≤400/300	-25 to +70	IP 67	PBT	PBT	GN	YE	KB 3T-*	2	

## WIRING DIAGRAM

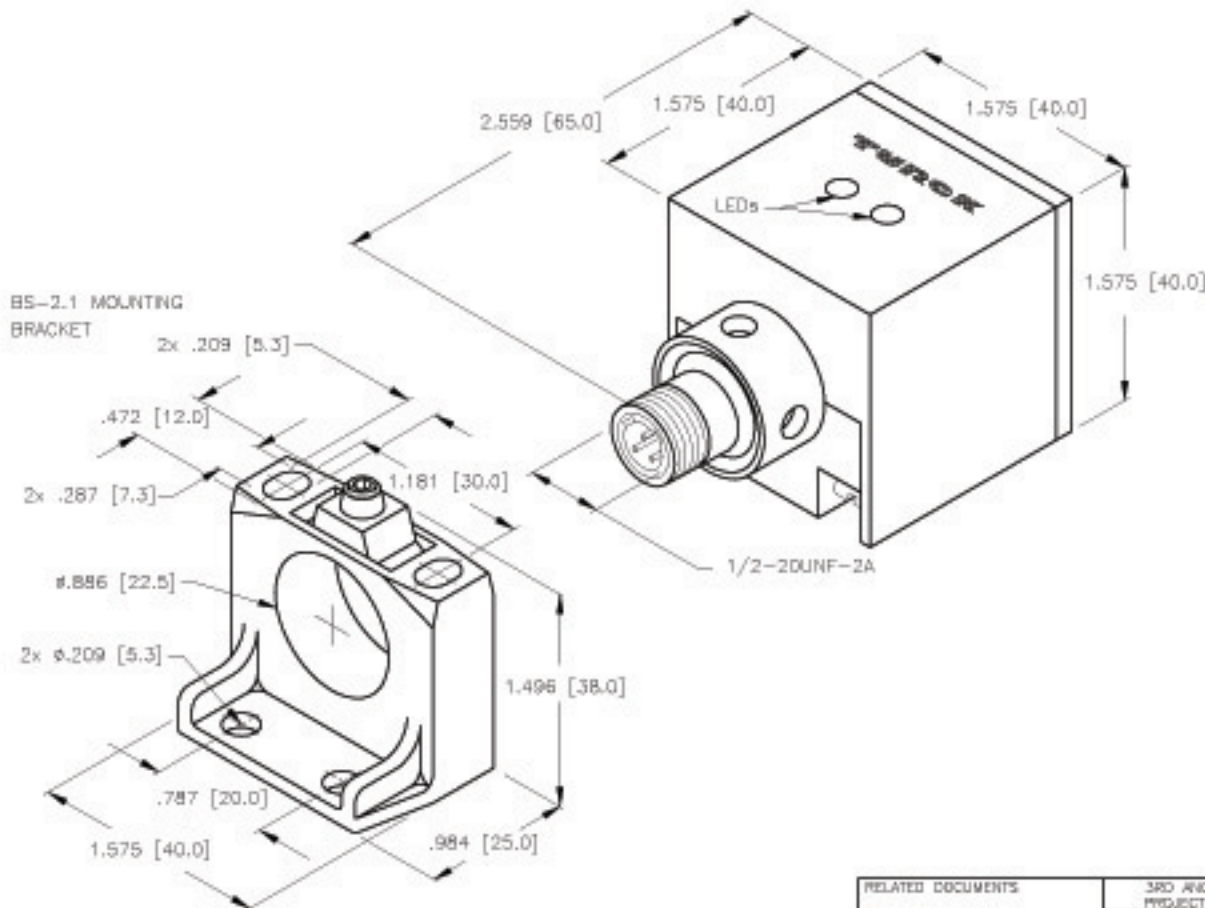


OUTPUT: AZ3X2

**WARNING: NO SHORT-CIRCUIT PROTECTION**  
ALWAYS WIRE A LOAD IN SERIES WITH THE SENSOR.

## SPECIFICATIONS

OPERATING VOLTAGE	20-250 VAC/10-300 VDC
LINE FREQUENCY	40-60 Hz
DIFFERENTIAL TRAVEL (HYSTERESIS)	3-15% (5% TYPICAL)
VOLTAGE DROP ACROSS CONDUCTING SENSOR	≤ 7.0 V at 500 mA
OUTPUT FUNCTION	NORMALLY OPEN, 2-WIRE, AC/DC, SELF-CONTAINED
SHORT-CIRCUIT PROTECTED	NO
CONTINUOUS LOAD CURRENT	≤ 400 mA AC/≤ 300 mA DC
MAX. OFF-STATE CURRENT	≤ 1.7 mA
MAX. LOAD CURRENT	≥ 5.0 mA
INRUSH CURRENT	≤ 8.0 A (≤ 10 ms/5 Hz)
TIME DELAY BEFORE AVAILABILITY	≤ 80 ms
POWER-ON EFFECT PROTECTION	INCORPORATED
PROTECTION AGAINST TRANSIENTS	5 kV, 10 ns, 10 kΩ
OPERATING TEMPERATURE	-25°C to +70°C (-13°F to +158°F)
ENCLOSURE	MEETS NEMA 1, 3, 4, 6, 13 AND IEC IP67
SHOCK	30 g, 11 ms
VIBRATION	55 Hz, 1 mm AMPLITUDE (IN ALL 3 PLANES)
LED FUNCTION	GREEN: POWER ON RED: OUTPUT ENERGIZED
RATED OPERATING DISTANCE(S <sub>th</sub> )	20 mm = .787" (NOMINAL)
SWITCHING FREQUENCY	20 Hz
MIN. REPEAT ACCURACY	≤ 2%
EMBEDDABLE (SHIELDED)	NO
MATING PLUGS/CABLES	3-PIN 'MICROFAST' CONSTRUCTION



**SOURCE DRAWING - FOR REFERENCE ONLY**

RELATED DOCUMENTS 1. 2. 3. 4.	3RD ANGLE PROJECTION 	THIS DRAWING IS PROPERTY OF TURCK INC. USE OF THIS DOCUMENT WITHOUT WRITTEN PERMISSION IS PROHIBITED.		<b>TURCK INC</b> High Technology Sensors and Automation Controls	
	MATERIAL PBT-GF30-VO PLASTIC HOUSING	TOLERANCES UNLESS OTHERWISE SPECIFIED .X ±0.02 .XX ±0.01 .XXX ±0.005 ANGLES ±1° ALL MILLIMETER DIMENSIONS ARE REFERENCE ONLY	DWFT DGS		
FINISH		DRSN JR	SCALE NONE	UNIT OF MEASUREMENT <b>INCH [ MILLIMETER ]</b>	IDENTIFICATION NO. M1335290
A DRAWING RELEASE	RDS 02/24/05	DO NOT SCALE THIS DRAWING		REV A	FILE: M1335290 SHEET 1 OF 1
REV DESCRIPTION	BY DATE EDD NO.				