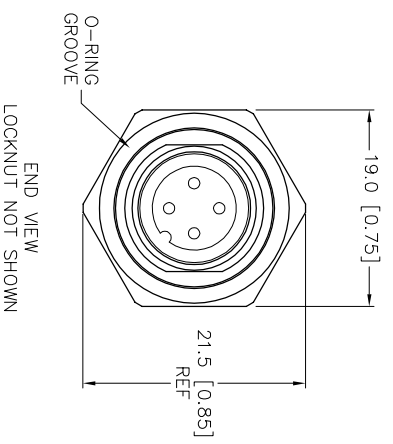
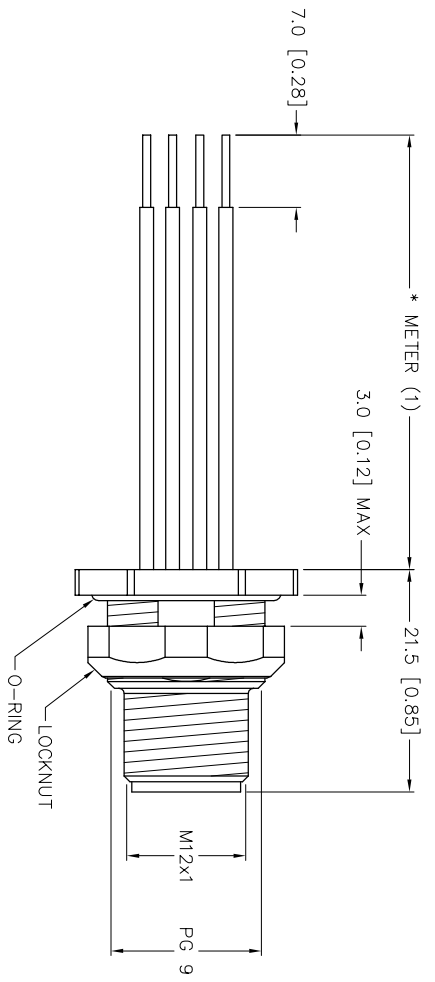


SPECIFICATIONS	
CONTACT CARRIER MATERIAL	NYLON or PUR
CONTACT MATERIAL/PLATING	GOLD-PLATED BRASS
RATED CURRENT [A]	4.0 A
RATED VOLTAGE [V]	250 V
HOUSING/LOCKNUT MATERIAL	NICKEL-PLATED BRASS
NUMBER OF CONDUCTORS [AWG]	4x22 AWG
TEMPERATURE RATING	-30°C to +80°C (-22°F to +176°F)
PROTECTION CLASS	MEETS NEMA 1,3,4,6P AND IEC IP68
SPACINGS	to VDE 0110 GROUP C



CABLE LENGTH	TOLERANCE
ALL LENGTHS	+ 4% (OR 50mm) OF LENGTH - 0% (OR 0mm) OF LENGTH WHICHEVER IS GREATER
STRIP LENGTH	TOLERANCE
0-7mm	±0.5mm
8-29mm	±1.0mm
30-49mm	±2.0mm
50-69mm	±3.0mm
70-100mm	±4.0mm
OVER 100mm	±5.0mm

NOTE(S):

1. "\*" INDICATES CABLE LENGTH IN METERS.

F	DATE	BY	RDS	DATE	ECO NO.	DESCRIPTION	REV
F	02/12/02		02/12/02		T5169	GAVE DRAWING "777" NUMBER	F
REV	DESCRIPTION		BY	DATE	ECO NO.		
	SPECIFICATIONS						
	SEE SPECIFICATIONS						
	FINISH SEE SPECIFICATIONS						
	MATERIAL SEE SPECIFICATIONS						
	RELATED DOCUMENTS						
	1. TURCK INC. USE OF THIS DOCUMENT WITHOUT WRITTEN PERMISSION IS PROHIBITED.						
	2. THIS DOCUMENT IS PROPERTY OF TURCK INC. USE OF THIS DOCUMENT WITHOUT WRITTEN PERMISSION IS PROHIBITED.						
	3. DATE 8/26/98						
	4. DSGN SWC SCALE 1=.8						
	UNIT OF MEASUREMENT MILLIMETER [ INCH ]						
	DO NOT SCALE THIS DRAWING						
	DESCRIPTION						
	FSFD 4.4-* (1)						
	IDENTIFICATION NO.						
	FILE: EURO-R\777000767						
	SHEET 1 OF 1						
	3000 CAMPUS DRIVE MINNEAPOLIS, MN 55441 1-800-544-7769 (763) 553-7300 (763) 553-0708 fax turck.com						