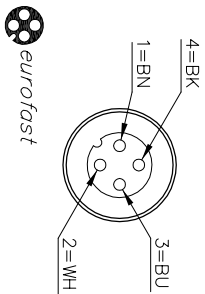
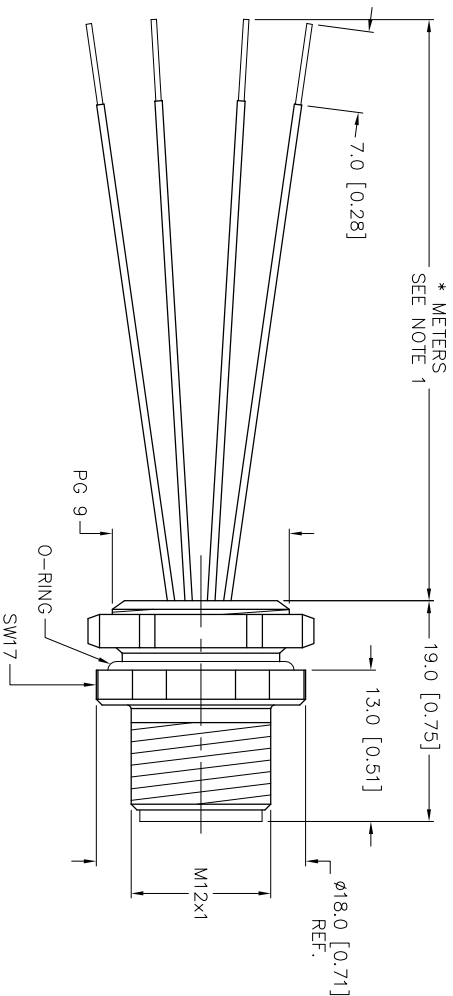


MALE PIN-OUT



SPECIFICATIONS

CONTACT CARRIER MATERIAL	NYLON OR PUR
CONTACT MATERIAL/PLATING	GOLD PLATED BRASS
HOUSING MATERIAL	NICKEL PLATED BRASS
RATED CURRENT [A]	4.0 A
RATED VOLTAGE [V]	250 V
CONDUCTOR INSULATION MATERIAL	PVC
NUMBER OF CONDUCTORS [AWG]	4x22 AWG
TEMPERATURE RATING	-30°C to +80°C (-22°F to +176°F)
PROTECTION CLASS	MEETS NEMA 1,3,4,6P AND IEC IP68



CABLE LENGTH	TOLERANCE
ALL LENGTHS	+ 4% (OR 50mm) OF LENGTH - 0% (OR 0mm) OF LENGTH WHICHEVER IS GREATER
STRIP LENGTH	TOLERANCE
0-7mm	±0.5mm
8-29mm	±1.0mm
30-49mm	±2.0mm
50-69mm	±3.0mm
70-100mm	±4.0mm
OVER 100mm	±5.0mm

NOTES:

- "\*" DESIGNATES LEAD LENGTH IN METERS. CONTACT TURCK TO ORDER SPECIFIC LENGTHS.
- STRIP AND TIN LENGTHS ARE FOR REFERENCE ONLY; SOME LENGTHS MAY NOT BE STRIPPED AND TINNED.

SOURCE DRAWING - FOR REFERENCE ONLY

RELATED DOCUMENTS	1. 1. 2. 2. 3. 3. 4. 4.	3RD ANGLE PROJECTION	THIS DOCUMENT IS PROPERTY OF TURCK INC. USE OF THIS DOCUMENT WITHOUT WRITTEN PERMISSION IS PROHIBITED.	DATE 03/13/01	DESCRIPTION FS 4.4-*
MATERIAL	TOLERANCES UNLESS OTHERWISE SPECIFIED		<b>TURCK inc</b> High Technology Sensors and Automation Controls	SCALE 1 = .7	3000 CAMPUS DRIVE MINNEAPOLIS, MN 55441 1-800-544-7769 (763) 553-7300 (763) 553-0708 fax turck.com
SEE SPECIFICATIONS	0.5 TO 6 ±0.1 6 TO 30 ±0.2 30 TO 200 ±0.3 OVER 200 ±0.4 ALL INCH DIMENSIONS ARE REFERENCE ONLY		DRFT JBU	UNIT OF MEASUREMENT MILLIMETER [ INCH ]	IDENTIFICATION NO.
SEE SPECIFICATIONS	ALL INCH DIMENSIONS ARE REFERENCE ONLY		DO NOT SCALE THIS DRAWING	FILE: EUOR-R\777000210	REV A

A	DRAWING RELEASE	JBU	03/13/01	ECO NO.
REV	DESCRIPTION	BY	DATE	

1. *	DESIGNATES LEAD LENGTH IN METERS. CONTACT TURCK TO ORDER SPECIFIC LENGTHS.
2.	STRIP AND TIN LENGTHS ARE FOR REFERENCE ONLY; SOME LENGTHS MAY NOT BE STRIPPED AND TINNED.