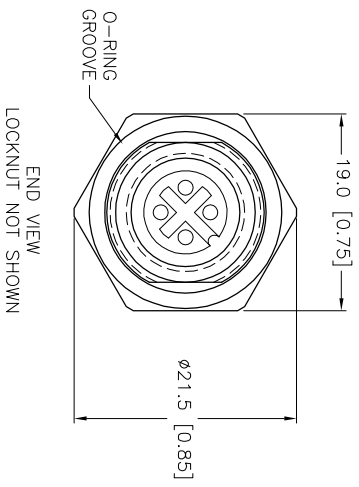
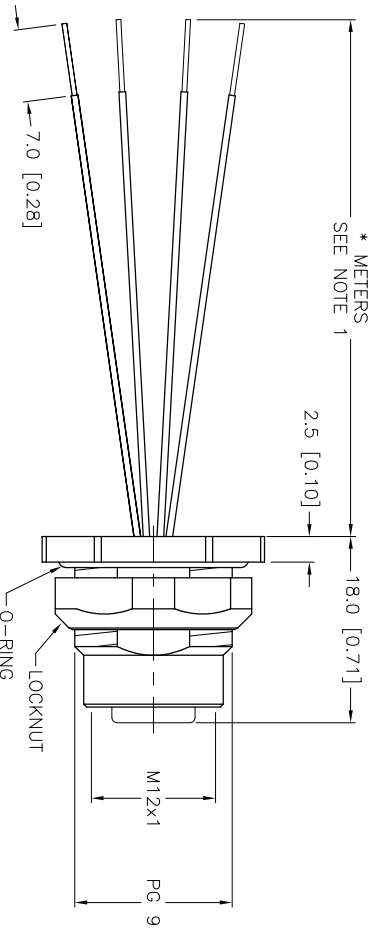


**Specifications**

|                            |                                  |
|----------------------------|----------------------------------|
| CONTACT CARRIER MATERIAL   | NYLON or PUR                     |
| CONTACT MATERIAL/PLATING   | GOLD-PLATED BRASS                |
| RATED CURRENT [A]          | 4.0 A                            |
| RATED VOLTAGE [V]          | 250 V                            |
| HOUSING/LOCKNUT MATERIAL   | NICKEL-PLATED BRASS              |
| NUMBER OF CONDUCTORS [AWG] | 4x22 AWG                         |
| TEMPERATURE RATING         | -30°C to +80°C (-22°F to +176°F) |
| PROTECTION CLASS           | MEETS NEMA 1,3,4,6P AND IEC IP68 |
| SPACINGS                   | to VDE 0110 GROUP C              |



| CABLE LENGTH | TOLERANCE   |
|--------------|---|
| ALL LENGTHS  | + 4% (OR 50mm) OF LENGTH<br>- 0% (OR 0mm) OF LENGTH<br>WHICHEVER IS GREATER |
| STRIP LENGTH | TOLERANCE   |
| 0-7mm        | ±0.5mm  |
| 8-29mm       | ±1.0mm  |
| 30-49mm      | ±2.0mm  |
| 50-69mm      | ±3.0mm  |
| 70-100mm     | ±4.0mm  |
| OVER 100mm   | ±5.0mm  |

**NOTES:**

1. "x" INDICATES LEAD LENGTH IN METERS. CONTACT TURCK TO ORDER SPECIFIC LENGTHS.

|     |                 |     |          |         |
|-----|-----------------|-----|----------|---------|
| REV | DESCRIPTION     | BY  | DATE     | ECO NO. |
| A   | DRAWING RELEASE | JBU | 04/01/03 |         |

**RELATED DOCUMENTS**

- 1.
- 2.
- 3.
- 4.

MATERIAL: SEE SPECIFICATIONS  
FINISH: SEE SPECIFICATIONS

**3RD ANGLE PROJECTION**

TOLERANCES UNLESS OTHERWISE SPECIFIED:  
0.5 TO 6 ±0.1  
6 TO 30 ±0.2  
30 TO 200 ±0.3  
OVER 200 ±0.4  
ALL INCH DIMENSIONS ARE REFERENCE ONLY

THIS DOCUMENT IS PROPERTY OF TURCK INC. USE OF THIS DOCUMENT WITHOUT WRITTEN PERMISSION IS PROHIBITED.

DRFT: JBU  
DATE: 04/01/03  
SCALE: 1=8

UNIT OF MEASUREMENT: MILLIMETER [ INCH ]

DO NOT SCALE THIS DRAWING

**TURCK inc**  
High Technology Sensors and Automation Controls

3000 CAMPUS DRIVE  
MINNEAPOLIS, MN 55441  
1-800-544-7769  
(763) 553-7300  
(763) 553-0708 fax  
turck.com

DESCRIPTION: FKFD 4,4-\*

IDENTIFICATION NO.:

FILE: EURO-R\777001953

REV: A

SHEET 1 OF 1

**SOURCE DRAWING - FOR REFERENCE ONLY**