

SAC-3P-M12MS/1,5-PUR/A-1L-S

Order No.: 1669097



Sensor/actuator cable, 3-pos, PUR/PVC black, straight M12 plug on valve connector type A, with one LED and Z-diode, cable length: 1.5 m

Commercial data

EAN	4017918128630
Pack	1 Pcs.
Customs tariff	85444290
Weight/Piece	0.1193 KG
Catalog page information	Page 90 (PC-2007)

Product notes

WEEE/RoHS-compliant since:
11/16/2006



Technical data

General data

Nominal current I_N	4 A
Nominal voltage U_N	24 V
Number of positions	3
Volume resistance	5 m Ω
Insulation resistance	≥ 100 M Ω

Length of cable	1.5 m
Ambient temperature (operation)	-25 °C ... 90 °C (plug/socket)
	-20 °C ... 85 °C (valve plug)
	-30 °C ... 80 °C (cable, fixed installation)
	-5 °C ... 70 °C (cable, flexible installation)

General characteristics

Coding	A - standard
Inflammability class acc. to UL 94	HB
Surge voltage category	II
Pollution degree	3
Degree of protection	IP67
Contact material	CuSn
Contact surface material	Ni/Au
Contact carrier material	TPU GF
Material of grip body	TPU, hardly inflammable, self-extinguishing
Contact material	CuSn
Contact surface material	Ag
Valve plug contact insert material	PBT
Material, housing, valve plug	PBT
Sealing material	TPU (Flat gasket valve plug)
Status display	1 LED
Protective circuit/component	Z diode

Conductor data

Cable type	PUR/PVC black
Conductor cross section	0.75 mm ²
AWG signal line	18
Conductor structure, signal line	24x 0.20 mm
External cable diameter	5.90 mm
Wire colors	Black 1, black 2, green/yellow
External sheath, color	Black RAL 9005

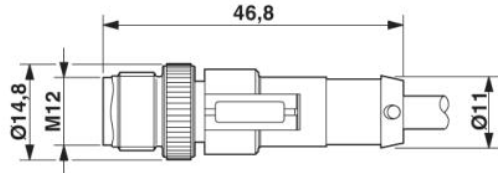
Certificates / Approvals

Certification

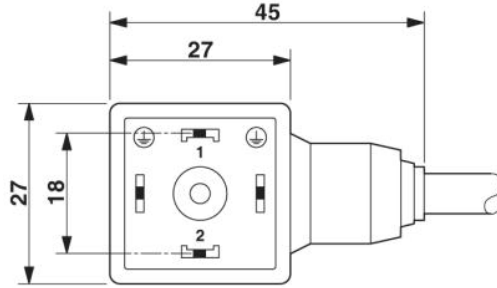
GOST

Drawings

Dimensioned drawing

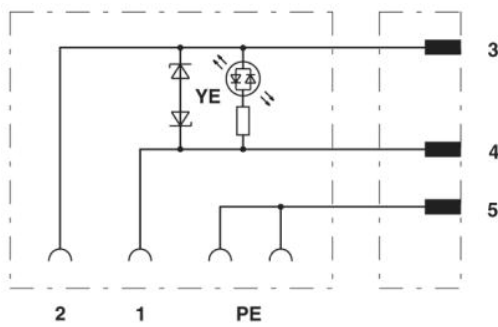


M12 x 1 male connector, straight



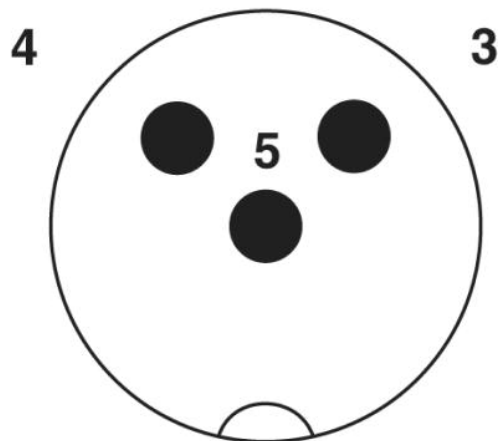
Valve plug, type A

Circuit diagram

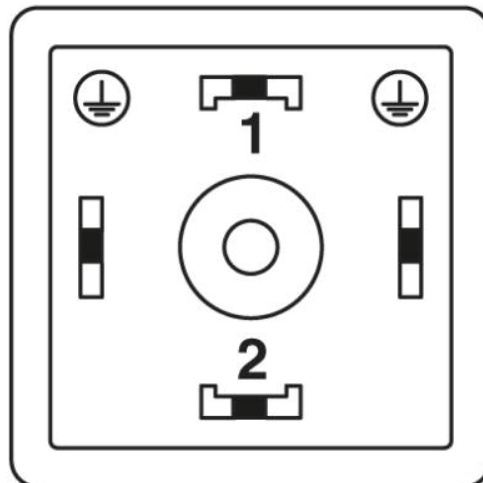


Contact assignment of M12 plugs / valve connector

Schematic diagram



Pin assignment M12 plug, 3-pos., valve connector



Valve connector pin assignment, type A