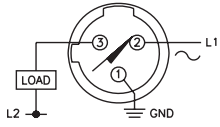


# Inductive Sensors



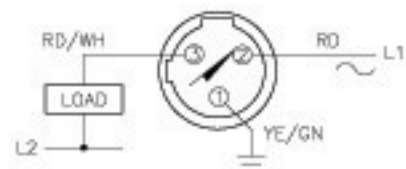
Housing Style	Part Number	ID Number	Features	Sensing Range (mm)	Output
<b>18 mm - Embeddable, <i>microfast</i>® Connection</b> 	Bi 5U-G18-ADZ30X2-B3331	M4281213	<i>Uprox</i>	5	2-Wire AC/DC Short-Circuit Protected
	Bi 5-G18-ADZ30X2-B3331	T4208092		5	
	Bi 8-G18-ADZ30X2-B3331	T4209301	<i>Ext. Range</i>	8	
<b>18 mm - Embeddable, <i>microfast</i> Connection, Teflon Coated</b> 	Bi 5-GT18-ADZ30X2-B3331	T4255491		5	2-Wire AC/DC Short-Circuit Protected
	Bi 5-GT18-ADZ30X2-B3331/S34	T4255400	<i>WFI</i>	5	
	Bi 5-GT18H-ADZ30X2-B3331/S34	T4255289	<i>WFI</i>	5	
	Bi 5-GT18H-ADZ30X2-B3331/S34/S1589	T4255283	<i>weldguard</i> ®	5	
	Bi 5U-GT18-ADZ30X2-B3331	M4281223	<i>Uprox</i>	5	
<b>18 mm - Embeddable, <i>microfast</i> Connection</b> 	Bi 5-G18-AZ3X-B3331	T4372098		5	2-Wire AC/DC

Output	Switching Freq. (Hz)	Operating Current (mA) VAC/VDC	Operating Temp. (°C)	Protection	Housing	Face	Power LED	Output LED	Mating Cordset	Wiring Diagram #	Wiring Diagrams
20-250 VAC 10-300 VDC	20	≤400/300	-30 to +85	IP 67	CPB	PA 12	GN	YE	KB 3T-*	1	<p><b>Diagram 1</b></p> 
	20	≤400/300	-25 to +70	IP 67	CPB	PA 12	GN	RD	KB 3T-*	1	
	20	≤400/300	-25 to +70	IP 67	SS	PA 12	GN	RD	KB 3T-*	1	
20-250 VAC 10-300 VDC	20	≤400/300	-25 to +70	IP 67	TC	TC	GN	RD	KB 3T-*	1	
	20	≤400/300	-25 to +70	IP 67	TC	TC	GN	RD	KB 3T-*	1	
	20	≤400/300	-25 to +70	IP 67	TC	SF	GN	RD	KB 3T-*	1	
	20	≤400/300	-25 to +70	IP 67	TC	WG	GN	RD	KBE 3T-*	1	
	20	≤400/300	-30 to +85	IP 67	TC	TC	GN	YE	KB 3T-*		
20-250 VAC 10-300 VDC	20	≤400/300	-25 to +70	IP 67	CPB	PA 12	N/A	RD	KB 3T-*	1	

\* Length in meters.

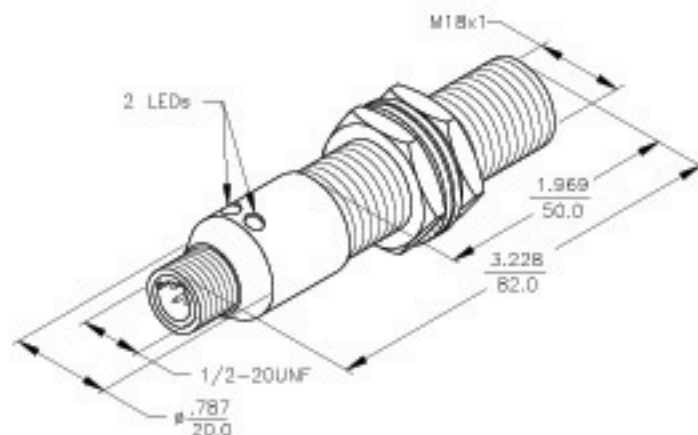
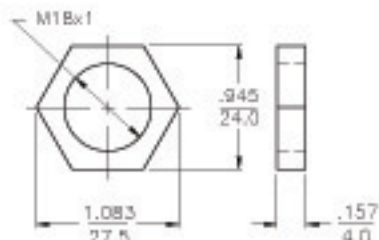
## WIRING DIAGRAM

## LOCKNUT LN-M18



OUTPUT: ADZ30X2

SHORT-CIRCUIT AND OVERLOAD PROTECTED



## NOTES:

1. MATERIALS:  
 CHROME-PLATED BRASS BARREL.  
 CHROME-PLATED BRASS CONNECTOR.  
 CHROME-COATED BRASS LOCKNUTS.  
 BLACK-CHROMATED STEEL LOCKWASHERS.  
 PA 12-GF30 PLASTIC SENSING FACE.

## SPECIFICATIONS

OPERATING VOLTAGE	20-250 VAC, 10-300 VDC
LINE FREQUENCY	40-60 Hz
DIFFERENTIAL TRAVEL (HYSTERESIS)	3-15% (5% TYPICAL)
VOLTAGE DROP ACROSS CONDUCTING SENSOR	≤ 6.0 V at 400 mA
OUTPUT FUNCTION	NORMALLY OPEN 2-WIRE AC/DC SELF-CONTAINED
SHORT-CIRCUIT PROTECTED	YES
TRIGGER CURRENT FOR OVERLOAD PROTECTION	≥ 440 mA, ≥ 330 mA
CONTINUOUS LOAD CURRENT	400 mA AC MAX. 300 mA DC MAX.
OFF-STATE (LEAKAGE) CURRENT	≤ 1.7 mA
MINIMUM LOAD CURRENT	≥ 3.0 mA
INRUSH CURRENT	≤ 4 A (≤ 20 ms/5 Hz)
TIME DELAY BEFORE AVAILABILITY	≤ 60 ms
POWER-ON EFFECT PROTECTION	PER IEC 947-5-2
PROTECTION AGAINST TRANSIENTS	PER EN 60947-5-2
OPERATING TEMPERATURE	-25°C to +70°C
ENCLOSURE	MEETS NEMA 1, 3, 4, 6, 13 AND IEC IP67
SHOCK	30 g, 11 ms
VIBRATION	55 Hz, 1 mm AMPLITUDE (IN ALL 3 PLANES)
LED FUNCTION	GREEN: STEADY-POWER ON FLASHING GREEN = SHORT-CIRCUIT WARNING RED: OUTPUT ENERGIZED
RATED OPERATING DISTANCE(Sn)	8 mm = .315" (NOMINAL)
SWITCHING FREQUENCY	60 Hz
REPEATABILITY	≤ 2% of RATED OPERATING DISTANCE
EMBEDDABLE (SHIELDED)	YES
MATING PLUGS/CABLES	3-PIN "MICROFAST" CONSTRUCTION

RELATED DOCUMENTS	3RD ANGLE PROJECTION	THIS DRAWING IS PROPERTY OF TURCK INC. USE OF THIS DOCUMENT WITHOUT WRITTEN PERMISSION IS PROHIBITED.		<b>TURCK INC</b> High Technology Sensors and Automation Controls	
1. 2. 3. 4.	TOLERANCES UNLESS OTHERWISE SPECIFIED	DFT	CBM	DATE 09/15/99	DESCRIPTION
MATERIAL SEE NOTES	.X ±0.02 .XX ±0.01 .XXX ±0.005	USDR		SCALE NONE	Bi B-G18-ADZ30X2-B3331
FINISH	ANGLES ±1°	UNIT OF MEASUREMENT <b>INCH [ MILLIMETER ]</b>		IDENTIFICATION NO.	REV
B UPDATE NOTES AND BARREL MATERIAL	RDS 05/13/08 21401	DO NOT SCALE THIS DRAWING		T4209301	B
REV DESCRIPTION	BY DATE EDD NO.	FILE: T4209301		SHEET 1 OF 1	