

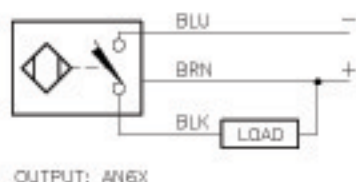
# Inductive Sensors



Housing Style	Part Number	ID Number	Features	Sensing Range (mm)	Output	
<b>18 mm - Embeddable, Potted-In Cable, Partial Threading</b> 	Bi 5-M18-AD4X	T4411000		5	2-Wire DC	
	Bi 7-M18-AD4X	T4414535	Ext. Range	7		
	Bi 5U-EM18-AN6X	M1635320	Uprox	5	3-Wire DC NPN	
	Bi 5U-M18-AN6X	M1635120	Uprox	5		
	Bi 8-M18-AN6X	T4615130	Ext. Range	8		
	Bi 5-M18-AN6X	M4611100		5		
	Bi 5-M18-AP6X/S100	M4611004	High Temp. 100°C	5	3-Wire DC PNP	
	Bi 5U-EM18-AP6X	M1635300	Uprox	5		
	Bi 5U-M18-AP6X	M1635100	Uprox	5		
	Bi 8-M18-AP6X	T4615030	Ext. Range	8		
	Bi 5-M18-VN4X	T1571100	Comp. Outputs	5	4-Wire DC NPN	
	Bi 8-M18-VN4X	T4590703	Comp. Outputs	8		
	Bi 5-M18-VP4X	T1561100	Comp. Outputs	5	4-Wire DC PNP	
	Bi 8-M18-VP4X	T4590704	Comp. Outputs	8		
	<b>18 mm - Embeddable, Potted-In Cable, Partial Threading, Teflon Coated</b> 	Bi 5U-MT18-ADZ30X2	M4209410	Uprox	5	2-Wire AC/DC

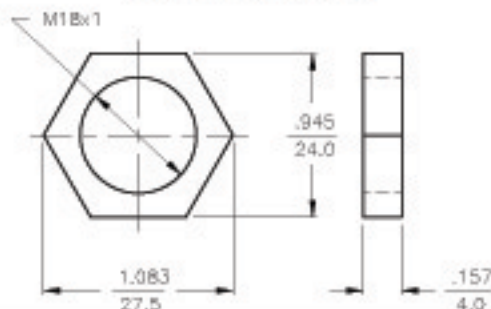


### WIRING DIAGRAMS



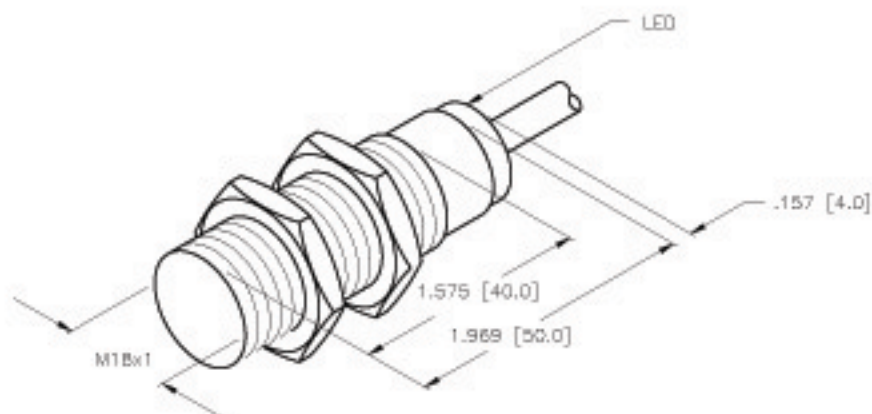
SHORT-CIRCUIT AND OVERLOAD PROTECTED

### LOCKNUT LN-M18



### SPECIFICATIONS

OPERATING VOLTAGE	10-30 VDC
RIPPLE	≤10%
DIFFERENTIAL TRAVEL (HYSTERESIS)	3-15% (5% TYPICAL)
VOLTAGE DROP ACROSS CONDUCTING SENSOR	≤1.8 V at 200 mA
OUTPUT FUNCTION	NORMALLY OPEN 3-WIRE DC SELF-CONTAINED
TTL COMPATIBLE	NO
SHORT-CIRCUIT PROTECTED	YES
TRIGGER CURRENT FOR OVERLOAD PROTECTION	≥220 mA
CONTINUOUS LOAD CURRENT	≤200 mA
OFF-STATE (LEAKAGE) CURRENT	<100µA
NO-LOAD CURRENT	≤15 mA
TIME DELAY BEFORE AVAILABILITY	≤8 ms
POWER-ON EFFECT PROTECTION	INCORPORATED
REVERSE POLARITY PROTECTION	INCORPORATED
WIRE-BREAK PROTECTION	INCORPORATED
PROTECTION AGAINST TRANSIENTS	EN 60947-5-2
OPERATING TEMPERATURE	-25°C to +70°C (-13°F to +158°F) -30°C to +85°C (-22°F to +185°F) W/10% TEMP. DRIFT
ENCLOSURE	MEETS NEMA 1, 3, 4, 6, 13 AND IEC IP67
SHOCK	30 g, 11 ms
VIBRATION	55 Hz, 1 mm AMPLITUDE (IN ALL 3 PLANES)
LED FUNCTION	YELLOW: OUTPUT ENERGIZED
RATED OPERATING DISTANCE(Sn)	5 mm = .197" (NOMINAL)
SWITCHING FREQUENCY	2500 Hz
REPEATABILITY	≤2% of RATED OPERATING DISTANCE
EMBEDDABLE (SHIELDED)	YES



NOTES:

1. UPROX HAS IMMUNITY TO AC AND DC WELD FIELDS.

RELATED DOCUMENTS 1. 2. 3. 4.	3RD ANGLE PROJECTION 	THIS DRAWING IS PROPERTY OF TURCK INC. USE OF THIS DOCUMENT WITHOUT WRITTEN PERMISSION IS PROHIBITED.		 High Technology Sensors and Automation Controls	
	MATERIAL BRASS BARREL	TOLERANCES UNLESS OTHERWISE SPECIFIED .X ±0.02 .XX ±0.01 .XXX ±0.005 ANGLES ±1° ALL MILLIMETER DIMENSIONS ARE REFERENCE ONLY	DRFT IK DATE 7/18/97		
FINISH COPPER/NICKEL/ CHROME PLATING	UNIT OF MEASUREMENT <b>INCH [ MILLIMETER ]</b>	SCALE NONE	IDENTIFICATION NO. M1635120		REV A
DO NOT SCALE THIS DRAWING		FILE: M1635120		SHEET 1 OF 1	

A	DRAWING RELEASE	RDS	08/27/03	5504
REV	DESCRIPTION	BY	DATE	EDD NO.