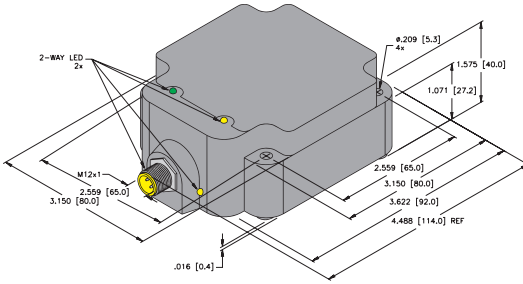
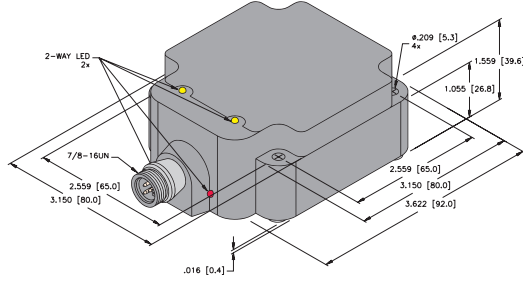
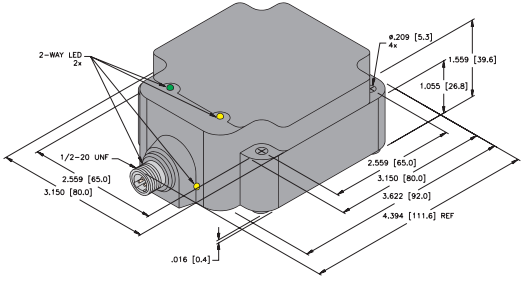
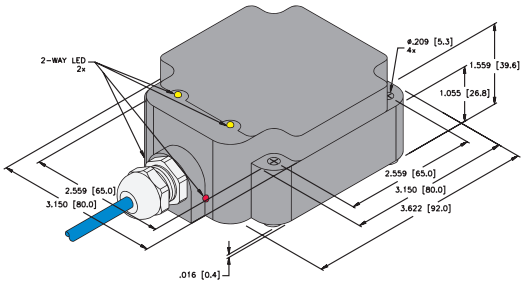


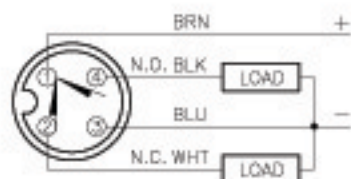
Inductive Sensors



Housing Style - Rectangular	Part Number	ID Number	Features	Embeddable	Sensing Range (mm)	Output
Q80 - Embeddable/Nonembeddable, eurofast® Connector 	Bi50U-Q80-AN6X2-H1141	M1608944	<i>Uprox</i>	•	50	3-Wire DC NPN
	Bi50U-Q80-AP6X2-H1141	M1608940	<i>Uprox</i>	•	50	3-Wire DC PNP
	Bi50U-Q80-VN4X2-H1141	M1562001	<i>Uprox</i>	•	50	4-Wire DC NPN
	Ni70U-Q80-VN4X2-H1141	M1625521	<i>Uprox</i>	•	70	
	Bi50U-Q80-VP4X2-H1141	M1562000	<i>Uprox</i>	•	50	4-Wire DC PNP
Ni70U-Q80-VP4X2-H1141	M1625833	<i>Uprox</i>	•	70		
Q80 - Embeddable, minifast® Connector 	Bi50-Q80-ADZ30X2-B1131	M4200310		•	50	2-Wire AC/DC Short-Circuit Protected
Q80 - Embeddable, microfast® Connector 	Bi50-Q80-ADZ30X2-B3131	M4200311		•	50	2-Wire AC/DC Short-Circuit Protected
CP80 - Embeddable/Nonembeddable, Terminal Chamber 	Ni60-Q80-Y1X	M1008700			60	2-Wire NAMUR

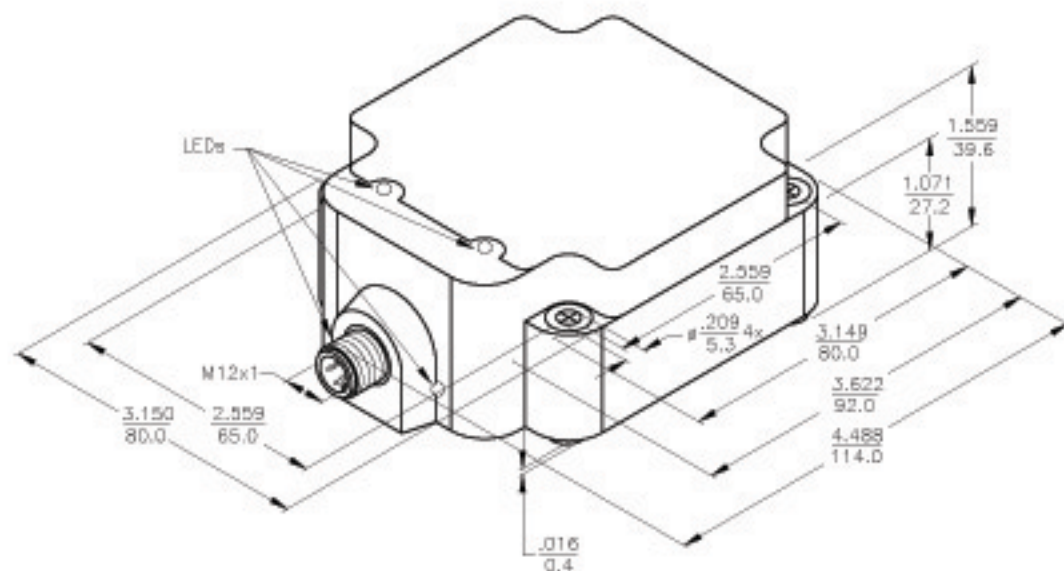
Voltage	Switching Freq. (Hz)	Operating Current (mA)	Operating Temp. (°C)	Protection	Housing	Front Cap/Face	Power LED	Output LED	Mating Cord, Cable Length/Jacket	Wiring Diagram #	Wiring Diagrams
10-30 VDC	250	≤200	-25 to +70	IP 68	PBT	PBT	GN	YE	RK 4T-*	1	<p>Diagram 1</p>
10-30 VDC	250	≤200	-25 to +70	IP 68	PBT	PBT	GN	YE	RK 4T-*	2	
10-65 VDC	250	≤200	-25 to +70	IP 68	PBT	PBT	GN	YE	RK 4.4T-*	3	<p>Diagram 2</p>
	250	≤200	0 to +50	IP 67	PBT	PBT	GN	YE	RK 4.4T-*	3	
10-65 VDC	250	≤200	-25 to +70	IP 68	PBT	PBT	GN	YE	RK 4.4T-*	4	<p>Diagram 3</p>
	250	≤200	-25 to +70	IP 68	PBT	PBT	GN	YE	RK 4.4T-*	4	
20-250 VAC 10-300 VDC	20	≤400/300	-25 to +70	IP 67	PBT	PBT	GN	YE	RKM 30-*M	5	<p>Diagram 3</p>
20-250 VAC 10-300 VDC	20	≤400/300	-25 to +70	IP 67	PBT	PBT	GN	YE	KB 3T-*	6	<p>Diagram 4</p>
											<p>Diagram 5</p>
20-250 VAC 10-300 VDC	20	≤400/300	-25 to +70	IP 67	PBT	PBT	GN	YE	KB 3T-*	6	<p>Diagram 5</p>
											<p>Diagram 6</p>
20-250 VAC 10-300 VDC	20	≤400/300	-25 to +70	IP 67	PBT	PBT	GN	YE	KB 3T-*	6	<p>Diagram 6</p>
											<p>Diagram 7</p>
5-30 VDC	100	Remote	-25 to +70	IP 67	PBT	PBT	N/A	N/A	- - - -	7	<p>Diagram 7</p>
											<p>Diagram 7</p>

WIRING DIAGRAM



OUTPUT: VP4X2

SHORT-CIRCUIT AND OVERLOAD PROTECTED



SPECIFICATIONS

OPERATING VOLTAGE	10-65 VDC
RIPPLE	≤ 10%
DIFFERENTIAL TRAVEL (HYSTERESIS)	3-15% (5% TYPICAL)
VOLTAGE DROP ACROSS CONDUCTING SENSOR	≤ 1.8 V at 200 mA
OUTPUT FUNCTION	COMPLEMENTARY OUTPUT: ONE N.O.; ONE N.C. (SPDT)
TTL COMPATIBLE	NO
SHORT-CIRCUIT PROTECTED	YES
TRIGGER CURRENT FOR OVERLOAD PROTECTION	≥ 220 mA
CONTINUOUS LOAD CURRENT	≤ 200 mA
OFF-STATE (LEAKAGE) CURRENT	< 10 μA
NO-LOAD CURRENT	4.0-9.5 mA
TIME DELAY BEFORE AVAILABILITY	≤ 80 ms
POWER-ON EFFECT PROTECTION	INCORPORATED
REVERSE POLARITY PROTECTION	INCORPORATED
WIRE-BREAK PROTECTION	INCORPORATED
PROTECTION AGAINST TRANSIENTS	EN 6047-5-2
OPERATING TEMPERATURE	-30°C to +85°C (-22°F to +185°F)
ENCLOSURE	MEETS NEMA 1, 3, 4, 6, 13 AND IEC IP67
SHOCK	30 g, 11 ms
VIBRATION	55 Hz, 1 mm AMPLITUDE (ALL 3 PLANES)
LED FUNCTION	YELLOW: OUTPUT ENERGIZED GREEN: POWER ON
SENSING RANGE	50 mm = 1.968" (NOMINAL)
SWITCHING FREQUENCY	250 Hz
REPEATABILITY	≤ 2% of RATED OPERATING DISTANCE

RELATED DOCUMENTS 1. 2. 3. 4.	3RD ANGLE PROJECTION 	THIS DRAWING IS PROPERTY OF TURCK INC. USE OF THIS DOCUMENT WITHOUT WRITTEN PERMISSION IS PROHIBITED.		TURCK INC High Technology Sensors and Automation Controls	
	MATERIAL PBT-GF30-VO PLASTIC	TOLERANCES UNLESS OTHERWISE SPECIFIED .X ±0.02 .XX ±0.01 .XXX ±0.005 ANGLES ±1° ALL MILLIMETER DIMENSIONS ARE REFERENCE ONLY	DWT JBJ DATE 03/27/00	DESCRIPTION Bi5CU-Q80-VP4X2-H1141	IDENTIFICATION NO. M1562000
FINISH	UNIT OF MEASUREMENT INCH [MILLIMETER]	SCALE NONE	DO NOT SCALE THIS DRAWING		
FILE: M1562000	SHEET 1 OF 1				

A	DRAWING RELEASE	CBM	10/05/00	
REV	DESCRIPTION	BY	DATE	EDD NO.