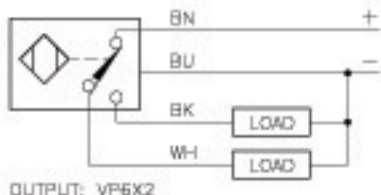


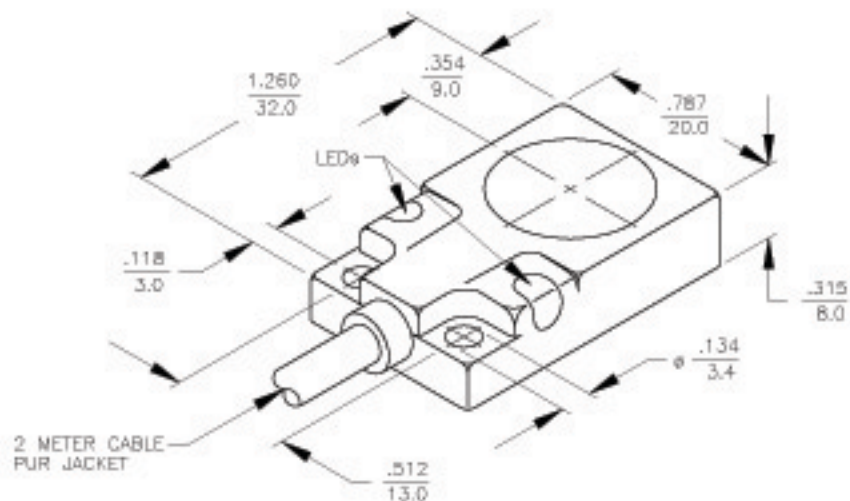
Housing Style - Rectangular	Part Number	ID Number	Features	Embeddable	Sensing Range (mm)	Output
8.0 mm - Embeddable, Potted-In Cable 	Bi 5-Q08-AD4X/S34	S4414550	<i>Weld-field Immune</i>	•	5	2-Wire DC
	Bi 5U-Q08-AN6X2	S1608911	<i>Uprox</i>	•	5	3-Wire DC NPN
	Bi 5-Q08-AN6X2/S34		<i>Weld-field Immune</i>	•	5	
	Bi 7-Q08-AN6X2	S1601620	<i>Ext. Range</i>	•	7	
	Bi 8U-Q08-AN6X2	S1662007	<i>Uprox</i>	•	8	
	Bi 5U-Q08-AP6X2	S1608901	<i>Uprox</i>	•	5	3-Wire DC PNP
	Bi 5-Q08-AP6X2/S34	S1600800	<i>Weld-field Immune</i>	•	5	
	Bi 7-Q08-AP6X2	S1601600	<i>Ext. Range</i>	•	7	
	Bi 8U-Q08-AP6X2	S1662006	<i>Uprox</i>	•	8	
	Bi 5-Q08-VN6X2	S1600200	<i>Comp. Outputs</i>	•	5	4-Wire DC NPN
	Bi 5-Q08-VN6X2/S34		<i>Weld-field Immune</i>	•	5	
	Bi 7-Q08-VN6X2	S1600920	<i>Ext. Range</i>	•	7	
	Bi 5-Q08-VP6X2	S1600100	<i>Comp. Outputs</i>	•	5	4-Wire DC PNP
	Bi 5-Q08-VP6X2/S34	S1600101	<i>Weld-field Immune</i>	•	5	
	Bi 7-Q08-VP6X2	S1600900	<i>Ext. Range</i>	•	7	
Bi 5-Q08-Y1X	S4054000			•	5	2-Wire NAMUR

Voltage	Switching Freq. (Hz)	Operating Current (mA)	Operating Temp. (°C)	Protection	Housing	Front Cap/Face	Power LED	Output LED	Mating Cord, Cable Length/Jacket	Wiring Diagram #	Wiring Diagrams
10-65 VDC	50	≤100	-25 to +70	IP 67	Zinc	PA 12	N/A	YE	2M/PVC	1	<p>Diagram 1</p>
10-30 VDC	1000	≤200	-30 to +85	IP 67	Zinc	PA 12	GN	YE	2M/PVC	2	<p>Diagram 2</p>
	300	≤100	-25 to +70	IP 67	Zinc	PA 12	GN	YE	2M/PVC	2	
	500	≤200	-25 to +70	IP 67	Zinc	PA 12	GN	YE	2M/PVC	2	
	1000	≤200	-30 to +85	IP 67	Zinc	PA 12	GN	YE	2M/PVC	2	
10-30 VDC	1000	≤200	-30 to +85	IP 67	Zinc	PA 12	GN	YE	2M/PVC	3	<p>Diagram 3</p>
	300	≤100	-25 to +70	IP 67	Zinc	PA 12	GN	YE	2M/PVC	3	
	500	≤200	-25 to +70	IP 67	Zinc	PA 12	GN	YE	2M/PVC	3	
	1000	≤200	-30 to +85	IP 67	Zinc	PA 12	GN	YE	2M/PVC	3	
10-30 VDC	1000	≤200	-25 to +70	IP 67	Zinc	PA 12	GN	YE	2M/PVC	4	<p>Diagram 4</p>
	300	≤100	-25 to +70	IP 67	Zinc	PA 12	GN	YE	2M/PVC	4	
	500	≤200	-25 to +70	IP 67	Zinc	PA 12	GN	YE	2M/PVC	4	
10-30 VDC	1000	≤200	-25 to +70	IP 67	Zinc	PA 12	GN	YE	2M/PVC	5	<p>Diagram 5</p>
	300	≤100	-25 to +70	IP 67	Zinc	PA 12	GN	YE	2M/PVC	5	
	500	≤200	-25 to +70	IP 67	Zinc	PA 12	GN	YE	2M/PVC	5	
5-30 VDC	1000	Remote	-25 to +70	IP 67	Zinc	PA 12	N/A	YE	2M/PVC	6	<p>Diagram 6</p>

WIRING DIAGRAM



SHORT-CIRCUIT AND OVERLOAD PROTECTED



SPECIFICATIONS

OPERATING VOLTAGE	10-30 VDC
RIPPLE	≤10%
DIFFERENTIAL TRAVEL (HYSTERESIS)	3-15% (5% TYPICAL)
VOLTAGE DROP ACROSS CONDUCTING SENSOR	≤1.8 V at 100 mA
OUTPUT FUNCTION	COMPLEMENTARY OUTPUT ONE N.O., ONE N.C. (SPDT)
TTL COMPATIBLE	NO
SHORT-CIRCUIT PROTECTED	YES
TRIGGER CURRENT FOR OVERLOAD PROTECTION	≥150 mA
CONTINUOUS LOAD CURRENT	≤100 mA
OFF-STATE (LEAKAGE) CURRENT	<10 μ A
NO-LOAD CURRENT	5.5-9.5 mA
TIME DELAY BEFORE AVAILABILITY	≤8 ms
POWER-ON EFFECT PROTECTION	INCORPORATED
REVERSE POLARITY PROTECTION	INCORPORATED
WIRE-BREAK PROTECTION	INCORPORATED
PROTECTION AGAINST TRANSIENTS	2 kV, 1ms, 1 k Ω
OPERATING TEMPERATURE	-25°C to +70°C (-13°F to +158°F)
ENCLOSURE	MEETS NEMA 1, 3, 4, 6, 13 AND IEC IP67
SHOCK	30 g, 11 ms
VIBRATION	55 Hz, 1 mm AMPLITUDE (IN ALL 3 PLANES)
LED FUNCTION	GREEN: POWER ON YELLOW: OUTPUT ENERGIZED
SENSING RANGE	5 mm = .197" (NOMINAL)
SWITCHING FREQUENCY	1000 Hz
REPEATABILITY	≤2% of RATED OPERATING DISTANCE
EMBEDDABLE (SHIELDED)	YES

RELATED DOCUMENTS 1. 2. 3. 4.	3RD ANGLE PROJECTION 	THIS DRAWING IS PROPERTY OF TURCK INC. USE OF THIS DOCUMENT WITHOUT WRITTEN PERMISSION IS PROHIBITED.		TURCK INC High Technology Sensors and Automation Controls	
	MATERIAL DIE CAST ZINC	TOLERANCES UNLESS OTHERWISE SPECIFIED .X ±0.02 .XX ±0.01 .XXX ±0.005 ANGLES ±1° ALL MILLIMETER DIMENSIONS ARE REFERENCE ONLY	DRAFT GMB DATE 11/2/89	DESCRIPTION BI5-Q08-VP6X2	
FINISH		UNIT OF MEASUREMENT INCH [MILLIMETER]	SCALE NONE	IDENTIFICATION NO. S1600100	REV D
D UPDATE TO PUR CABLE JACKET RDS 07/08/08 21953	BY DATE EDO NO.	DO NOT SCALE THIS DRAWING		FILE: S1600100	SHEET 1 OF 1

D	UPDATE TO PUR CABLE JACKET	RDS	07/08/08	21953
REV	DESCRIPTION	BY	DATE	EDO NO.