

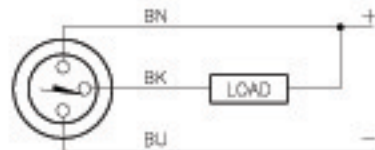
Inductive Sensors



Housing Style - Rectangular	Part Number	ID Number	Features	Embeddable	Sensing Range (mm)	Output
8.0 mm - Embeddable, picofast® Connector 	Bi 5-Q08-AD4X-V1130	S4414551		•	5	2-Wire DC
	Bi 5U-Q08-AN6X2-V1131	S1608910	<i>Uprox</i>	•	5	3-Wire DC NPN
	Bi 5-Q08-AN6X2-V1131	S1600600		•	5	
	Bi 5-Q08-AN6X2-V1131/S34		<i>Weld-field Immune</i>	•	5	
	Bi 7-Q08-AN6X2-V1131	S1601622	<i>Ext. Range</i>	•	7	
	Bi 8U-Q08-AN6X2-V1131	S1662008	<i>Uprox</i>	•	8	
	Bi 5U-Q08-AP6X2-V1131	S1608900	<i>Uprox</i>	•	5	3-Wire DC PNP
	Bi 5-Q08-AP6X2-V1131	S1600500		•	5	
	Bi 5-Q08-AP6X2-V1131/S34	S1600501	<i>Weld-field Immune</i>	•	5	
	Bi 7-Q08-AP6X2-V1131	S1601602	<i>Ext. Range</i>	•	7	
Bi 8U-Q08-AP6X2-V1131	S1662005	<i>Uprox</i>	•	8		
8.0 mm - Embeddable, picofast Connector 	Bi 5-Q08-VN6X2-V1141	S1600400	<i>Comp. Outputs</i>	•	5	4-Wire DC NPN
	Bi 7-Q08-VN6X2-V1141	S1600922	<i>Ext. Range</i>	•	7	
	Bi 5-Q08-VP6X2-V1141	S1600300	<i>Comp. Outputs</i>	•	5	4-Wire DC PNP
	Bi 7-Q08-VP6X2-V1141	S1600902	<i>Ext. Range</i>	•	7	

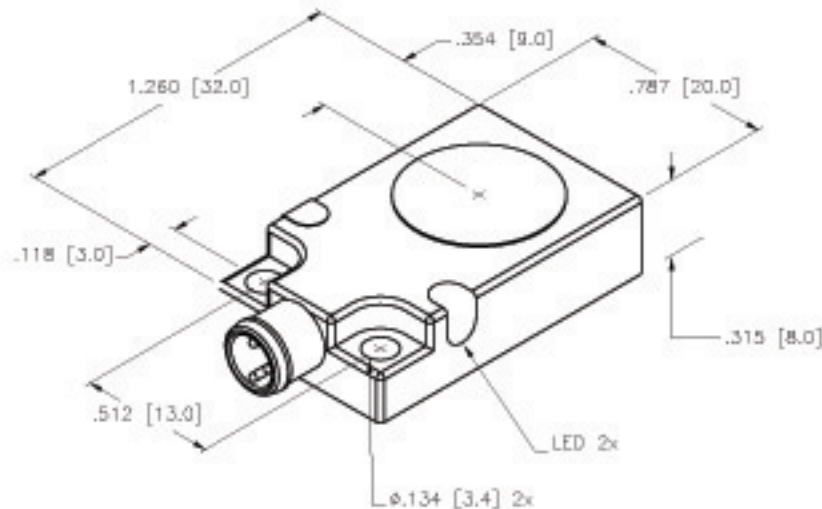
Voltage	Switching Freq. (Hz)	Operating Current (mA)	Operating Temp. (°C)	Protection	Housing	Front Cap/Face	Power LED	Output LED	Mating Cord, Cable Length/Jacket	Wiring Diagram #	Wiring Diagrams
10-65 VDC	50	≤100	-25 to +70	IP 67	Zinc	PA 12	N/A	YE	PKG 3Z-*	1	<p>Diagram 1</p>
10-30 VDC	1000	≤200	-30 to +85	IP 67	Zinc	PA 12	GN	YE	PKG 3Z-*	2	<p>Diagram 2</p>
	1000	≤200	-25 to +70	IP 67	Zinc	PA 12	GN	YE	PKG 3Z-*	2	
	300	≤100	-25 to +70	IP 67	Zinc	PA 12	GN	YE	PKG 3Z-*	2	
	500	≤200	-25 to +70	IP 67	Zinc	PA 12	GN	YE	PKG 3Z-*	2	
	1000	≤200	-30 to +85	IP 67	Zinc	PA 12	GN	YE	PKG 3Z-*	2	
10-30 VDC	1000	≤200	-30 to +85	IP 67	Zinc	PA 12	GN	YE	PKG 3Z-*	3	<p>Diagram 3</p>
	1000	≤200	-25 to +70	IP 67	Zinc	PA 12	GN	YE	PKG 3Z-*	3	
	300	≤100	-25 to +70	IP 67	Zinc	PA 12	GN	YE	PKG 3Z-*	3	
	500	≤200	-25 to +70	IP 67	Zinc	PA 12	GN	YE	PKG 3Z-*	3	
	1000	≤200	-30 to +85	IP 67	Zinc	PA 12	GN	YE	PKG 3Z-*	3	
10-30 VDC	1000	≤200	-25 to +70	IP 67	Zinc	PA 12	GN	YE	PKG 4Z-*	4	<p>Diagram 4</p>
	500	≤200	-25 to +70	IP 67	Zinc	PA 12	GN	YE	PKG 4Z-*	4	
10-30 VDC	1000	≤200	-25 to +70	IP 67	Zinc	PA 12	GN	YE	PKG 4Z-*	5	<p>Diagram 5</p>
	500	≤200	-25 to +70	IP 67	Zinc	PA 12	GN	YE	PKG 4Z-*	5	

WIRING DIAGRAM



OUTPUT: AN6X2

SHORT-CIRCUIT AND OVERLOAD PROTECTED



SPECIFICATIONS

OPERATING VOLTAGE	10-30 VDC
RIPPLE	≤10%
DIFFERENTIAL TRAVEL (HYSTERESIS)	3-15% (5% TYPICAL)
VOLTAGE DROP ACROSS CONDUCTING SENSOR	≤1.8 V at 100 mA
OUTPUT FUNCTION	NORMALLY OPEN 3-WIRE DC SELF-CONTAINED
TTL COMPATIBLE	NO
SHORT-CIRCUIT PROTECTED	YES
TRIGGER CURRENT FOR OVERLOAD PROTECTION	≥150 mA
CONTINUOUS LOAD CURRENT	≤100 mA
OFF-STATE (LEAKAGE) CURRENT	<10µ A
NO-LOAD CURRENT	5.5-9.5 mA
TIME DELAY BEFORE AVAILABILITY	≤8 ms
POWER-ON EFFECT PROTECTION	INCORPORATED
REVERSE POLARITY PROTECTION	INCORPORATED
WIRE-BREAK PROTECTION	INCORPORATED
PROTECTION AGAINST TRANSIENTS	2 kV, 1 ms, 1 kΩ
OPERATING TEMPERATURE	-25°C to +70°C (-13°F to +158°F)
ENCLOSURE	MEETS NEMA 1, 3, 4, 6, 13 AND IEC IP67
SHOCK	30 g, 11 ms
VIBRATION	55 Hz, 1 mm AMPLITUDE (IN ALL 3 PLANES)
LED FUNCTION	GREEN: POWER ON YELLOW: OUTPUT ENERGIZED
SENSING RANGE	5 mm = .197" (NOMINAL)
SWITCHING FREQUENCY	1000 Hz
REPEATABILITY	≤2% of RATED OPERATING DISTANCE
MATING PLUGS/CABLES	3-PIN "PICOFAST" CONSTRUCTION

RELATED DOCUMENTS 1. 2. 3. 4.	3RD ANGLE PROJECTION 	THIS DRAWING IS PROPERTY OF TURCK INC. USE OF THIS DOCUMENT WITHOUT WRITTEN PERMISSION IS PROHIBITED.		TURCK INC High Technology Sensors and Automation Controls	
	MATERIAL DIE CAST ZINC	TOLERANCES UNLESS OTHERWISE SPECIFIED .X ±0.02 .XX ±0.01 .XXX ±0.005 ANGLES ±1° ALL MILLIMETER DIMENSIONS ARE REFERENCE ONLY	DFT GMB DATE 11/2/89	DESCRIPTION Bi5-Q08-AN6X2-V1131	IDENTIFICATION NO. S1600600
FINISH		DSGN AF SCALE 1=.7	UNIT OF MEASUREMENT INCH [MILLIMETER]		
C UPDATE TO CURRENT SENSOR DRAWING RDS 08/21/07 1B719	BY DATE EDD NO.	DO NOT SCALE THIS DRAWING		FILE: S1600600	SHEET 1 OF 1