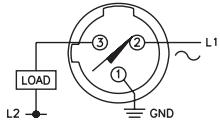


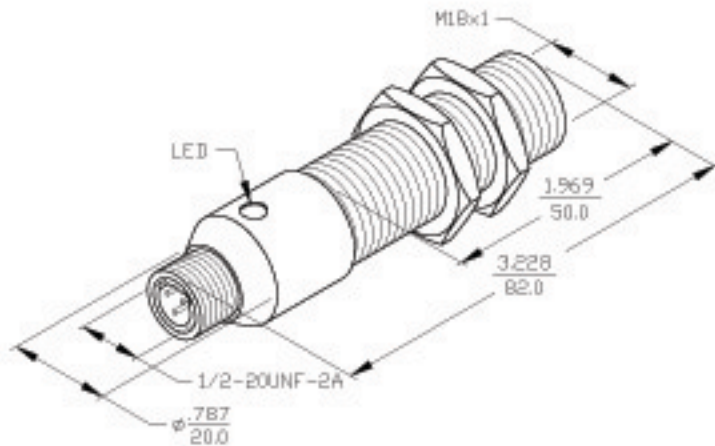
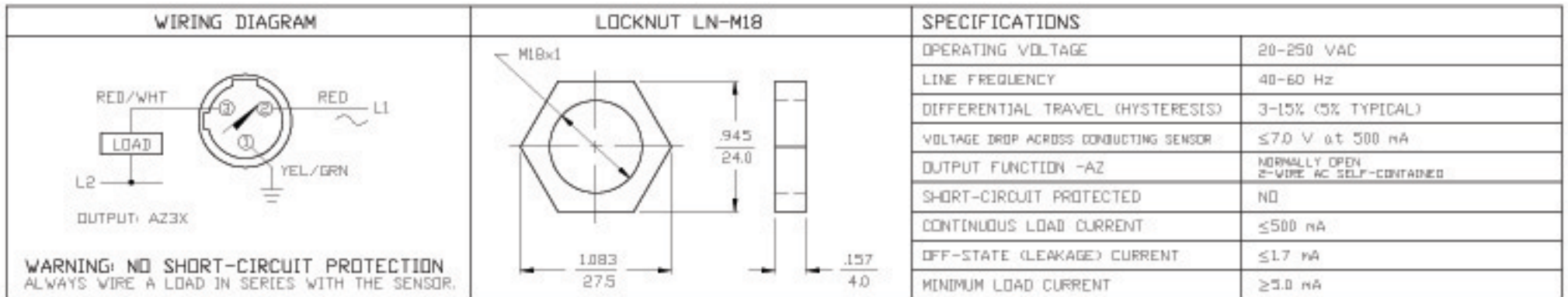
# Inductive Sensors

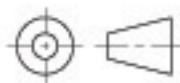


Housing Style	Part Number	ID Number	Features	Sensing Range (mm)	Output
<b>18 mm - Embeddable, <i>microfast</i>® Connection</b> 	Bi 5U-G18-ADZ30X2-B3331	M4281213	<i>Uprox</i>	5	2-Wire AC/DC Short-Circuit Protected
	Bi 5-G18-ADZ30X2-B3331	T4208092		5	
	Bi 8-G18-ADZ30X2-B3331	T4209301	<i>Ext. Range</i>	8	
<b>18 mm - Embeddable, <i>microfast</i> Connection, Teflon Coated</b> 	Bi 5-GT18-ADZ30X2-B3331	T4255491		5	2-Wire AC/DC Short-Circuit Protected
	Bi 5-GT18-ADZ30X2-B3331/S34	T4255400	<i>WFI</i>	5	
	Bi 5-GT18H-ADZ30X2-B3331/S34	T4255289	<i>WFI</i>	5	
	Bi 5-GT18H-ADZ30X2-B3331/S34/S1589	T4255283	<i>weldguard</i> ®	5	
	Bi 5U-GT18-ADZ30X2-B3331	M4281223	<i>Uprox</i>	5	
<b>18 mm - Embeddable, <i>microfast</i> Connection</b> 	Bi 5-G18-AZ3X-B3331	T4372098		5	2-Wire AC/DC

Output	Switching Freq. (Hz)	Operating Current (mA) VAC/VDC	Operating Temp. (°C)	Protection	Housing	Face	Power LED	Output LED	Mating Cordset	Wiring Diagram #	Wiring Diagrams
20-250 VAC 10-300 VDC	20	≤400/300	-30 to +85	IP 67	CPB	PA 12	GN	YE	KB 3T-*	1	<p><b>Diagram 1</b></p> 
	20	≤400/300	-25 to +70	IP 67	CPB	PA 12	GN	RD	KB 3T-*	1	
	20	≤400/300	-25 to +70	IP 67	SS	PA 12	GN	RD	KB 3T-*	1	
20-250 VAC 10-300 VDC	20	≤400/300	-25 to +70	IP 67	TC	TC	GN	RD	KB 3T-*	1	
	20	≤400/300	-25 to +70	IP 67	TC	TC	GN	RD	KB 3T-*	1	
	20	≤400/300	-25 to +70	IP 67	TC	SF	GN	RD	KB 3T-*	1	
	20	≤400/300	-25 to +70	IP 67	TC	WG	GN	RD	KBE 3T-*	1	
	20	≤400/300	-30 to +85	IP 67	TC	TC	GN	YE	KB 3T-*		
20-250 VAC 10-300 VDC	20	≤400/300	-25 to +70	IP 67	CPB	PA 12	N/A	RD	KB 3T-*	1	

\* Length in meters.



MATERIAL <b>BRASS BARREL</b>		3RD ANGLE PROJECTION			<b>TURKON Inc</b>
FINISH COPPER, NICKEL, CHROME PLATING					
DRWN GMB	DATE 5/26/89	PART NO.		B15-G18-AZ3X-B3331	
D-KD	DATE	SIZE B	ID NO.	4372098	REV A
DIMENSIONS ARE IN INCHES mm		SCALE NONE	BMQD-A\4372098	SHEET OF	

REV	DESCRIPTION	DRFT	DATE	CHKD
A	SEE REVISION DOCUMENT G18-AZB3	RJP	4/6/92	
REVISIONS				