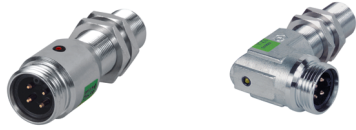


# Inductive Sensors

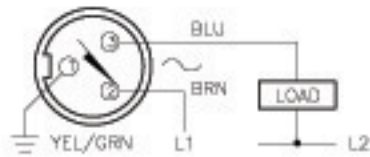


Housing Style	Part Number	ID Number	Features	Sensing Range (mm)	Output
<b>18 mm - Embeddable, minifast® Connection</b> 	Bi 5-G18-AN6X-B1341	T4695200		5	3-Wire DC NPN
	Bi 5-G18-AP6X-B1341	T4696300		5	3-Wire DC PNP
	Bi 5-G18-AP6X-B1341/S34	M4691800	WFI	5	
<b>18 mm - Embeddable, Right Angle, minifast Connection</b> 	Bi 5-G18-AN6X-B1441	T4695600		5	3-Wire DC NPN
	Bi 5-G18-AP6X-B1441	T4696700		5	3-Wire DC PNP
	Bi 5-G18-AP6X-B1441/S34	M4691900	WFI	5	
<b>18 mm - Embeddable, minifast Connection</b> 	Bi 5-G18-ADZ30X2-B1331	T4208000		5	2-Wire AC/DC Short-Circuit Protected
	Bi 5U-G18-ADZ30X2-B1331	M4281212	Uprox	5	
	Bi 5-G18-AZ3X-B1331	T4372000		5	2-Wire AC/DC
<b>18 mm - Embeddable, minifast Connection, Teflon Coated</b> 	Bi 5-GT18-ADZ30X2-B1331	T4255290		5	2-Wire AC/DC Short-Circuit Protected
	Bi 5-GT18-ADZ30X2-B1331/S34	T4255200	WFI	5	
	Bi 5-GT18H-ADZ30X2-B1331/S34/S1589	T4255284	weldguard®, WFI	5	
	Bi 5U-GT18-ADZ30X2-B1331	M4281222	Uprox	5	

Output	Switching Freq. (Hz)	Operating Current (mA) VAC/VDC	Operating Temp. (°C)	Protection	Housing	Face	Power LED	Output LED	Mating Cordset	Wiring Diagram #	Wiring Diagrams
10-30 VDC	1000	≤200	-25 to +70	IP 67	CPB	PA 12	N/A	YE	RKM 40-*M	1	<b>Diagram 1</b> 
	1000	≤200	-25 to +70	IP 67	CPB	PA 12	N/A	YE	RKM 40-*M	2	
10-30 VDC	1000	≤200	-25 to +70	IP 67	CPB	PA 12	N/A	YE	RKM 40-*M	2	<b>Diagram 2</b> 
	1000	≤200	-25 to +70	IP 67	CPB	PA 12	N/A	YE	RKM 40-*M	2	
10-30 VDC	1000	≤200	-25 to +70	IP 67	CPB	PA 12	N/A	YE	RKM 40-*M	1	<b>Diagram 3</b> 
10-30 VDC	1000	≤200	-25 to +70	IP 67	CPB	PA 12	N/A	YE	RKM 40-*M	2	
20-250 VAC 10-300 VDC	20	≤400/300	-25 to +70	IP 67	CPB	PA 12	GN	RD	RKM 30-*M	3	<b>Diagram 3</b> 
	20	≤400/300	-30 to +85	IP 67	CPB	PA 12	GN	YE	RKM 30-*M	3	
20-250 VAC 10-300 VDC	20	≤400/300	-25 to +70	IP 67	CPB	PA 12	N/A	RD	RKM 30-*M	3	<b>Diagram 3</b> 
20-250 VAC 10-300 VDC	20	≤400/300	-25 to +70	IP 67	TC	TC	GN	RD	RKM 30-*M	3	
20-250 VAC 10-300 VDC	20	≤400/300	-25 to +70	IP 67	TC	TC	GN	RD	RKM 30-*M	3	<b>Diagram 3</b> 
	20	≤400/300	-25 to +70	IP 67	TC	TC	GN	RD	RKM 30-*M	3	
	20	≤400/300	-25 to +70	IP 67	TC	WG	GN	RD	RKM 30-*M	3	
	20	≤400/300	-30 to +85	IP 67	TC	TC	GN	YE	RKM 30-*M	3	

\* Length in meters.

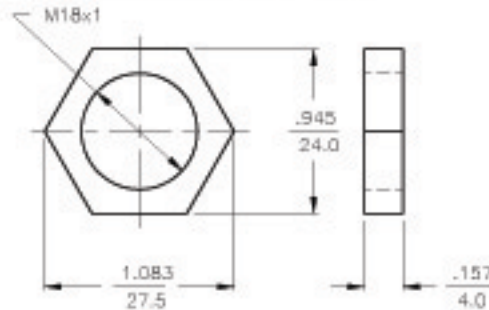
### WIRING DIAGRAM



OUTPUT: ADZ3DX2

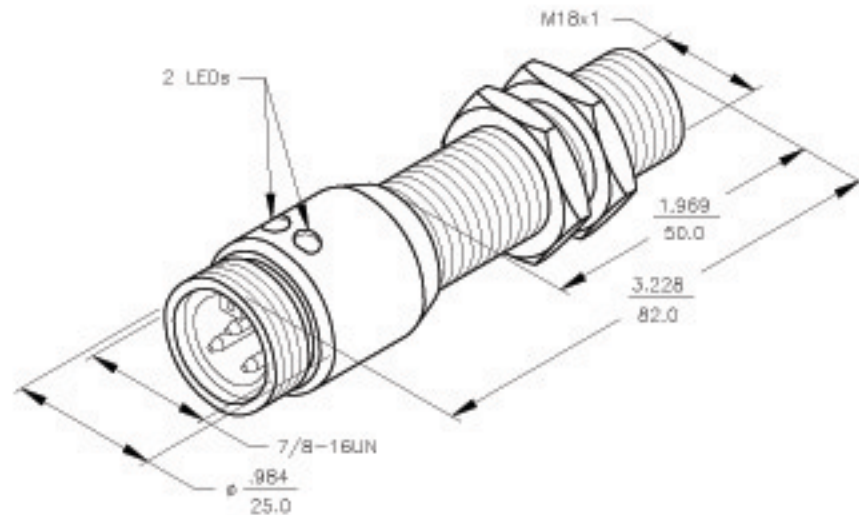
SHORT-CIRCUIT AND OVERLOAD PROTECTED

### LOCKNUT LN-M18



### SPECIFICATIONS

OPERATING VOLTAGE	20-250 V AC 20-320 V DC (SHORT-CIRCUIT PROTECTED)
LINE FREQUENCY	40-60 Hz
HYSTERESIS (DIFFERENTIAL TRAVEL)	3-15% (5% TYPICAL)
VOLTAGE DROP ACROSS CONDUCTING SENSOR	≤ 6.0 V at 400 mA
OUTPUT FUNCTION	NORMALLY OPEN 2-WIRE AC/DC SELF-CONTAINED
SHORT-CIRCUIT PROTECTED	YES
TRIGGER CURRENT FOR OVERLOAD PROTECTION	≥ 500 mA
CONTINUOUS LOAD CURRENT	≤ 400 mA
LEAKAGE (OFF-STATE) CURRENT	≤ 1.7 mA
MINIMUM LOAD CURRENT	≥ 3.0 mA
INRUSH CURRENT	≤ 3.0 A (≤ 20 ms/5 Hz)
TIME DELAY BEFORE AVAILABILITY	≤ 15 ms
POWER-ON EFFECT PROTECTION	INCORPORATED
PROTECTION AGAINST TRANSIENTS	5 kV, 10 ms, 10 kΩ
OPERATING TEMPERATURE	-25°C to +70°C (-13°F to +158°F)
ENCLOSURE	MEETS NEMA 1, 3, 4, 6, 13 AND IEC IP67
SHOCK	30 g, 11 ms
VIBRATION	55 Hz, 1 mm AMPLITUDE (IN ALL 3 PLANES)
LED FUNCTION	GREEN = POWER ON GREEN FLASHING = SHORT-CIRCUIT WARNING RED = OUTPUT ENERGIZED
SENSING RANGE	5 mm = .196" (NOMINAL)
SWITCHING FREQUENCY	150 Hz
REPEATABILITY	≤ 2%
SHIELDED	YES



RELATED DOCUMENTS 1. 2. 3. 4.	3RD ANGLE PROJECTION 	THIS DRAWING IS PROPERTY OF TURCK INC. USE OF THIS DOCUMENT WITHOUT WRITTEN PERMISSION IS PROHIBITED.		 High Technology Sensors and Automation Controls	
	MATERIAL BRASS BARREL	TOLERANCES UNLESS OTHERWISE SPECIFIED .X ±0.02 .XX ±0.01 .XXX ±0.005 ANGLES ±1° ALL MILLIMETER DIMENSIONS ARE REFERENCE ONLY	DRFT SNW		
FINISH COPPER, NICKEL, CHROME PLATING		USDR	SCALE NONE	UNIT OF MEASUREMENT <b>INCH [ MILLIMETER ]</b>	IDENTIFICATION NO. T4208000
C UPDATE TO CURRENT TITLE BLOCK	RDS 01/21/03	10104		DO NOT SCALE THIS DRAWING	REV C
REV DESCRIPTION	BY	DATE	EDD NO.	FILE: T4208000	SHEET 1 OF 1