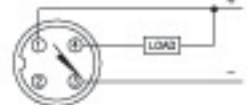
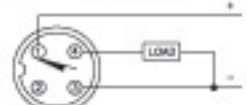


Inductive Cylinder Position Sensors



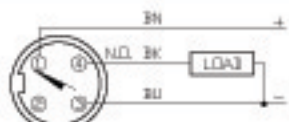
Housing Style	Part Number	ID Number	Features	Sensing Range (mm)	Output
CRS - eurofast® Connector 	Bi 2-CRS232-AN4X2-H1141/S34	T4570493	WFI	2	3-Wire DC NPN
	Bi 2-CRS260-AN4X2-H1141/S34	T4580004	WFI	2	
	Bi 2-CRS287-AN4X2-H1141/S34		WFI	2	
	Bi 2-CRS317-AN4X2-H1141/S34	T4580093	WFI	2	
	Bi 2-CRS343-AN4X2-H1141/S34	T4571890	WFI	2	
	Bi 2-CRS476-AN4X2-H1141/S34	T4568092	WFI	2	
	Bi 2-CRS524-AN4X2-H1141/S34	T4568096	WFI	2	
	Bi 2-CRS603-AN4X2-H1141/S34	T4580097	WFI	2	
	Bi 2-CRS705-AN4X2-H1141/S34		WFI	2	
	Bi 2-CRS730-AN4X2-H1141/S34	T4580088	WFI	2	
	Bi 2-CRS959-AN4X2-H1141/S34	T4571892	WFI	2	
	Bi 2-CRS1159-AN4X2-H1141/S34		WFI	2	
	Bi 2-CRS232-AP4X2-H1141/S34	T4570492	WFI	2	3-Wire DC PNP
	Bi 2-CRS260-AP4X2-H1141/S34	T4570890	WFI	2	
	Bi 2-CRS287-AP4X2-H1141/S34	T4571290	WFI	2	
	Bi 2-CRS317-AP4X2-H1141/S34	T4571690	WFI	2	
	Bi 2-CRS343-AP4X2-H1141/S34	T4571800	WFI	2	
	Bi 2-CRS476-AP4X2-H1141/S34	T4580091	WFI	2	
	Bi 2-CRS524-AP4X2-H1141/S34	T4580090	WFI	2	
	Bi 2-CRS603-AP4X2-H1141/S34	T4580096	WFI	2	
	Bi 2-CRS705-AP4X2-H1141/S34	T4580089	WFI	2	
	Bi 2-CRS730-AP4X2-H1141/S34	T4580003	WFI	2	
	Bi 2-CRS959-AP4X2-H1141/S34	T4571891	WFI	2	
	Bi 2-CRS1159-AP4X2-H1141/S34	T4570899	WFI	2	

Bi 2-CRS-XXXX-.. = Length of probe in mm.

Voltage	Switching Freq. (Hz)	Operating Current (mA) VAC/VDC	Operating Temp. (°C)	Protection	Housing	Probe	Power LED	Output LED	Mating Cord, Cable Length Jacket	Wiring Diagram #	Wiring Diagrams
10-65 VDC	30	≤200	-25 to +70	IP 67	Zinc	CPB	CN	YE	RK 4T-*	1	<p>Diagram 1</p>  <p>Diagram 2</p> 
	30	≤200	-25 to +70	IP 67	Zinc	CPB	CN	YE	RK 4T-*	1	
	30	≤200	-25 to +70	IP 67	Zinc	CPB	CN	YE	RK 4T-*	1	
	30	≤200	-25 to +70	IP 67	Zinc	CPB	CN	YE	RK 4T-*	1	
	30	≤200	-25 to +70	IP 67	Zinc	CPB	CN	YE	RK 4T-*	1	
	30	≤200	-25 to +70	IP 67	Zinc	CPB	CN	YE	RK 4T-*	1	
	30	≤200	-25 to +70	IP 67	Zinc	CPB	CN	YE	RK 4T-*	1	
	30	≤200	-25 to +70	IP 67	Zinc	CPB	CN	YE	RK 4T-*	1	
	30	≤200	-25 to +70	IP 67	Zinc	CPB	CN	YE	RK 4T-*	1	
	30	≤200	-25 to +70	IP 67	Zinc	CPB	CN	YE	RK 4T-*	1	
	30	≤200	-25 to +70	IP 67	Zinc	CPB	CN	YE	RK 4T-*	1	
	30	≤200	-25 to +70	IP 67	Zinc	CPB	CN	YE	RK 4T-*	1	
10-65 VDC	30	≤200	-25 to +70	IP 67	Zinc	CPB	CN	YE	RK 4T-*	2	
	30	≤200	-25 to +70	IP 67	Zinc	CPB	CN	YE	RK 4T-*	2	
	30	≤200	-25 to +70	IP 67	Zinc	CPB	CN	YE	RK 4T-*	2	
	30	≤200	-25 to +70	IP 67	Zinc	CPB	CN	YE	RK 4T-*	2	
	30	≤200	-25 to +70	IP 67	Zinc	CPB	CN	YE	RK 4T-*	2	
	30	≤200	-25 to +70	IP 67	Zinc	CPB	CN	YE	RK 4T-*	2	
	30	≤200	-25 to +70	IP 67	Zinc	CPB	CN	YE	RK 4T-*	2	
	30	≤200	-25 to +70	IP 67	Zinc	CPB	CN	YE	RK 4T-*	2	
	30	≤200	-25 to +70	IP 67	Zinc	CPB	CN	YE	RK 4T-*	2	
	30	≤200	-25 to +70	IP 67	Zinc	CPB	CN	YE	RK 4T-*	2	
	30	≤200	-25 to +70	IP 67	Zinc	CPB	CN	YE	RK 4T-*	2	
	30	≤200	-25 to +70	IP 67	Zinc	CPB	CN	YE	RK 4T-*	2	

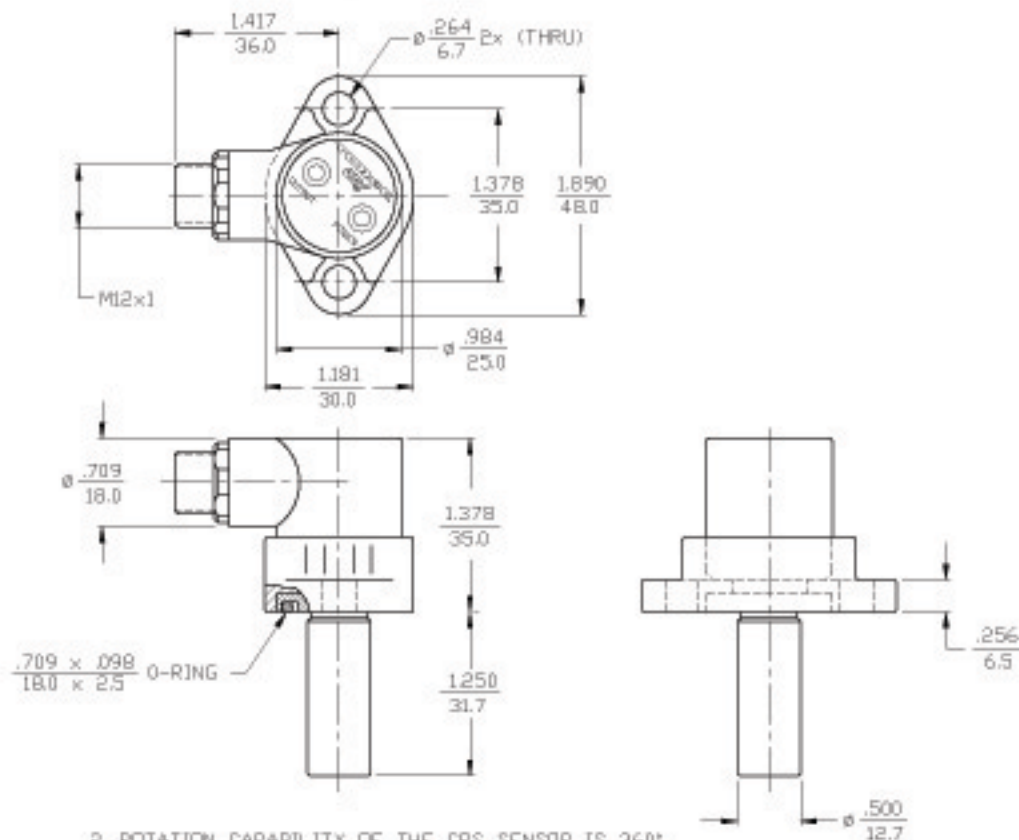
* Length in meters.

WIRING DIAGRAMS



OUTPUT: AP4X2

SHORT-CIRCUIT AND OVERLOAD PROTECTED



2. ROTATION CAPABILITY OF THE CRS SENSOR IS 360°.

NOTES: 1. *S34* DESIGNATES WELD FIELD IMMUNITY. SENSOR IS SUITABLE FOR USE IN RESISTANCE WELDING MACHINES.

SPECIFICATIONS

OPERATING VOLTAGE	10-65 V DC (SHORT-CIRCUIT PROTECTED)
RIPPLE	≤10%
HYSTERESIS (DIFFERENTIAL TRAVEL)	3-15% (5% TYPICAL)
VOLTAGE DROP ACROSS CONDUCTING SENSOR	2.0 V at 200 mA (1.3 V TYPICAL)
OUTPUT FUNCTION	NORMALLY OPEN 3-WIRE DC SELF-CONTAINED
TTL COMPATIBLE	NO
SHORT-CIRCUIT PROTECTED	YES
TRIGGER CURRENT FOR OVERLOAD PROTECTION	250-350 mA
CONTINUOUS LOAD CURRENT	≤200 mA
LEAKAGE CURRENT	<10 μA
NO-LOAD CURRENT	75 mA TYP (24 V DC) 14.8 mA TYP (65 V DC)
POWER-ON EFFECT PROTECTION	INCORPORATED
POLARITY INVERSION PROTECTION	INCORPORATED
WIRE BREAK PROTECTION	INCORPORATED
PROTECTION AGAINST TRANSIENTS	<2 kV <1 ns <1 J
OPERATING TEMPERATURE	-25°C to +75°C (-13°F to +167°F)
ENCLOSURE	MEETS NEMA 1, 3, 4, 6, 13 AND IEC IP67
SHOCK	≤30 g, 11 ms
VIBRATION	10 Hz to 55 Hz, 51 mm AMPLITUDE (IN ALL 3 PLANES)
LED FUNCTION	YELLOW: OUTPUT ENERGIZED GREEN: POWER ON
RATED OPERATING DISTANCE(S _{RI})	2 mm = .079" (NOMINAL)
SWITCHING FREQUENCY	30 Hz (APPROX.)
REPEATABILITY	<1%
OPERATING PRESSURE	1500 PSI (MAX. APPLIED 3000 PSI)
RESPONSE TIME	15 ns MAX.
SHIELDED	YES
COLOR CODE	WHITE
MATING PLUGS/CABLES	4-PIN "EUROFAST" CONSTRUCTION

MATERIAL	3RD ANGLE PROJECTION	TURKON Inc
FINISH		
DRFT GMB	DATE 6/9/89	PART NO./DESCR.
OSON	YJ	BI 2-CRS317-AP4X2-H1141/S34
THI	SCALE B	ID NO. T4571690
DIVISION UNITS: INCHES [MILLIMETERS]	SCALE NONE	T4571690
REV B	DESCRIPTION REMOVE TABULATION	SHEET 1 OF 1

REV B	DESCRIPTION REMOVE TABULATION	CBM 8/27/D1	T4773
REV	DESCRIPTION	DRFT DATE	ECD NO.
REVISIONS			