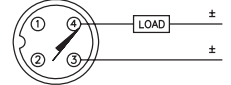
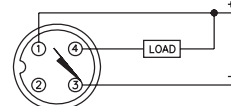
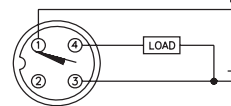
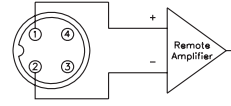


Inductive Sensors

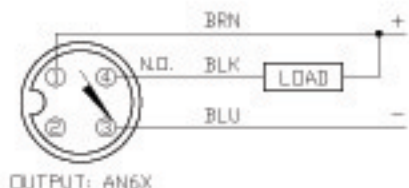


Housing Style	Part Number	ID Number	Features	Embeddable	Sensing Range (mm)	Output	
12 mm - Embeddable/Nonembeddable, Plastic, eurofast® Quick Disconnect 	Bi 3-P12WD-AN6X-H1141	M4605143	Washdown	•	3	3-Wire DC NPN	
	Ni 5-P12WD-AN6X-H1141	M4653713	Washdown		5		
	Bi 3-P12WD-AP6X-H1141	M4605142	Washdown	•	3	3-Wire DC PNP	
	Ni 5-P12WD-AP6X-H1141	M4653712	Washdown		5		
	12 mm - Embeddable/Nonembeddable, Plastic, eurofast Quick Disconnect 	Bi 2-S12-AD4X-H1141	T4453094		•	2	2-Wire DC
		Bi 2-S12-AN6X-H1141	T4652100		•	2	3-Wire DC NPN
Bi 3U-S12-AN6X-H1141		M1634620	Uprox	•	3		
Ni 4-S12-AN6X-H1141		T4652300			4		
Ni 8U-S12-AN6X-H1141		M1644620	Uprox		8	3-Wire DC PNP	
Bi 2-S12-AP6X-H1141		T4652000		•	2		
Bi 3U-S12-AP6X-H1141		M1634600	Uprox	•	3		
Ni 4-S12-AP6X-H1141		T4652200			4	2-Wire DC NAMUR	
Ni 8U-S12-AP6X-H1141		M1644600	Uprox		8		
Bi 2-S12-Y0X-H1141		T4030090			•	2	2-Wire DC NAMUR
Ni 5-S12-Y0X-H1141	T4030300				5		

Voltage	Switching Freq. (Hz)	Operating Current (mA)	Operating Temp. (°C)	Protection	Housing	Face	Power LED	Output LED	Mating Cordset	Wiring Diagram #	Wiring Diagrams
10-30 VDC	2000	≤200	-10 to +85	IP 68, 69K	PA 12	PA 12	N/A	YE	RK 4T-*	2	<p>Diagram 1</p>  <p>Diagram 2</p>  <p>Diagram 3</p>  <p>Diagram 4</p> 
	2000	≤200	-10 to +85	IP 68, 69K	PA 12	PA 12	N/A	YE	RK 4T-*	2	
10-30 VDC	2000	≤200	-10 to +85	IP 68, 69K	PA 12	PA 12	N/A	YE	RK 4T-*	3	
	2000	≤200	-10 to +85	IP 68, 69K	PA 12	PA 12	N/A	YE	RK 4T-*	3	
10-65 VDC	1000	≤100	-25 to +70	IP 67	PA 12	PA 12	N/A	YE	RKK 4.2T-*	1	
10-30 VDC	2000	≤200	-25 to +70	IP 67	PA 12	PA 12	N/A	YE	RKK 4T-*	2	
	3000	≤200	-30 to +85	IP 68	PBT	PBT	N/A	YE	RKK 4T-*	2	
	2000	≤200	-25 to +70	IP 67	PA 12	PA 12	N/A	YE	RKK 4T-*	2	
	2000	≤200	-30 to +85	IP 68	PBT	PBT	N/A	YE	RKK 4T-*	2	
10-30 VDC	2000	≤200	-25 to +70	IP 67	PA 12	PA 12	N/A	YE	RKK 4T-*	3	
	3000	≤200	-30 to +85	IP 68	PBT	PBT	N/A	YE	RKK 4T-*	3	
	2000	≤200	-25 to +70	IP 67	PA 12	PA 12	N/A	YE	RKK 4T-*	3	
	2000	≤200	-30 to +85	IP 68	PBT	PBT	N/A	YE	RKK 4T-*	3	
5-30 VDC	5000	Remote	-25 to +70	IP 67	PA	PA	N/A	YE	RKK 4T-*	4	
	2000	Remote	-25 to +70	IP 67	PA	PA	N/A	YE	RKK 4T-*	4	

* Length in meters.

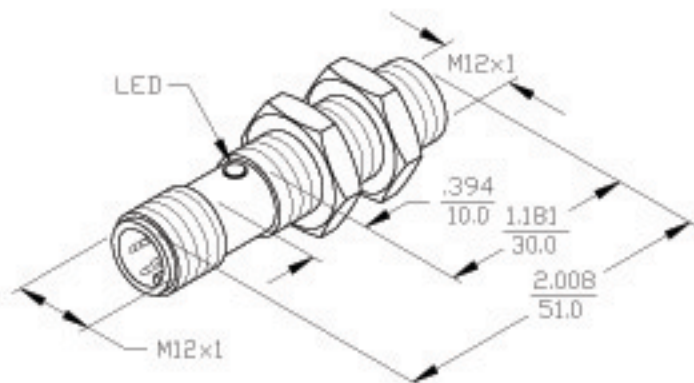
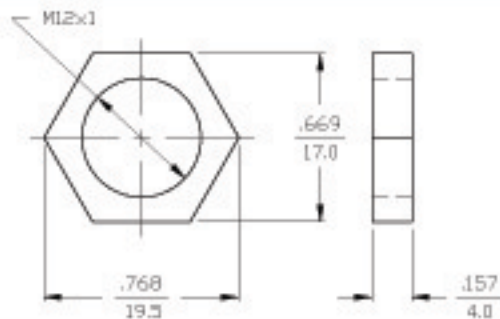
WIRING DIAGRAMS



OUTPUT: AN6X

SHORT-CIRCUIT AND OVERLOAD PROTECTED

LOCKNUT LN-P12



SPECIFICATIONS

OPERATING VOLTAGE	10-30 VDC (SHORT-CIRCUIT PROTECTED)
RIPPLE	≤10%
HYSTERESIS (DIFFERENTIAL TRAVEL)	3-15% (5% TYPICAL)
VOLTAGE DROP ACROSS CONDUCTING SENSOR	≤1.8 V at 200 mA
OUTPUT FUNCTION	NORMALLY OPEN 3-WIRE DC SELF-CONTAINED
TTL COMPATIBLE	NO
SHORT-CIRCUIT PROTECTED	YES
TRIGGER CURRENT FOR OVERLOAD PROTECTION	≥220 mA
CONTINUOUS LOAD CURRENT	≤200 mA
LEAKAGE (OFF-STATE) CURRENT	<10 μA
NO-LOAD CURRENT	5.5-9.5 mA
TIME DELAY BEFORE AVAILABILITY	≤8 ms
POWER-ON EFFECT PROTECTION	INCORPORATED
POLARITY INVERSION PROTECTION	INCORPORATED
WIRE-BREAK PROTECTION	INCORPORATED
PROTECTION AGAINST TRANSIENTS	2 kV, 1 ns, 1 kΩ
OPERATING TEMPERATURE	-25°C to +70°C (-13°F to +158°F)
ENCLOSURE	MEETS NEMA 1, 3, 4, 6, 13 AND IEC IP67
SHOCK	30 g, 11 ms
VIBRATION	55 Hz, 1 mm AMPLITUDE (ON ALL 3 PLANES)
LED FUNCTION	RED OUTPUT ENERGIZED
SENSING RANGE	2 mm = .079" (NOMINAL)
SWITCHING FREQUENCY	2000 Hz
REPEATABILITY	≤2%
SHIELDED	YES

MATERIAL PLASTIC BARREL		3RD ANGLE PROJECTION		TURKON Inc	
FINISH					
DRWN SMW	DATE 8/5/87	PART NO.		B12-S12-AN6X-H1141	
D-KD	DATE	SIZE B		ID NO.	4652100
THI		SCALE NONE		BMQD-D\4652100	SHEET ___ OF ___
DIMENSIONS ARE IN INCHES mm					

B	SEE REVISION DOCUMENT CP-S12	GWB	4/9/91	
REV	DESCRIPTION	DRFT	DATE	CHKD
				REVISIONS