

Inductive Sensors



Housing Style - Rectangular	Part Number	ID Number	Features	Embeddable	Sensing Range (mm)	Output
10 mm - Embeddable, Potted-In Cable 	Bi 2-Q10S-AN6X	S1619310		•	2	3-Wire DC NPN
	Bi 2-Q10S-AP6X	S1609360		•	2	3-Wire DC PNP
	Bi 2-Q10S-VN6X	S1609341	Comp. Outputs	•	2	4-Wire DC NPN
	Bi 2-Q10S-VP6X	S1609340	Comp. Outputs	•	2	4-Wire DC PNP
	Bi 2-Q10S-AZ31X	S1309100		•	2	2-Wire AC/DC
	Bi 2-Q10S-Y0X	S4012130		•	2	2-Wire NAMUR
	Bi 2-Q10S-Y1X	S4012130		•	2	
11 mm - Embeddable/Nonembeddable, Potted-In Cable 	Bi 2-Q11S-AD4X	M4405040		•	2	2-Wire DC
	Bi 2-Q11S-AN4X	M4550101		•	2	3-Wire DC NPN
	Bi 2-Q11S-AP4X	M4550100		•	2	3-Wire DC PNP
	Ni 4-Q11S-AP4X	M4550110			4	
Ni 4-Q11S-AZ31X	M4348000				4	2-Wire AC/DC

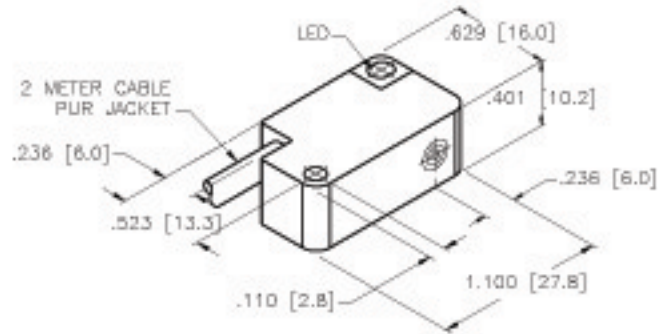
Voltage	Switching Freq. (Hz)	Operating Current (mA)	Operating Temp. (°C)	Protection	Housing	Face	Power LED	Output LED	Mating Cord, Cable Length/Jacket	Wiring Diagram #	Wiring Diagrams
10-30 VDC	2000	≤150	-25 to +70	IP 67	PA 12	PA 12	N/A	YE	2M/PVC	1	Diagram 1
10-30 VDC	2000	≤150	-25 to +70	IP 67	PA 12	PA 12	N/A	YE	2M/PVC	2	Diagram 2
10-30 VDC	2000	≤150	-25 to +70	IP 67	PA 12	PA 12	N/A	YE	2M/PVC	3	Diagram 3
10-30 VDC	2000	≤150	-25 to +70	IP 67	PA 12	PA 12	N/A	YE	2M/PVC	4	Diagram 3
20-250 VAC 10-300 VDC	20	≤100	-25 to +70	IP 67	PA 12	PA 12	N/A	RD	2M/PVC	5	Diagram 4
5-30 VDC	1000	Remote	-25 to +70	IP 67	PA 12	PA 12	N/A	YE	2M/PVC	6	Diagram 4
	1000	Remote	-25 to +70	IP 67	PA 12	PA 12	N/A	YE	2M/PVC	6	
10-65 VDC	2000	≤100	-25 to +70	IP 67	PBT	PBT	N/A	YE	2M/PVC	7	Diagram 5
10-65 VDC	2000	≤200	-25 to +70	IP 67	PBT	PBT	N/A	YE	2M/PVC	1	Diagram 6
10-65 VDC	2000	≤200	-25 to +70	IP 67	PBT	PBT	N/A	YE	2M/PVC	2	Diagram 6
	2000	≤200	-25 to +70	IP 67	PBT	PBT	N/A	YE	2M/PVC	2	
20-250 VAC 10-300 VDC	20	≤100	-25 to +70	IP 67	PBT	PBT	N/A	YE	2M/PVC	5	Diagram 7

WIRING DIAGRAM



OUTPUT: AN6X

SHORT-CIRCUIT AND OVERLOAD PROTECTED



SPECIFICATIONS

RATED OPERATING DISTANCE	2mm = .079" (NOMINAL)
MOUNTING MODE	FLUSH
TEMPERATURE DRIFT	≤ ±10%
HYSTERESIS (SWITCHING DISTANCE)	3-15%
MIN. REPEAT ACCURACY	≤ 2%
OPERATING TEMPERATURE	-25°C to +70°C (-13°F to +158°F)
RATED OPERATIONAL VOLTAGE	10-30 VDC
MAX. RIPPLE	≤ 10%
RATED OPERATIONAL CURRENT	≤ 150 mA
NO-LOAD CURRENT	≤ 15 mA
MAX. OFF-STATE CURRENT	≤ 0.1 mA
RATED INSULATION VOLTAGE	≤ 0.5 kV
SHORT-CIRCUIT PROTECTION	YES, CYCLIC
MAX. VOLTAGE DROP	≤ 1.8 V
WIRE BREAKAGE PROTECTION	INCORPORATED
REVERSE POLARITY PROTECTION	INCORPORATED
OUTPUT FUNCTION	3-WIRE, NORMALLY OPEN, NPN
MAX. SWITCHING FREQUENCY	≤ 2 kHz
HOUSING MATERIAL	PLASTIC, PA12-CF20
ACTIVE FACE	PLASTIC, PA12-GP20
CABLE	#3.0, LIBY-11Y, PUR, 2 METER LENGTH
VIBRATION RESISTANCE	55 Hz, 1 mm AMPITUDE (IN ALL 3 PLANES)
SHOCK RESISTANCE	30 g, 11 ms
DEGREE OF PROTECTION	IP67
SWITCHING STATUS INDICATION	LED, YELLOW

SOURCE DRAWING - FOR REFERENCE ONLY

RELATED DOCUMENTS 1. 2. 3. 4.	3RD ANGLE PROJECTION 	THIS DRAWING IS PROPERTY OF TURCK INC. USE OF THIS DOCUMENT WITHOUT WRITTEN PERMISSION IS PROHIBITED.		TURCK INC High Technology Sensors and Automation Controls	
	MATERIAL	TOLERANCES UNLESS OTHERWISE SPECIFIED .X ±0.02 .XX ±0.01 .XXX ±0.005 ANGLES ±1° ALL MILLIMETER DIMENSIONS ARE REFERENCE ONLY	DRFT RDS DATE 12/28/04		
FINISH		DSGN EH SCALE 1=1.0	UNIT OF MEASUREMENT INCH [MILLIMETER]		IDENTIFICATION NO. S1619310
B UPDATE CABLE SPECS	RDS	10/23/07	19207	REV	
REV DESCRIPTION	BY	DATE	EDD NO.	DO NOT SCALE THIS DRAWING	
				FILE: S1619310	SHEET 1 OF 1