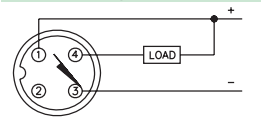
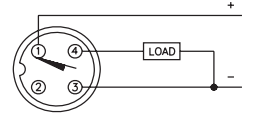


Inductive Sensors

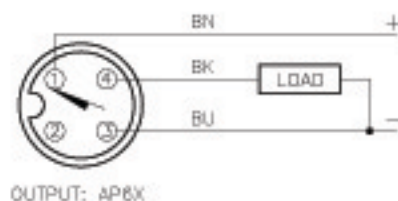


Housing Style	Part Number	ID Number	Features	Sensing Range (mm)	Output
8 mm - Embeddable, Miniature Threaded, eurofast® Quick Disconnect 	Bi 1.5-G08-AN6X-H1341	S4603700		1.5	3-Wire DC NPN
	Bi 1.5-G08-AN7X-H1341	S4701126	TTL Compatible	1.5	
	Bi 2-G08-AN6X-H1341	S4602600	Ext. Range	2	
	Bi 1.5-G08-AP6X-H1341	S4603600		1.5	3-Wire DC PNP
	Bi 2-G08-AP6X-H1341	S4602500	Ext. Range	2	

Voltage	Switching Freq. (Hz)	Operating Current (mA)	Operating Temp. (°C)	Protection	Housing	Face	Power LED	Output LED	Mating Cordset	Wiring Diagram #	Wiring Diagrams
10-30 VDC	3000	≤150	-25 to +70	IP 67	SS	PA 12	N/A	YE	RK 4T-*	1	<p>Diagram 1</p> 
	3000	≤150	-25 to +70	IP 67	SS	PA 12	N/A	YE	RK 4T-*	1	
	3000	≤150	-25 to +70	IP 67	SS	PA 12	N/A	YE	RK 4T-*	1	
10-30 VDC	3000	≤150	-25 to +70	IP 67	SS	PA 12	N/A	YE	RK 4T-*	2	<p>Diagram 2</p> 
	3000	≤150	-25 to +70	IP 67	SS	PA 12	N/A	YE	RK 4T-*	2	

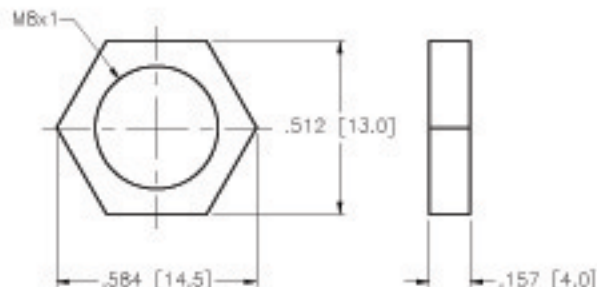
* Length in meters.

WIRING DIAGRAM



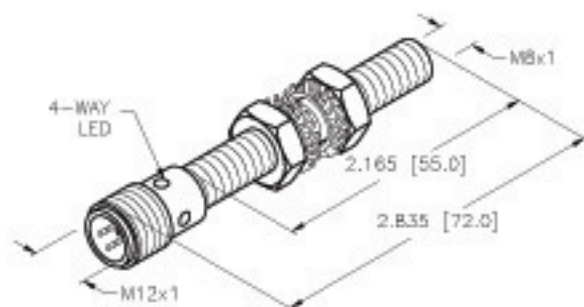
SHORT-CIRCUIT AND OVERLOAD PROTECTED

LOCKNUT LN-SS08



SPECIFICATIONS

OPERATING VOLTAGE	10-30 VDC
RIPPLE	≤10%
DIFFERENTIAL TRAVEL (HYSTERESIS)	1-15% (5% TYPICAL)
VOLTAGE DROP ACROSS CONDUCTING SENSOR	≤1.8 V at 150 mA
OUTPUT FUNCTION	NORMALLY OPEN 3-WIRE DC SELF-CONTAINED
TTL COMPATIBLE	NO
SHORT-CIRCUIT PROTECTED	YES
TRIGGER CURRENT FOR OVERLOAD PROTECTION	≥170 mA
CONTINUOUS LOAD CURRENT	≤150 mA
LEAKAGE (OFF-STATE) CURRENT	<10 μA
NO-LOAD CURRENT	5.5-9.5 mA
TIME DELAY BEFORE AVAILABILITY	≤8 ms
POWER-ON EFFECT PROTECTION	INCORPORATED
REVERSE POLARITY PROTECTION	INCORPORATED
WIRE-BREAK PROTECTION	INCORPORATED
PROTECTION AGAINST TRANSIENTS	1 kV, 0.1 ms, 1kΩ
OPERATING TEMPERATURE	-25°C to +70°C (-13°F to +158°F)
ENCLOSURE	MEETS NEMA 1, 3, 4, 6, 13 AND IEC IP67
SHOCK	30 g, 11 ms
VIBRATION	55 Hz, 1 mm AMPLITUDE (IN ALL 3 PLANES)
LED FUNCTION	YELLOW: OUTPUT ENERGIZED
RATED OPERATING DISTANCE(S _n)	2 mm = .079" (NOMINAL)
SWITCHING FREQUENCY	3000 Hz
REPEATABILITY	±2% OF RATED OPERATING DISTANCE
SHIELDED	YES
MATING PLUGS/CABLES	4-PIN "EUROFAST" CONSTRUCTION



SOURCE DRAWING - FOR REFERENCE ONLY

RELATED DOCUMENTS 1. 2. 3. 4.	3RD ANGLE PROJECTION 	THIS DRAWING IS PROPERTY OF TURCK INC. USE OF THIS DOCUMENT WITHOUT WRITTEN PERMISSION IS PROHIBITED.		 High Technology Sensors and Automation Controls	
	MATERIAL STAINLESS STEEL BARREL	TOLERANCES UNLESS OTHERWISE SPECIFIED .X ±0.02 .XX ±0.01 .XXX ±0.005 ANGLES ±1° ALL MILLIMETER DIMENSIONS ARE REFERENCE ONLY	DRFT GMB		
FINISH CHROME PLATED BRASS CONNECTOR	UNIT OF MEASUREMENT INCH [MILLIMETER]	USDR	SCALE 1=2.0	IDENTIFICATION NO. S4602500	REV D
DO NOT SCALE THIS DRAWING	FILE: S4602500	SHEET 1 OF 1			

0	UPDATE MATERIAL, NEW FORMAT	IK	08/16/00	T3880
REV	DESCRIPTION	BY	DATE	EDD NO.