

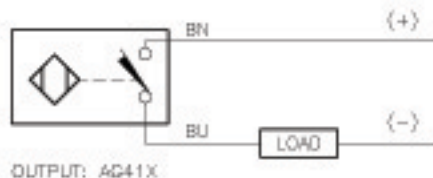
Inductive Sensors



Housing Style	Part Number	ID Number	Features	Sensing Range (mm)	Output
8 mm - Embeddable, Miniature Threaded Barrel, Potted-In Cable 	Bi 2-EG08-AG41X	S4562000		2	2-Wire DC
	Bi 2-EG08-AG41X/S1589	S4562088	weldguard	2	
	Bi 1.5-EG08-AN6X	S4602340		1.5	3-Wire DC NPN
	Bi 1.5U-EG08-AN6X	S4600510	Uprox	1.5	
	Bi 2-EG08-AN6X	S4602140	Ext. Range	2	
	Bi 2-EG08-AN6X/S1589	S4602181	weldguard	2	
	Bi 2U-EG08-AN6X	S4602035	Uprox	2	
	Bi 1.5-EG08-AN7X	S1766110	TTL Compatible	1.5	
	Bi 1.5-EG08-AP6X	S4602240		1.5	3-Wire DC PNP
	Bi 1.5U-EG08-AP6X	S4600500	Uprox	1.5	
	Bi 2-EG08-AP6X	S4602040	Ext. Range	2	
	Bi 2-EG08-AP6X/S100	S4602047	High Temp. 100°C	2	
	Bi 2-EG08-AP6X/S957	S4602008	Flush Mount	2	
	Bi 2-EG08-AP6X/S1589	S4602085	weldguard	2	
	Bi 2-EG08-AP6X/S1610	S4602086-1	armorguard	2	
	Bi 2U-EG08-AP6X	S4602032	Uprox	2	
	Bi 1.5-EG08-Y1	S1003500		1.5	2-Wire DC NAMUR
	Bi 2-EG08-AZ14X	S4100001		2	2-Wire AC/DC
Bi 2-EG08-VP6X	S1604610	Comp. Outputs	2	4-Wire DC PNP	
8 mm - Embeddable, Miniature Threaded Barrel, Potted-In Cable, Teflon Coated 	Bi 2-EGT08-AG41X	S4602540		2	2-Wire DC
	Bi 1.5-EGT08-AP/S100	S4602256	High Temp. 100°C	1.5	3-Wire DC PNP

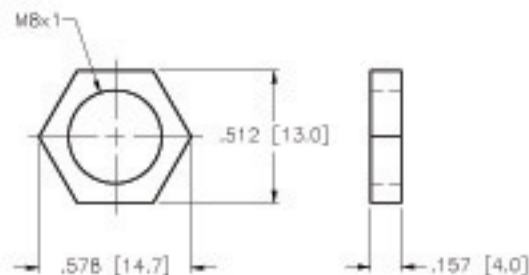
Voltage	Switching Freq. (Hz)	Operating Current (mA)	Operating Temp. (°C)	Protection	Housing	Face	End Cap	Power LED	Output LED	Cable Length/ Cable Mat.	Wiring Diagram #	Wiring Diagrams
10-55 VDC	1000	≤100	-25 to +70	IP 67	SS	PA 12	TROG	N/A	YE	2M/PUR	4	Diagram 1
	1000	≤100	-25 to +70	IP 67	SS	WG	TROG	N/A	YE	2M/PUR	4	
10-30 VDC	3000	≤150	-25 to +70	IP 67	SS	PA 12	TROG	N/A	YE	2M/PUR	1	Diagram 2
	2000	≤150	-30 to +85	IP 68	SS	PA 12	TROG	N/A	YE	2M/PUR	1	
	3000	≤150	-25 to +70	IP 67	SS	PA 12	TROG	N/A	YE	2M/PUR	1	
	3000	≤150	-25 to +70	IP 67	SS	WG	TROG	N/A	YE	2M/PUR	1	
	2000	≤150	-30 to +85	IP 68	SS	PA 12	TROG	N/A	YE	2M/PUR	1	
10-30 VDC	3000	≤150	-25 to +70	IP 67	SS	PA 12	TROG	N/A	YE	2M/PUR	2	Diagram 3
	2000	≤150	-30 to +85	IP 68	SS	PA 12	TROG	N/A	YE	2M/PUR	2	
	3000	≤150	-25 to +70	IP 67	SS	PA 12	TROG	N/A	YE	2M/PUR	2	
	3000	≤150	-25 to +100	IP 67	SS	PA 12	TROG	N/A	YE	2M/PUR	2	
	3000	≤150	-25 to +70	IP 67	SS	PA 12	TROG	N/A	YE	2M/PUR	2	
	3000	≤150	-25 to +70	IP 67	SS	WG	TROG	N/A	YE	2M/PUR	2	
	2000	≤150	-30 to +85	IP 68	SS	PA 12	TROG	N/A	YE	2M/PUR	2	
5-30 VDC	5000	Remote	-25 to +70	IP 67	SS	PA 12	TROG	N/A	N/A	2M/PUR	3	Diagram 4
20-132 VAC 10-140 VDC	20	≤100	-25 to +70	IP 67	SS	PA 12	TROG	N/A	YE	2M/PUR	5	Diagram 5
10-30 VDC	3000	≤150	-25 to +70	IP 67	SS	PA 12	TROG	N/A	YE	2M/PUR	6	Diagram 6
10-55 VDC	1000	≤100	-25 to +70	IP 67	TC	PA 12	TC	N/A	YE	2M/PUR	4	
10-30 VDC	2000	≤150	-25 to +100	IP 67	TC	PA 12	TC	N/A	YE	2M/PUR	2	

WIRING DIAGRAM



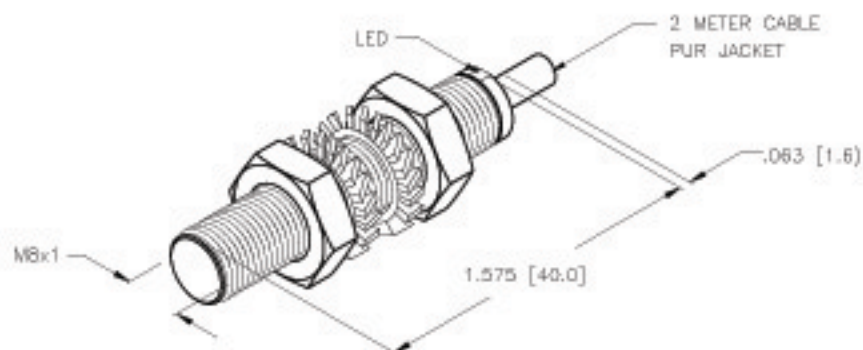
SHORT-CIRCUIT AND OVERLOAD PROTECTED

LOCKNUT LN-SS08



SPECIFICATIONS

RATED OPERATING DISTANCE(Sn)	2 mm = .079" (NOMINAL)
INSTALLING MODE	FLUSH
DIFFERENTIAL TRAVEL (HYSTERESIS)	1-15% (5% TYPICAL)
MIN. REPEAT ACCURACY	≤ 2%
TEMPERATURE DRIFT	≤ ± 10%
OPERATING TEMPERATURE	-25°C to +70°C (-13°F to +158°F)
RATED OPERATIONAL VOLTAGE	10-55 VDC
RIPPLE	≤ 10%
RATED OPERATIONAL CURRENT	≤ 100 mA
MAX. OFF STATE (LEAKAGE) CURRENT	≤ 0.6 mA
MAX. SWITCHING FREQUENCY	≤ 1 kHz
RATED INSULATION VOLTAGE	≤ 0.5 kV
SHORT-CIRCUIT PROTECTED	YES, CYCLIC
MAX. VOLTAGE DROP	≤ 3.5 V
CABLE	φ4, LIFYY, PVC, 2 METERS
VIBRATION	55 Hz, 1 mm AMPLITUDE (IN ALL 3 PLANES)
SHOCK	30 g, 11 ms
ENCLOSURE	EC IP67
SWITCHING STATUS INDICATION	LED: YELLOW
OUTPUT FUNCTION	2-WIRE, NORMALLY OPEN



NOTES:

1. MATERIALS:

BARREL - METAL, A2 1.4301 (AISI 304)
 LOCKNUTS - STAINLESS STEEL
 LOCKWASHERS - STAINLESS STEEL
 SENSING FACE - PA12-CF2D PLASTIC

RELATED DOCUMENTS 1. 2. 3. 4.	3RD ANGLE PROJECTION	THIS DRAWING IS PROPERTY OF TURCK INC. USE OF THIS DOCUMENT WITHOUT WRITTEN PERMISSION IS PROHIBITED.		 High Technology Sensors and Automation Controls		
	TOLERANCES UNLESS OTHERWISE SPECIFIED	DRFT	RDS			DATE 12/29/03
SEE NOTES	.X ±0.02 .XX ±0.01 .XXX ±0.005 ANGLES ±1°	USDR	BT	SCALE 1 = 1.5	BI 2-EG08-AG41X	
FINISH	ALL MILLIMETER DIMENSIONS ARE REFERENCE ONLY	UNIT OF MEASUREMENT INCH [MILLIMETER]		IDENTIFICATION NO.	REV	
SEE NOTES		DO NOT SCALE THIS DRAWING		S4562000	A	
A	DRAWING RELEASE	RDS	12/29/03			
REV	DESCRIPTION	BY	DATE	EDD NO.	FILE: S4562000	SHEET 1 OF 1