

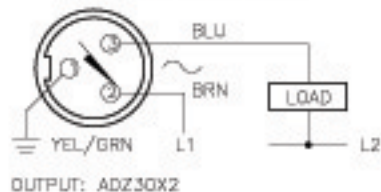


Housing Style	Part Number	ID Number	Features	Sensing Range (mm)	Output
<b>30 mm - Embeddable, minifast® Connection</b> 	Bi 10-G30-AN6X-B1141	T4695400		10	3-Wire DC NPN
	Bi 10-G30-AP6X-B1141	T4696500		10	3-Wire DC PNP
<b>30 mm - Embeddable, minifast Right Angle Connection</b> 	Bi 10-G30-AN6X-B1441	T4695800		10	3-Wire DC NPN
	Bi 10-G30-AP6X-B1441	T4696900		10	3-Wire DC PNP
<b>30 mm - Embeddable, minifast Connection</b> 	Bi 10-G30-ADZ30X2-B1131	T4207500		10	2-Wire AC/DC Short-Circuit Protected
	Bi 10U-G30-ADZ30X2-B1131	M4281612	<i>Uprox</i>	10	
	Bi 15-EG30H-ADZ30X2-B1131	T4207292	<i>Extended Range</i>	15	
	Bi 15-G30-ADZ30X2-B1131	T4207202	<i>Extended Range</i>	15	
	Bi 10-G30-AZ3X-B1131	T4372200			10
<b>30 mm - Embeddable, minifast Connection</b> 	Bi 10-EG30-AZ3X-B1131/S120	M4372202	<i>High Temp. +120° C</i>	10	2-Wire AC/DC

Voltage	Switching Freq. (Hz)	Operating Current (mA) VAC/VDC	Operating Temp. (°C)	Protection	Housing	Face	Power LED	Output LED	Mating Cordset	Wiring Diagram #	Wiring Diagrams
10-30 VDC	500	≤200	-25 to +70	IP 67	CPB	PA 12	N/A	YE	RKM 40-*M	1	<p><b>Diagram 1</b></p>
10-30 VDC	500	≤200	-25 to +70	IP 67	CPB	PA 12	N/A	YE	RKM 40-*M	2	<p><b>Diagram 2</b></p>
10-30 VDC	500	≤200	-25 to +70	IP 67	CPB	PA 12	N/A	YE	RKM 40-*M	1	<p><b>Diagram 3</b></p>
20-250 VAC 10-300 VDC	20	≤400/300	-25 to +70	IP 67	CPB	PA 12	GN	RD	RKM 30-*M	3	
	20	≤400/300	-30 to +85	IP 67	CPB	PA 12	GN	YE	RKM 30-*M	3	
	20	≤400/300	-25 to +70	IP 67	SS	SF	GN	RD	RKV 30-*M	3	
	20	≤400/300	-25 to +70	IP 67	CPB	PA 12	GN	RD	RKM 30-*M	3	
20-250 VAC 10-300 VDC	20	≤400/300	-25 to +70	IP 67	CPB	PA 12	N/A	RD	RKM 30-*M	3	
20-250 VAC 10-300 VDC	20	≤400/300	-25 to +120	IP 67	CPB	PTFE	N/A	YE	2M/PTFE	3	

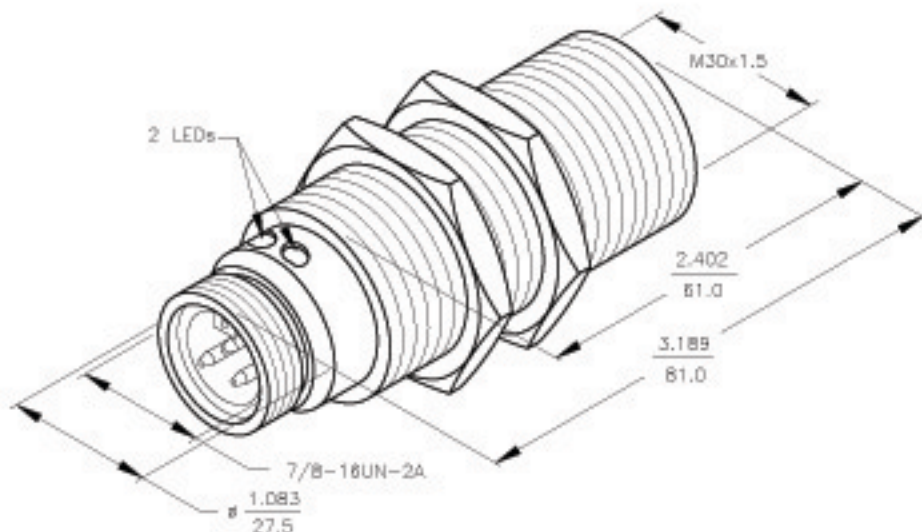
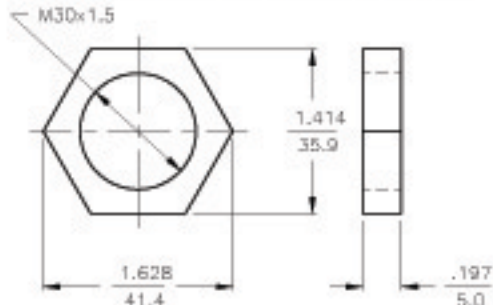
\* Length in meters.

### WIRING DIAGRAMS



SHORT-CIRCUIT AND OVERLOAD PROTECTED

### STAINLESS STEEL M30 LOCKNUT



### SPECIFICATIONS

OPERATING VOLTAGE	20-250 VAC 10-300 VDC
LINE FREQUENCY	40-60 Hz
DIFFERENTIAL TRAVEL (HYSTERESIS)	3-15% (5% TYPICAL)
VOLTAGE DROP ACROSS CONDUCTING SENSOR	≤ 6.0 V at 400 mA
OUTPUT FUNCTION -ADZ	NORMALLY OPEN 2-WIRE AC/DC SELF-CONTAINED
SHORT-CIRCUIT PROTECTED	YES
TRIGGER CURRENT FOR OVERLOAD PROTECTION	≥ 440 mA
CONTINUOUS LOAD CURRENT	400 mA AC MAX. 400 mA DC MAX.
OFF-STATE (LEAKAGE) CURRENT	≤ 1.7 mA
MINIMUM LOAD CURRENT	≥ 3.0 mA
INRUSH CURRENT	≤ 4.0 A (≤ 20 ms/5 Hz)
TIME DELAY BEFORE AVAILABILITY	≤ 120 ms
POWER-ON EFFECT PROTECTION	INCORPORATED
PROTECTION AGAINST TRANSIENTS	EN 60947-5-2
OPERATING TEMPERATURE	-25°C to +70°C (±10% DRIFT) -30°C to +85°C (±15% DRIFT)
ENCLOSURE	MEETS NEMA 1, 3, 4, 6, 13 AND IEC IP67
SHOCK	30 g, 11 ms
VIBRATION	55 Hz, 1 mm AMPLITUDE (IN ALL 3 PLANES)
LED FUNCTION	GREEN = POWER ON GREEN FLASHING = SHORT-CIRCUIT WARNING YELLOW = OUTPUT EMERGED
RATED OPERATING DISTANCE(S <sub>n</sub> )	10 mm = .394" (NOMINAL)
SWITCHING FREQUENCY	60 Hz
REPEATABILITY	≤ 2% of RATED OPERATING DISTANCE
MATING PLUGS/CABLES	3-PIN "MINIFAST" CONSTRUCTION

#### NOTES:

1. WELD FIELD IMMUNE. SENSORS IS SUITABLE FOR USE ON RESISTANCE WELDING MACHINES.

RELATED DOCUMENTS 1. 2. 3. 4.	3RD ANGLE PROJECTION 	THIS DRAWING IS PROPERTY OF TURCK INC. USE OF THIS DOCUMENT WITHOUT WRITTEN PERMISSION IS PROHIBITED.		<b>TURCK INC</b> High Technology Sensors and Automation Controls	
	MATERIAL BRASS BARREL	TOLERANCES UNLESS OTHERWISE SPECIFIED .X ±0.02 .XX ±0.01 .XXX ±0.005 ANGLES ±1° ALL MILLIMETER DIMENSIONS ARE REFERENCE ONLY	DWGT IK USDR	DATE 12/30/96 SCALE NONE	DESCRIPTION BI10U-G30-ADZ30X2-B1131
FINISH COPPER/NICKEL/ CHROME PLATING		UNIT OF MEASUREMENT <b>INCH [ MILLIMETER ]</b>		IDENTIFICATION NO. M4281612	REV A
A DRAWING RELEASE	RDS 09/12/03	DO NOT SCALE THIS DRAWING		FILE: M4281612	SHEET 1 OF 1
REV DESCRIPTION	BY DATE EDD NO.				