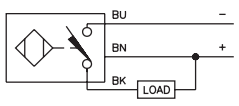
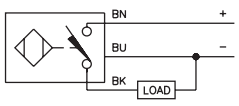
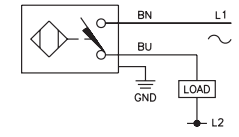
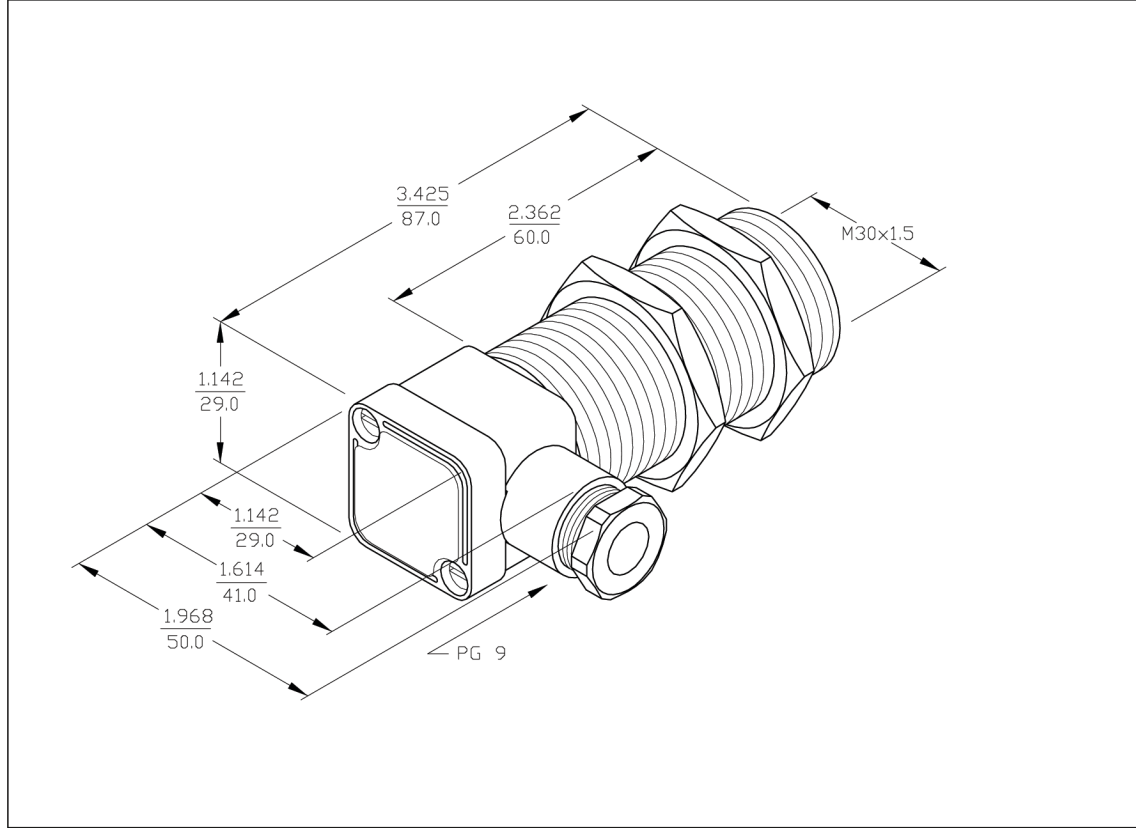
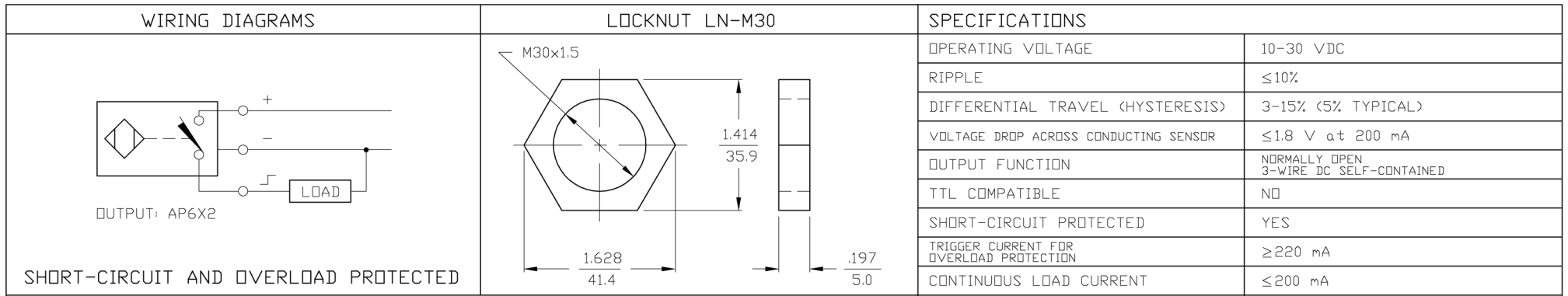


# Inductive Sensors



Housing Style	Part Number	ID Number	Features	Sensing Range (mm)	Output
<b>30 mm - Embeddable, Terminal Chamber</b> 	Bi10-G30SK-AN6X2	T4648500		10	3-Wire DC NPN
	Bi10U-EG30SK-AN6X	M1636420	<i>Uprox</i>	10	
	Bi10-G30SK-AP6X2	T4648400		10	3-Wire DC PNP
	Bi10U-EG30SK-AP6X	M1636400	<i>Uprox</i>	10	
	Bi10-G30SK-AZ3X2	T4346400		10	2-Wire AC/DC
	<b>30 mm - Nonembeddable, Terminal Chamber</b> 	Ni15-G30SK-AN6X2	T4648700		15
Ni20U-EG30SK-AN6X		M1646420	<i>Uprox</i>	20	
Ni15-G30SK-AP6X2		T4648600		15	3-Wire DC PNP
Ni20U-EG30SK-AP6X		M1646400	<i>Uprox</i>	20	
Ni15-G30SK-AZ3X2		T4346500		15	2-Wire AC/DC

Voltage	Switching Freq. (Hz)	Operating Current (mA)	Operating Temp. (°C)	Protection	Housing	Face	End Cap	Power LED	Output LED	Cable Length/ Cable Mat.	Wiring Diagram #	Wiring Diagrams
10-30 VDC	500	≤200	-25 to +70	IP 67	CPB	PA 12	N/A	GN	YE	- - - -	1	<div style="background-color: #e0f2f1; padding: 5px; margin-bottom: 5px;"><b>Diagram 1</b></div>  <div style="background-color: #e0f2f1; padding: 5px; margin-bottom: 5px;"><b>Diagram 2</b></div>  <div style="background-color: #ffe0b2; padding: 5px; margin-bottom: 5px;"><b>Diagram 3</b></div> 
	2000	≤200	-30 to +85	IP 68	SS	PA 12	N/A	N/A	YE	- - - -	1	
10-30 VDC	500	≤200	-25 to +70	IP 67	CPB	PA 12	N/A	GN	YE	- - - -	2	
	2000	≤200	-30 to +85	IP 68	SS	PA 12	N/A	N/A	YE	- - - -	2	
20-250 VAC 10-300 VDC	20	≤400/300	-25 to +70	IP 67	CPB	PA 12	N/A	GN	RD	- - - -	3	
	10-30 VDC	500	≤200	-25 to +70	IP 67	CPB	PA 12	N/A	GN	YE	- - - -	
1500		≤200	-30 to +85	IP 68	SS	PA 12	N/A	N/A	YE	- - - -	1	
10-30 VDC	500	≤200	-25 to +70	IP 67	CPB	PA 12	N/A	GN	YE	- - - -	2	
	1500	≤200	-30 to +85	IP 68	SS	PA 12	N/A	N/A	YE	- - - -	2	
20-250 VAC 10-300 VDC	20	≤400/300	-25 to +70	IP 67	CPB	PA 12	N/A	GN	RD	- - - -	3	



OFF-STATE (LEAKAGE) CURRENT	<10 μA
NO-LOAD CURRENT	5.5-9.5 mA
TIME DELAY BEFORE AVAILABILITY	≤8 ms
POWER-ON EFFECT PROTECTION	INCORPORATED
REVERSE POLARITY PROTECTION	INCORPORATED
WIRE-BREAK PROTECTION	INCORPORATED
PROTECTION AGAINST TRANSIENTS	2 kV, 1 ms, 1 kΩ
OPERATING TEMPERATURE	-25°C to +70°C (-13°F to +158°F)
ENCLOSURE	MEETS NEMA 1, 3, 4, 6, 13 AND IEC IP67
SHOCK	30 g, 11 ms
VIBRATION	55 Hz, 1 mm AMPLITUDE (IN ALL 3 PLANES)
LED FUNCTION	GREEN: POWER ON RED: OUTPUT ENERGIZED
SENSING RANGE	10 mm = .394" (NOMINAL)
SWITCHING FREQUENCY	500 Hz
REPEATABILITY	≤2% of NOMINAL SENSING RANGE
EMBEDDABLE (SHIELDED)	YES

MATERIAL <b>BRASS BARREL</b>		3RD ANGLE PROJECTION 		<b>TURCK INC</b>	
FINISH COPPER/NICKEL CHROME PLATING		PART NO. <b>Bi10-G30SK-AP6X2</b>			
DRWN <b>GMB</b>	DATE <b>3/7/88</b>				
CHKD	DATE	SIZE <b>B</b>		ID NO. <b>4648400</b>	REV <b>A</b>
DIMENSIONS ARE IN <b>INCHES</b> mm		SCALE <b>NONE</b>		SHEET <b>DF</b>	

A	SEE REVISION DOCUMENT G30SKANG	SWC	9/9/93		
REV	DESCRIPTION	DRFT	DATE	CHKD	
REVISIONS					